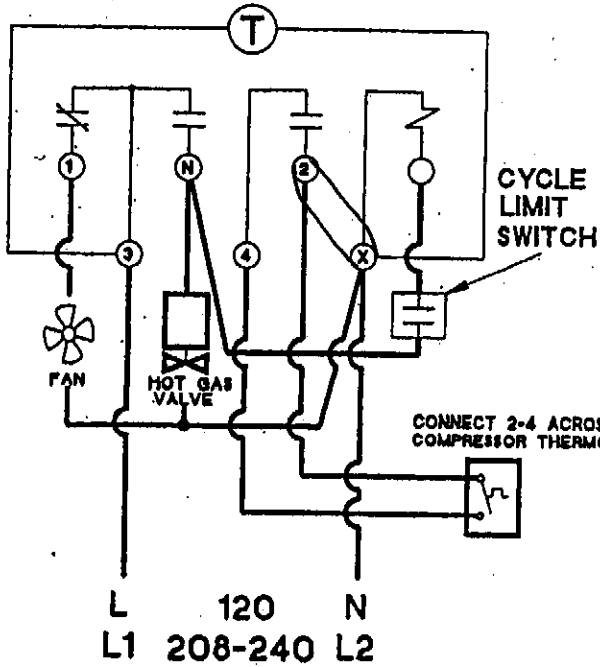


Models 8143-00 and 8143-20



Wiring using 120V or 240V single phase hot gas solenoid valve voltage common timer. Refrigeration Cycle: Fan ON, hot solenoid valve closed, compressor ON. Defrost Cycle: Fan OFF, hot gas solenoid valve closed, compressor ON.

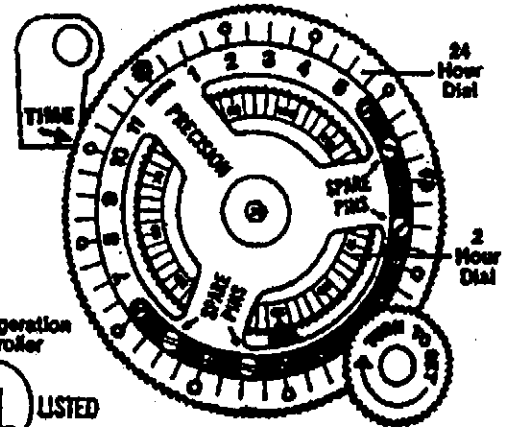
REFRIGERATION DEFROST CONTROL

MODEL 8143-20

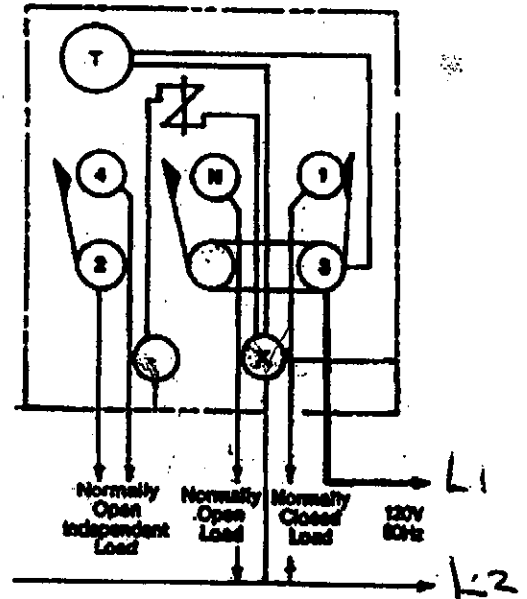
CONTACT RATING
40 Amps Res.
2 Hp
690 VA Pilot Duty
208-240 VAC

TIMING MOTOR
208-240V 60Hz · 15VA Input

1152



Refrigeration Controller



TO SET: Screw pins into dial at time defrost is desired. (Four hours minimum time between pins.)

Depress and rotate bronze pointer on inner dial to the length of defrost desired.

Rotate small knob clockwise until time of day on large dial is opposite time pointer.

TO WIRE: Wire according to wiring diagram and conform to wiring codes.

PRECISION

PRECISION MULTIPLE CONTROLS INC.

33 GREENWOOD AVE. MIDLAND PARK, NJ 07432 • (201) 444-0500

CANADA 3209 LENOX DRIVE, UNIT 1, MISSISSAUGA, ONTARIO (L4X2N1) (416) 625-6225

close on Rise