



Crystal™ Merchandiser RVMC24D Deep Hybrid™ Specs

Medium Temp Deep Hybrid™ Reach-Ins with 24" x 74" Doors

PHYSICAL DATA	R-404A Refrigerant				R-448A Refrigerant			
	2-Door (4')	3-Door (6')	4-Door (8')	6-Door (12')	2-Door (4')	3-Door (6')	4-Door (8')	6-Door (12')
Facings (ft. ²)	23.7	35.2	46.7	69.8	23.7	35.2	46.7	69.8
Packout (ft. ³) 27" Shelves	53.0	78.8	104.8	156.5	53.0	78.8	104.8	156.5
Weight (lbs.)*	775	933	1,020	1,254	775	933	1,020	1,254

* Does not include weight of condensing unit. Weights include 2 end panels at 54 lbs. per pair.

REFRIGERATION	R-404A Refrigerant				R-448A Refrigerant			
	Refrigerant Charge (lbs.) ¹	4.0	4.0	6.0	6.2	4.0	4.0	6.0
Zero Zone Condensing Unit #	69-10042	69-10043	69-10044	69-10045	69-9933	69-9934	69-9935	69-9936
Condensing Unit Crated Weight (lbs.)	61	69	66	120	61	69	66	120

ELECTRICAL DATA ^{2, 3, 4}	With Condensate Evaporator System				With Condensate Evaporator System			
	MOCP (amps) ⁵	15	15	15	15	15	15	15
MCA (amps) ⁶	7.3	12.9	10.8	12.0	7.3	12.9	10.8	12.0

ENERGY DATA ²	With Condensate Evaporator System				With Condensate Evaporator System			
	Daily Energy Use (kWh)	5.7	10.1	10.1	15.6	5.2	9.3	9.4
Rejected Heat (Btuh) ⁷	815	1,429	1,441	2,223	743	1,319	1,334	2,064

ELECTRICAL DATA ^{2, 3, 4}	Without Condensate Evaporator System				Without Condensate Evaporator System			
	MOCP (amps) ⁵	15	15	15	15	15	15	15
MCA (amps) ⁶	5.7	9.1	7.1	9.1	5.7	9.1	7.1	9.1

ENERGY DATA ²	Without Condensate Evaporator System				Without Condensate Evaporator System			
	Daily Energy Use (kWh)	5.5	9.8	9.7	15.0	5.0	9.0	9.0
Rejected Heat (Btuh) ⁷	786	1,386	1,384	2,137	714	1,276	1,276	1,979

Notes:

1. Refrigerant charge includes combined condensing unit and case charges.
2. Data based on Zero Zone ChillBrite™ 4 LED lighting, Zero Zone CoolView Ultra™ French doors, and SSC electronic fan motors. See separate reach-in case spec sheets for additional details: RVMC24D.
3. 208V 4-wire service; 115/208V-1PH-60HZ; red & black power, white neutral, green ground. Buck/boost transformer available for low voltage conditions.
4. Optional main service disconnect is available upon request.
5. MOCP = Maximum over-current protection.
6. MCA = Minimum current amps.
7. Adequate ventilation must be provided to dissipate rejected heat from the top of the unit for proper performance. Clearance of less than 30" above the top of the shroud to the ceiling requires special design considerations. See Zero Zone Hybrid™ Installation & Operation Manual for specific details.

Factory-Installed Hybrid™ Features:

- Refrigeration piping with quick-connect couplings and refrigerant charge.
- Pre-wired and labeled for easy connection.
- Electronic control includes: time clock, temperature and defrost control, and visual and audible temperature alarm. Optional network communication capability is available upon request.

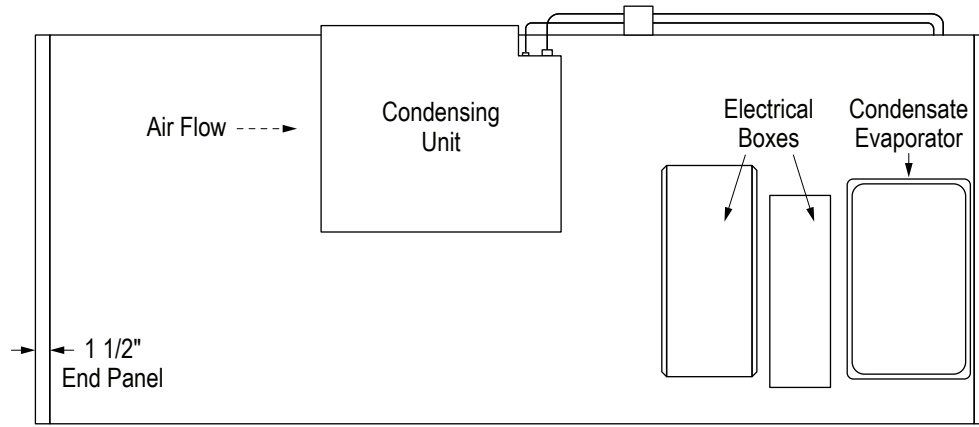
Field-Installed Hybrid™ Features:

- 20 1/4" tall aluminum shroud (front and sides standard, rear optional). Consult factory for other options.
- Condensing unit with quick-connect threaded couplings.
- Condensate evaporator system: collection pan, pump, float switch, condensate dissipation pan with heater element, and connecting tubing.



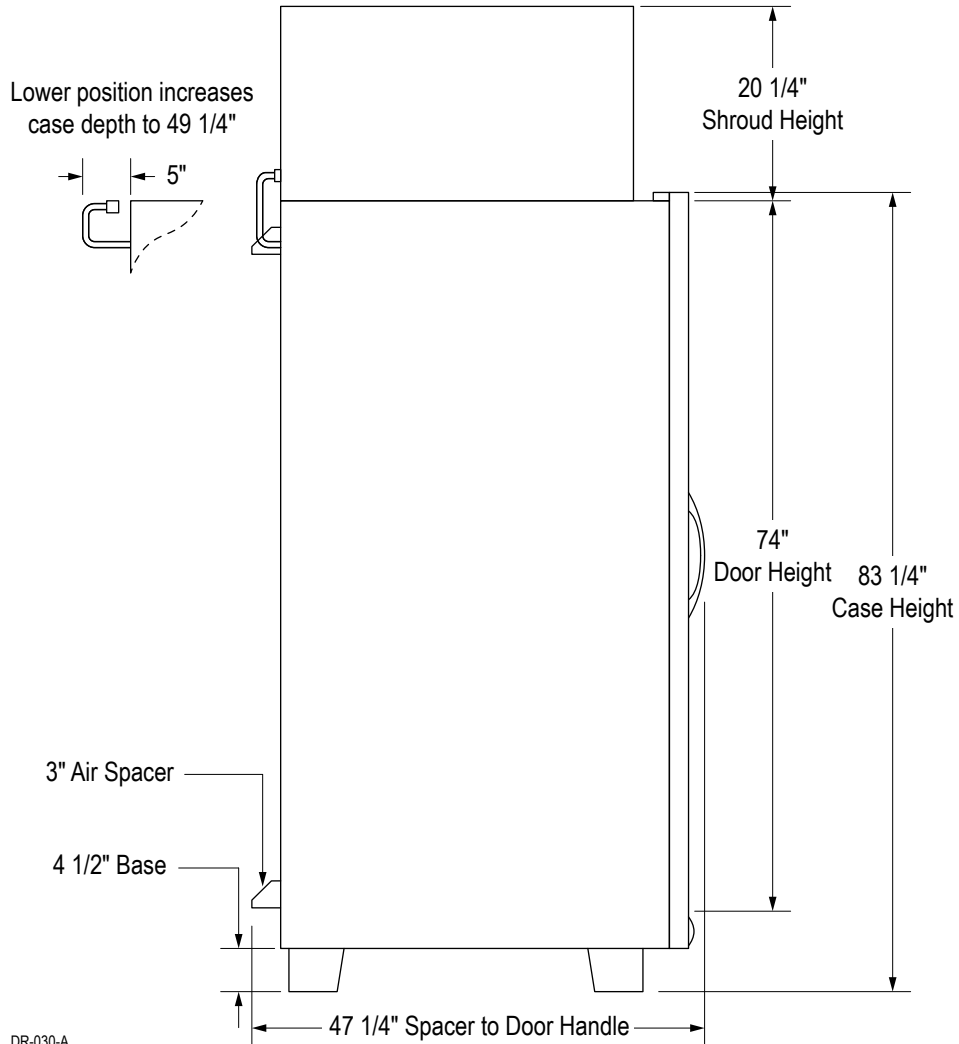
Crystal™ Merchandiser RVMC24D Deep Hybrid™ Specs

Medium Temp Deep Hybrid™ Reach-Ins with 24" x 74" Doors



DR-029-A

# of Doors	Length	w/ 2 End Panels
2	48 1/8"	51 1/8"
3	72 1/4"	75 1/4"
4	96 1/4"	99 1/4"
6	143 7/8"	146 7/8"



DR-030-A

4/26/18

Specifications are subject to change without notice. All dimensions are nominal.
Case designed to operate in an ambient temperature of 75°F and relative humidity of 55% or lower.

CRYSTAL™
MERCHANDISER

Zero Zone, Inc. | 110 N Oakridge Drive | North Prairie, WI 53153-9792
Toll Free: 800-247-4496 | Fax: 262-392-6450
www.zero-zone.com

© 2018 Zero Zone, Inc.



Intertek