



Highlight™ Merchandiser 1RHCC30 & 1RHZC30 Hybrid™ Specs

1-Door Medium and Low Temp Hybrid™ Reach-Ins with 30" x 68" Doors

PHYSICAL DATA	R-404A Refrigerant		R-448A Refrigerant	
	1-Door Medium Temp	1-Door Low Temp	1-Door Medium Temp	1-Door Low Temp
Facings (ft. ²)	14.1	14.1	14.1	14.1
Packout (ft. ³) 24" Shelves	27.9	27.9	27.9	27.9
Weight (lbs.)*	532	532	532	532

* Does not include weight of condensing unit. Weights include 2 end panels at 60 lbs. per pair.

REFRIGERATION	R-404A Refrigerant		R-448A Refrigerant	
	Refrigerant Charge (lbs.) ¹	3.0	3.5	3.0
Zero Zone Condensing Unit #	69-10042	69-10047	69-9933	69-9969
Condensing Unit Crated Weight (lbs.)	61	115	61	115

ELECTRICAL DATA ^{2, 3, 4}	With Condensate Evaporator System		With Condensate Evaporator System	
	MOCP (amps) ⁵	15	20	15
MCA (amps) ⁶	8.5	13.8	8.5	13.8

ENERGY DATA ²	With Condensate Evaporator System		With Condensate Evaporator System	
	Daily Energy Use (kWh)	4.0	10.9	3.7
Rejected Heat (Btuh) ⁷	562	1,553	520	1,524

ELECTRICAL DATA ^{2, 3, 4}	Without Condensate Evaporator System		Without Condensate Evaporator System	
	MOCP (amps) ⁵	15	15	15
MCA (amps) ⁶	6.5	11.8	6.5	11.8

ENERGY DATA ²	Without Condensate Evaporator System		Without Condensate Evaporator System	
	Daily Energy Use (kWh)	3.9	10.7	3.5
Rejected Heat (Btuh) ⁷	548	1,525	504	1,495

Notes:

1. Refrigerant charge includes combined condensing unit and case charges.
2. Data based on Zero Zone ChillBrite™ 5 LED lighting, Zero Zone CoolView Envision™ doors, and SSC electronic fan motors. See separate reach-in case spec sheets for additional details: 1RHCC30 & 1RHZC30.
3. 115V 3-wire service; 115V-1PH-60HZ; black power, white neutral, green ground. Buck/boost transformer available for low voltage conditions.
4. Optional main service disconnect is available upon request.
5. MOCP = Maximum over-current protection.
6. MCA = Minimum current amps.
7. Adequate ventilation must be provided to dissipate rejected heat from the top of the unit for proper performance. Clearance of less than 30" above the top of the shroud to the ceiling requires special design considerations. See Zero Zone Hybrid™ Installation & Operation Manual for specific details.

Factory-Installed Hybrid™ Features:

- Refrigeration piping with quick-connect couplings and refrigerant charge.
- Pre-wired and labeled for easy connection.
- Electronic control includes: time clock, temperature and defrost control, and visual and audible temperature alarm. Optional network communication capability is available upon request.

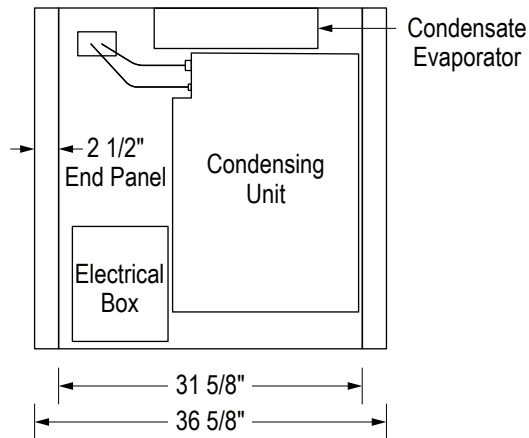
Field-Installed Hybrid™ Features:

- 20 1/4" tall aluminum shroud (front and sides standard, rear optional). Consult factory for other options.
- Condensing unit with quick-connect threaded couplings.
- Condensate evaporator system: collection pan, pump, float switch, condensate dissipation pan with heater element, and connecting tubing.

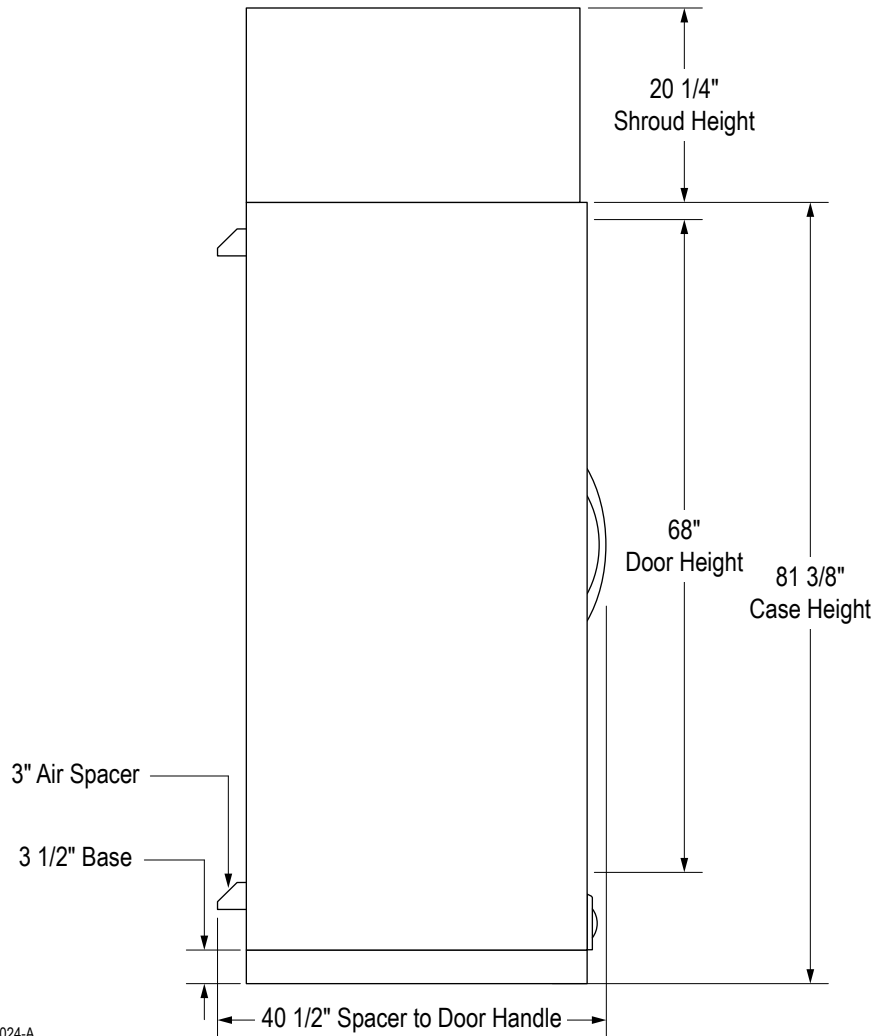


Highlight™ Merchandiser 1RHCC30 & 1RHZC30 Hybrid™ Specs

1-Door Medium and Low Temp Hybrid™ Reach-Ins with 30" x 68" Doors



DR-017-A



DR-024-A

4/13/18

Specifications are subject to change without notice. All dimensions are nominal.
Case designed to operate in an ambient temperature of 75°F and relative humidity of 55% or lower.



Zero Zone, Inc. | 110 N Oakridge Drive | North Prairie, WI 53153-9792
Toll Free: 800-247-4496 | Fax: 262-392-6450
www.zero-zone.com

© 2018 Zero Zone, Inc.



Intertek