



# Crystal™ Merchandiser RVLC30 Hybrid™ Specs

Low Temp Hybrid™ Reach-Ins with 30" x 74" Doors

PHYSICAL DATA	R-404A Refrigerant				R-448A Refrigerant			
	2-Door	3-Door	4-Door	5-Door	2-Door	3-Door	4-Door	5-Door
Facings (ft. <sup>2</sup> )	28.4	42.3	56.3	70.2	28.4	42.3	56.3	70.2
Packout (ft. <sup>3</sup> ) 22" Shelves	51.5	76.7	101.9	127.1	51.5	76.7	101.9	127.1
Weight (lbs.)*	755	1,055	1,420	1,800	755	1,055	1,420	1,800

\* Does not include weight of condensing unit. Weights include 2 end panels at 60 lbs. per pair.

REFRIGERATION	R-404A Refrigerant				R-448A Refrigerant			
	Refrigerant Charge (lbs.) <sup>1</sup>	6.2	6.4	8.4	9.4	5.9	6.0	6.5
Zero Zone Condensing Unit #	69-9679	69-9679	69-9681	69-9681	69-9930	69-9970	69-9970	69-9970
Condensing Unit Crated Weight (lbs.)	150	150	180	180	163	166	166	166

ELECTRICAL DATA <sup>2, 3, 4</sup>	With Condensate Evaporator System				With Condensate Evaporator System			
	MOCP (amps) <sup>5</sup>	25	25	40	40	20	35	35
MCA (amps) <sup>6</sup>	19.3	21.8	27.8	32.2	16.6	24.6	27.0	32.2

ENERGY DATA <sup>2</sup>	With Condensate Evaporator System				With Condensate Evaporator System			
	Daily Energy Use (kWh)	22.4	33.2	41.9	52.1	23.8	32.3	42.6
Rejected Heat (Btuh) <sup>7</sup>	3,179	4,726	5,964	7,410	3,382	4,598	6,059	7,529

ELECTRICAL DATA <sup>2, 3, 4</sup>	Without Condensate Evaporator System				Without Condensate Evaporator System			
	MOCP (amps) <sup>5</sup>	25	25	40	40	20	35	35
MCA (amps) <sup>6</sup>	16.6	18.1	26.8	28.2	13.6	23.2	24.6	26.0

ENERGY DATA <sup>2</sup>	Without Condensate Evaporator System				Without Condensate Evaporator System			
	Daily Energy Use (kWh)	22.0	32.6	41.1	51.1	23.4	31.7	41.8
Rejected Heat (Btuh) <sup>7</sup>	3,122	4,641	5,849	7,267	3,325	4,512	5,945	7,386

**Notes:**

1. Refrigerant charge includes combined condensing unit and case charges.
2. Data based on Zero Zone ChillBrite™ 4 LED lighting, Zero Zone CoolView Ultra™ doors, and SSC electronic fan motors. See separate reach-in case spec sheets for additional details: RVLC30.
3. 208V 4-wire service; 115/208V-1PH-60HZ; red & black power, white neutral, green ground. Buck/boost transformer available for low voltage conditions.
4. Optional main service disconnect is available upon request.
5. MOCP = Maximum over-current protection.
6. MCA = Minimum current amps.
7. Adequate ventilation must be provided to dissipate rejected heat from the top of the unit for proper performance. Clearance of less than 30" above the top of the shroud to the ceiling requires special design considerations. See Zero Zone Hybrid™ Installation & Operation Manual for specific details.

**Factory-Installed Hybrid™ Features:**

- Refrigeration piping with quick-connect couplings and refrigerant charge.
- Pre-wired and labeled for easy connection.
- Electronic control includes: time clock, temperature and defrost control, and visual and audible temperature alarm. Optional network communication capability is available upon request.

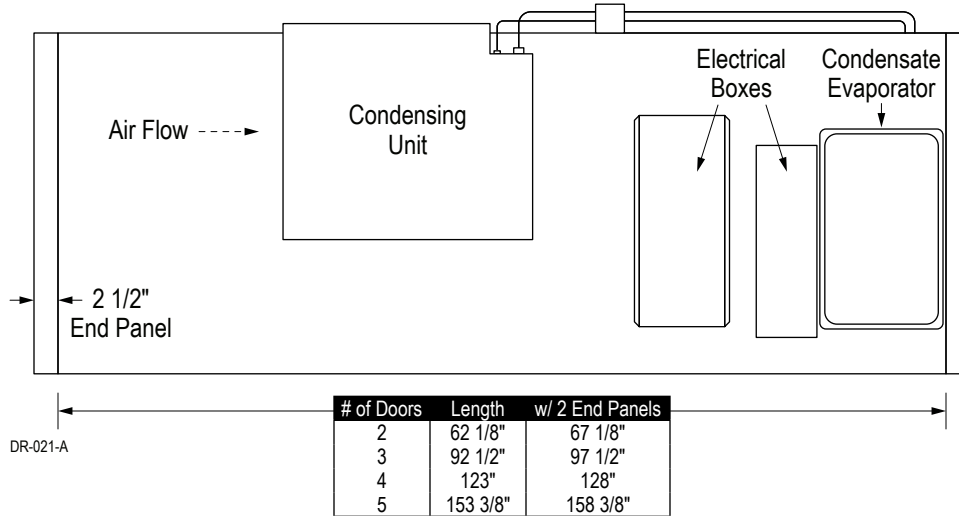
**Field-Installed Hybrid™ Features:**

- 20 1/4" tall aluminum shroud (front and sides standard, rear optional). Consult factory for other options.
- Condensing unit with quick-connect threaded couplings.
- Condensate evaporator system: collection pan, pump, float switch, condensate dissipation pan with heater element, and connecting tubing.

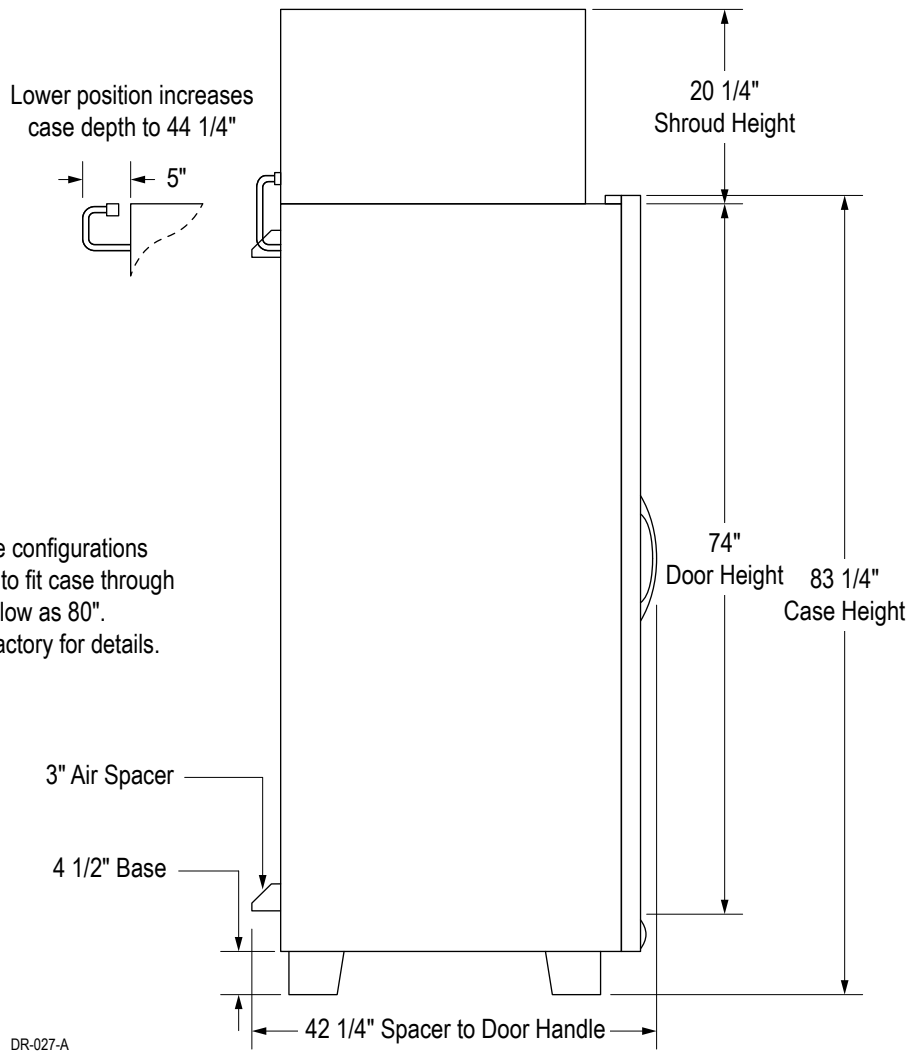


# Crystal™ Merchandiser RVLC30 Hybrid™ Specs

Low Temp Hybrid™ Reach-Ins with 30" x 74" Doors



DR-021-A



Optional base configurations are available to fit case through doorways as low as 80". Consult the factory for details.

DR-027-A

4/20/18

Specifications are subject to change without notice. All dimensions are nominal.  
Case designed to operate in an ambient temperature of 75°F and relative humidity of 55% or lower.

**CRYSTAL**™  
MERCHANDISER

Zero Zone, Inc. | 110 N Oakridge Drive | North Prairie, WI 53153-9792  
Toll Free: 800-247-4496 | Fax: 262-392-6450  
www.zero-zone.com

© 2018 Zero Zone, Inc.



Intertek