



Highlight Merchandiser® RHZC30IM Ice Merchandiser Specs

Low Temp Ice Merchandiser Reach-Ins with 30" x 68" Doors

ENERGY DATA

Refrigeration	
(see note #1 for components included in baseline Btuh)	
Evaporator Temperature (°F)	0
Baseline Btuh ^{1,2}	990
Discharge Air Temp. (°F) (w/ 8°F Superheat)	4

INDIVIDUAL CASE DATA (Includes 1 Pair of End Panels)					
Ice Merchandiser					
1-Door		2-Door		3-Door	
Evaporator Temperature (°F)		0		0	
Baseline Btuh ^{1,2}		990		2,670	
Discharge Air Temp. (°F) (w/ 8°F Superheat)		4		4	
Fan Motors (115V) ^{3,4}		Amps		Watts	
High Efficiency Electronic (SSC/ECM)		0.30		20	
Lighting System (120V) (other LED options available)		Amps		Watts	
LED Lighting (Zero Zone ChillBrite™ 5)		0.15		18	
Anti-Sweat Door Heaters (115V) ⁵		Amps		Watts	
Standard-Energy Doors (Zero Zone CoolView™ Envision™)		0.72		83	
Defrost Heaters (1-Door 120V; 2- & 3-Door 208V) ^{6,7}		Amps		Watts	
Single Phase (120V/1/60Hz or 208V/1/60Hz)		9.10		1,047	

Notes:

1. Baseline Evaporator Btuh based on parallel rack system, LED lighting (Zero Zone ChillBrite™ 5), standard-energy doors (Zero Zone CoolView™ Envision™), and SSC electronic fan motors.
2. For condensing units (non-rack system), multiply total Btuh rating by 1.06.
3. Amps are based on electrical nameplate values; watts are based on laboratory observations of actual energy use.
4. One fan motor per door.
5. Door Option: Standard-Energy = heated glass and rails.
6. Electric Defrost: 1 per day. Defrost termination temperature setting is 50°F. Failsafe time is 55 minutes. Refer to the Installation & Operation Manual for details.
7. Hot Gas Defrost: 1 per day. Defrost termination temperature setting is 65°F. Failsafe time is 30 minutes. Refer to the Installation & Operation Manual for details.

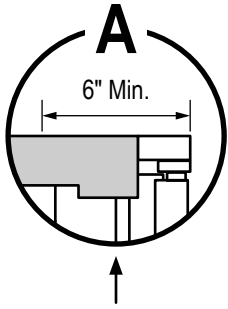
PHYSICAL DATA

Baseline R-404A Refrigeration Piping	Outlet Size (in.)	# of Doors	Weight (lbs.)	Case Capacity	
				Facings (ft. ²)	Packout (ft. ³) 24" Shelves
Suction Line O.D. (Refrig. OTB Piping)	1/2	1	532	14.1	27.9
Suction Line O.D. (Refrig. OTB Piping)	5/8	2	783	27.8	55.6
Liquid Line O.D. (Electric Defrost) (Refrig. OTB Piping)	1/4	3	1,033	41.4	82.9
Liquid Line O.D. (Electric Defrost) (Refrig. OTB Piping)	3/8	Solid End Panel	30	N/A	N/A

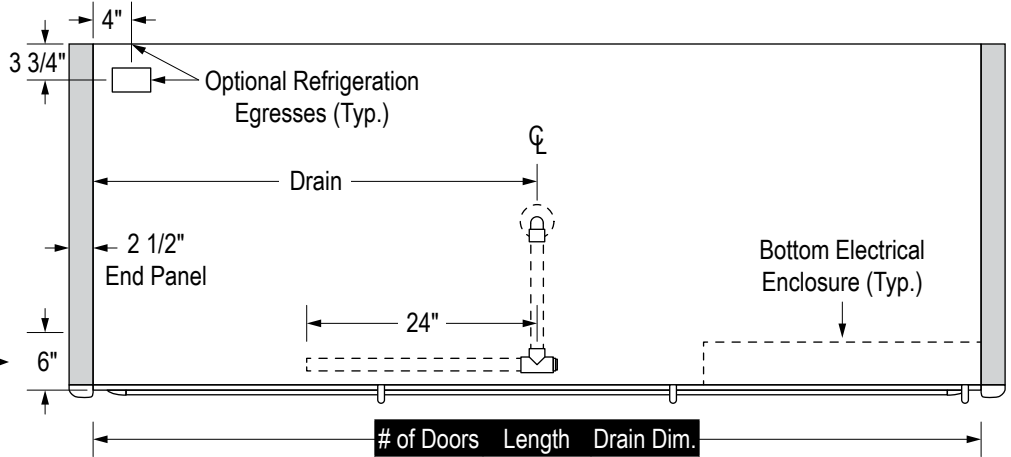


Highlight Merchandiser® RHZC30IM Ice Merchandiser Specs

Low Temp Ice Merchandiser Reach-Ins with 30" x 68" Doors

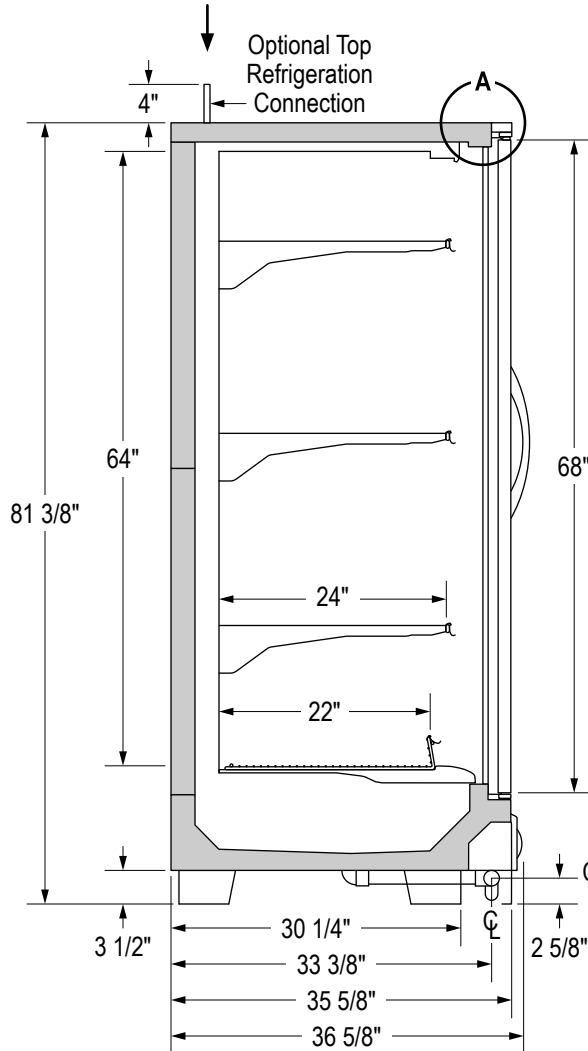


Building soffits must be set back at least 6" from the front of the doors to allow access to electrical wiring on the top of the case.



# of Doors	Length	Drain Dim.
1	31 5/8"	15 7/8"
2	62 1/8"	31"
3	92 1/2"	46 1/4"

Top refrigeration connections increase case height by up to 4".



Coil cover support posts, protective rear wall grid, and heavy duty bottom wire rack per door are included.

7/16/18

Specifications are subject to change without notice. All dimensions are nominal.
Case designed to operate in an ambient temperature of 75°F and relative humidity of 55% or lower.



Zero Zone, Inc. | 110 N Oakridge Drive | North Prairie, WI 53153-9792
Toll Free: 800-247-4496 | Fax: 262-392-6450
www.zero-zone.com

© 2018 Zero Zone, Inc.



Intertek