

ZERO ZONE COOLVIEW™ DOORS

Options Manual



Table of Contents

■ Introduction	1
■ CoolView™ Door Options.....	2
■ CoolView™ Ultra™ Low Temp.....	4
■ CoolView™ Ultra™ Medium Temp.....	5
■ CoolView™ Envision™ Low Temp.....	6
■ CoolView™ Envision™ Medium Temp.....	7
■ Zero Zone Warranty	8

INTRODUCTION

Important User Information

Copyright © 2018 Zero Zone, Inc.

All rights reserved. No part of this manual may be reproduced, copied, or transmitted in any form or by any means including graphic, electronic, or mechanical methods or photocopying, recording, or information storage and retrieval systems without the written permission of the publisher, unless it is for the purchaser's personal use.

The information in this manual is subject to change without notice and does not represent a commitment on the part of Zero Zone. Zero Zone does not assume any responsibility for any errors that may appear in this manual. In no event will Zero Zone be liable for technical or editorial omissions made herein, nor for direct, indirect, special, incidental, or consequential damages resulting from the use or defect of this manual.

The information in this document is not intended to cover all possible conditions and situations that might occur. The end user must exercise caution and common sense when installing, using, or maintaining Zero Zone products. If any questions or problems arise, call Zero Zone at 800-247-4496.

Any change to a Zero Zone product made during the installation, start-up, or at any other time must be submitted in writing to Zero Zone for approval and be approved by Zero Zone in writing prior to commission. The product warranty is voided when any unapproved change is made to a Zero Zone product.

Manufacturer

Zero Zone, Inc.
Display Case Division

110 N Oakridge Dr • North Prairie, WI 53153 • 800-247-4496 • www.zero-zone.com

Intended Use

Zero Zone products are intended to be installed and used as described in this manual and other related Zero Zone literature, specifications, drawings, and data. Always install Zero Zone products on a level surface.

The information contained in this manual pertains to Zero Zone CoolView™ Doors, which include the following:

- Zero Zone CoolView™ Ultra™ Doors
- Zero Zone CoolView™ Envision™ Doors

COOLVIEW™ DOOR OPTIONS

ULTRA™ DOORS

Door Model	3074 LT	3074 MT	2474 MT
Case Model	RVLC30	RVMC30	RVMC24
Case Name	Crystal™ Merchandiser	Crystal™ Merchandiser	Crystal™ Merchandiser
Door Size	30" x 74"	30" x 74"	24" x 74"
Case Temp	Low Temp	Medium Temp	Medium Temp
Rail Construction	Aluminum/PVC	Aluminum/PVC	Aluminum/PVC
Gasket	Full Perimeter on Door	Vertical on Door, Horizontal on Case	Vertical on Door, Horizontal on Case
Glass Pack	<ul style="list-style-type: none"> ▪ 3-Pane ▪ Tempered Glass ▪ Argon-Fill ▪ Low-E Coating 	<ul style="list-style-type: none"> ▪ 2-Pane ▪ Tempered Glass ▪ Argon-Fill ▪ Low-E Coating 	<ul style="list-style-type: none"> ▪ 2-Pane ▪ Tempered Glass ▪ Argon-Fill ▪ Low-E Coating
Heated Glass	Yes	Optional	Optional
Heated Rails	Yes	Optional	Optional
High Heat Option*	<ul style="list-style-type: none"> ▪ With Controller for DOE Compliance 	<ul style="list-style-type: none"> ▪ Not Available 	<ul style="list-style-type: none"> ▪ Not Available
Available Handles	<ul style="list-style-type: none"> ▪ CoolArc™ 	<ul style="list-style-type: none"> ▪ CoolArc™ 	<ul style="list-style-type: none"> ▪ CoolArc™
Door/Handle Colors	<ul style="list-style-type: none"> ▪ Black ▪ Satin Silver 	<ul style="list-style-type: none"> ▪ Black ▪ Satin Silver 	<ul style="list-style-type: none"> ▪ Black ▪ Satin Silver

* Controller not required for international installations.

COOLVIEW™ DOOR OPTIONS

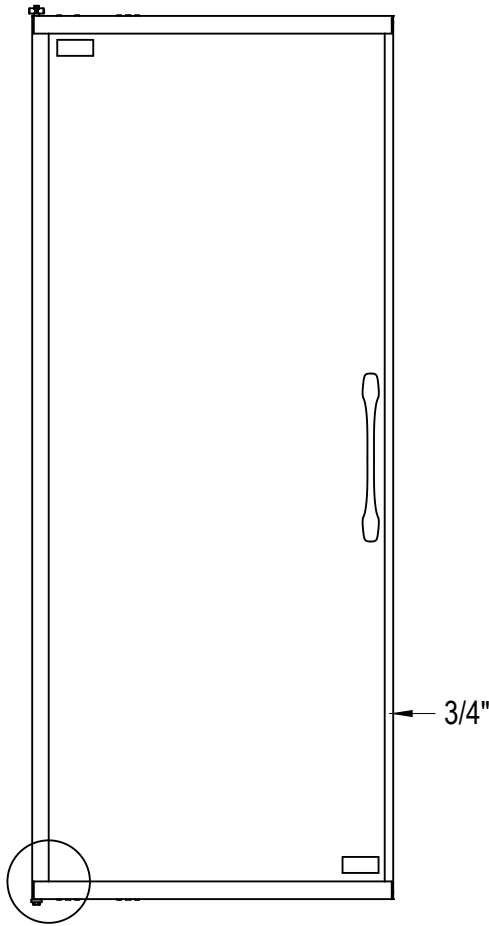
ENVISION™ DOORS

Door Model	3068 LT	3073 LT	3068 MT	3073 MT	2468 MT
Case Model	RHZC30	RHZC30T	RHCC30	RHCC30T	RHCC24
Case Name	Highlight™ Merchandiser	Highlight™ Merchandiser	Highlight™ Merchandiser	Highlight™ Merchandiser	Highlight™ Merchandiser
Door Size	30" x 68"	30" x 73"	30" x 68"	30" x 73"	24" x 68"
Case Temp	Low Temp	Low Temp	Medium Temp	Medium Temp	Medium Temp
Rail Construction	Aluminum	Aluminum	Aluminum	Aluminum	Aluminum
Gasket	Full Perimeter on Door	Full Perimeter on Door	Full Perimeter on Door	Full Perimeter on Door	Perimeter on 3 Sides of Door and Flap Gasket on Door-to-Door Side
Glass Pack	<ul style="list-style-type: none"> ■ 3-Pane ■ Tempered Glass ■ Argon-Fill ■ Low-E Coating 	<ul style="list-style-type: none"> ■ 3-Pane ■ Tempered Glass ■ Argon-Fill ■ Low-E Coating 	<ul style="list-style-type: none"> ■ 2-Pane ■ Tempered Glass ■ Argon-Fill ■ Low-E Coating 	<ul style="list-style-type: none"> ■ 2-Pane ■ Tempered Glass ■ Argon-Fill ■ Low-E Coating 	<ul style="list-style-type: none"> ■ 2-Pane ■ Tempered Glass ■ Argon-Fill ■ Low-E Coating
Heated Glass	Yes	Yes	No	No	No
Heated Rails	Yes	Yes	No	No	No
High Heat Option*	<ul style="list-style-type: none"> ■ With Controller for DOE Compliance 	<ul style="list-style-type: none"> ■ With Controller for DOE Compliance 	<ul style="list-style-type: none"> ■ With Controller for DOE Compliance ■ 3-Pane 	<ul style="list-style-type: none"> ■ With Controller for DOE Compliance ■ 3-Pane 	<ul style="list-style-type: none"> ■ With Controller for DOE Compliance ■ 3-Pane
Available Handles	<ul style="list-style-type: none"> ■ Crescent™ ■ Classic™ ■ Full Length 	<ul style="list-style-type: none"> ■ Crescent™ ■ Classic™ ■ Full Length 	<ul style="list-style-type: none"> ■ Crescent™ ■ Classic™ ■ Full Length 	<ul style="list-style-type: none"> ■ Crescent™ ■ Classic™ ■ Full Length 	<ul style="list-style-type: none"> ■ Crescent™ ■ Classic™ ■ Full Length
Door/Handle Colors	<ul style="list-style-type: none"> ■ Black ■ Satin Silver ■ Polished Silver 	<ul style="list-style-type: none"> ■ Black ■ Satin Silver ■ Polished Silver 	<ul style="list-style-type: none"> ■ Black ■ Satin Silver ■ Polished Silver 	<ul style="list-style-type: none"> ■ Black ■ Satin Silver ■ Polished Silver 	<ul style="list-style-type: none"> ■ Black ■ Satin Silver ■ Polished Silver

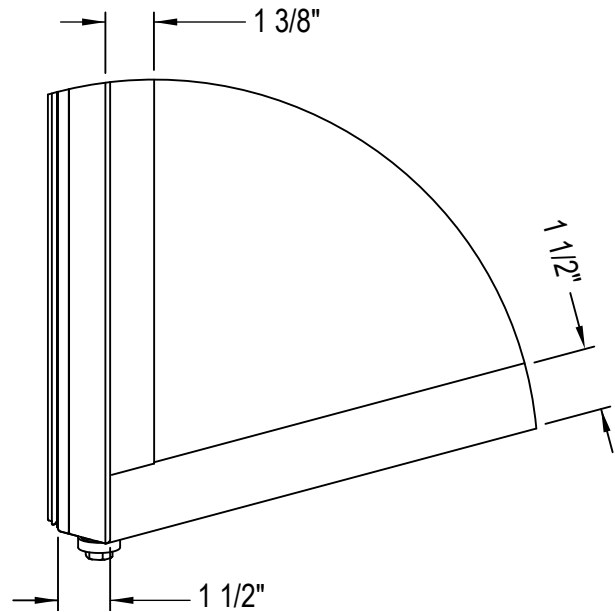
* Controller not required for international installations.

COOLVIEW™ ULTRA™ LOW TEMP

For Case Models: RVLC30



DETAIL



Hold-Open

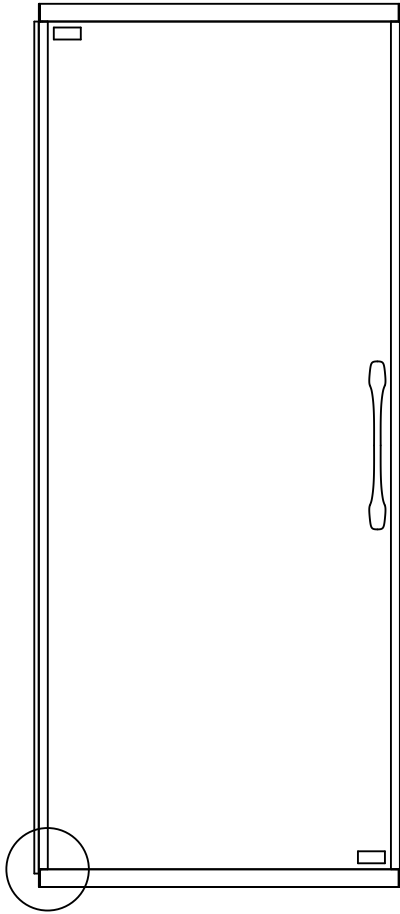


Torque Adjuster

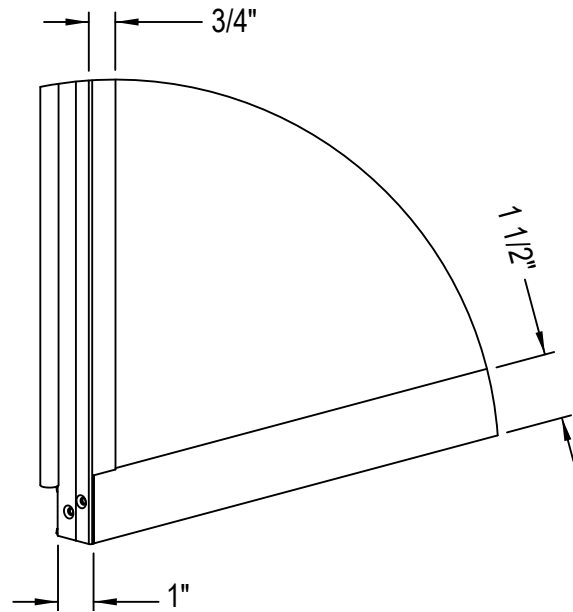
Door Sizes	Rail Construction	Gasket	Glass Pack	Heated Glass	Heated Rails	High Heat Option	Available Handles	Door/Handle Colors
<ul style="list-style-type: none"> ■ 30" x 74" 	Aluminum/ PVC	Full Perimeter on Door	<ul style="list-style-type: none"> ■ 3-Pane ■ Tempered Glass ■ Argon-Fill ■ Low-E Coating 	Yes	Yes	<ul style="list-style-type: none"> ■ With Controller for DOE Compliance 	<ul style="list-style-type: none"> ■ CoolArc™ 	<ul style="list-style-type: none"> ■ Black ■ Satin Silver

COOLVIEW™ ULTRA™ MEDIUM TEMP

For Case Models: RVMC30 / RVMC24



DETAIL



Hold-Open

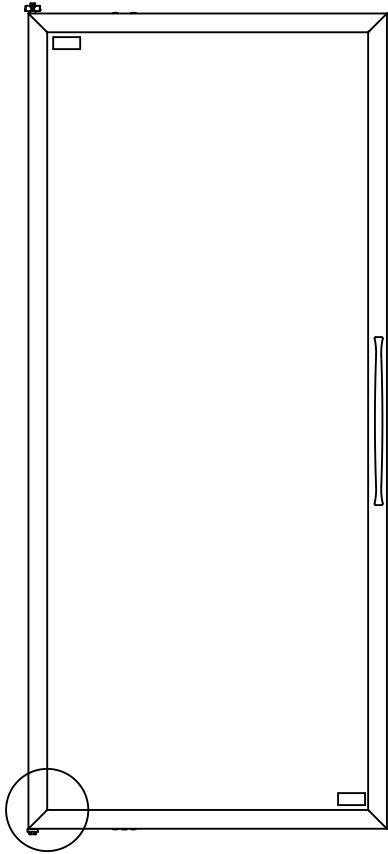


Torque Adjuster

Door Sizes	Rail Construction	Gasket	Glass Pack	Heated Glass	Heated Rails	High Heat Option	Available Handles	Door/Handle Colors
<ul style="list-style-type: none"> ■ 30" x 74" ■ 24" x 74" 	Aluminum/ PVC	Vertical on Door, Horizontal on Case	<ul style="list-style-type: none"> ■ 2-Pane ■ Tempered Glass ■ Argon-Fill ■ Low-E Coating 	Optional	Optional	<ul style="list-style-type: none"> ■ Not Available 	<ul style="list-style-type: none"> ■ CoolArc™ 	<ul style="list-style-type: none"> ■ Black ■ Satin Silver

COOLVIEW™ ENVISION™ LOW TEMP

For Case Models: RHZC30 / RHZC30T

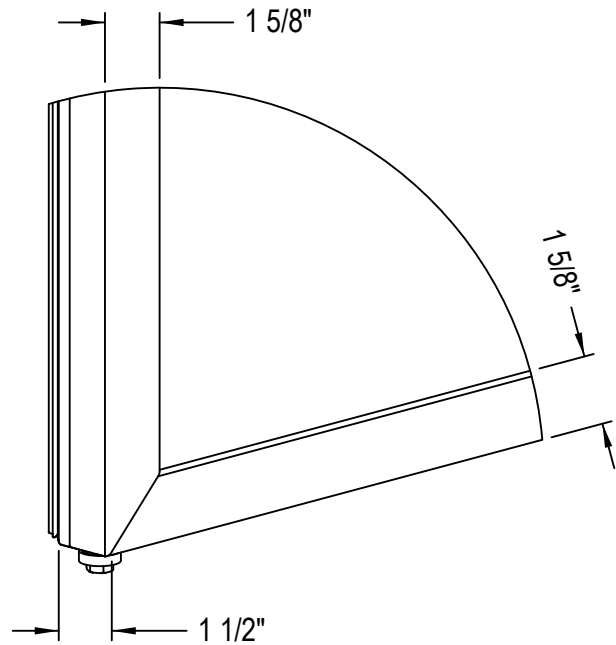


Hold-Open



Torque Adjuster

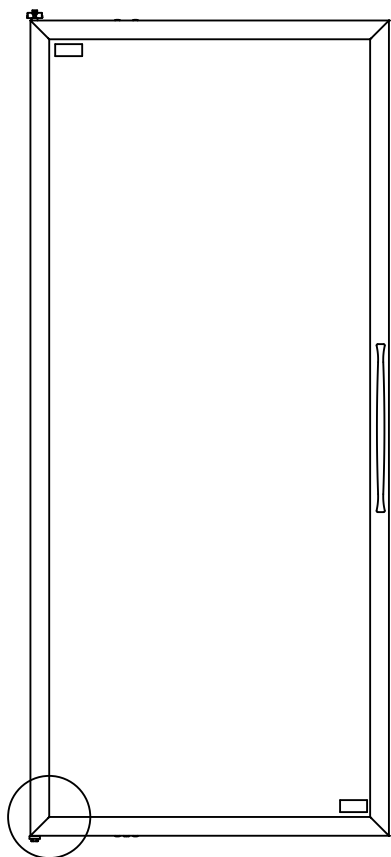
DETAIL



Door Sizes	Rail Construction	Gasket	Glass Pack	Heated Glass	Heated Rails	High Heat Option	Available Handles	Door/Handle Colors
<ul style="list-style-type: none"> ■ 30" x 68" ■ 30" x 73" 	Aluminum	Full Perimeter on Door	<ul style="list-style-type: none"> ■ 3-Pane ■ Tempered Glass ■ Argon-Fill ■ Low-E Coating 	Yes	Yes	<ul style="list-style-type: none"> ■ With Controller for DOE Compliance 	<ul style="list-style-type: none"> ■ Crescent™ ■ Classic™ ■ Full Length 	<ul style="list-style-type: none"> ■ Black ■ Satin Silver ■ Polished Silver

COOLVIEW™ ENVISION™ MEDIUM TEMP

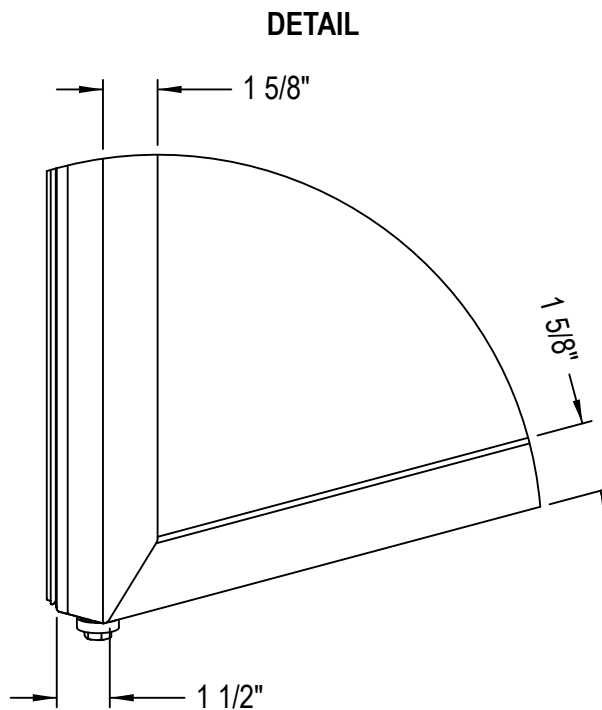
For Case Models: RHCC30 / RHCC30T / RHCC24



Hold-Open



Torque Adjuster



Door Sizes	Rail Construction	Gasket	Glass Pack	Heated Glass	Heated Rails	High Heat Option	Available Handles	Door/Handle Colors
<ul style="list-style-type: none"> ■ 30" x 68" ■ 30" x 73" ■ 24" x 68" 	Aluminum	Full Perimeter on Door	<ul style="list-style-type: none"> ■ 2-Pane ■ Tempered Glass ■ Argon-Fill ■ Low-E Coating 	No	No	<ul style="list-style-type: none"> ■ With Controller for DOE Compliance ■ 3-Pane 	<ul style="list-style-type: none"> ■ Crescent™ ■ Classic™ ■ Full Length 	<ul style="list-style-type: none"> ■ Black ■ Satin Silver ■ Polished Silver

ZERO ZONE WARRANTY

Limited Warranty

Zero Zone, Inc. (Seller) hereby warrants that any products, including Zero Zone CoolView™ Doors, manufactured by it and sold are warranted to be free from defects in material and workmanship, under normal use and service for its intended purpose, for a period of one (1) year from the date of original installation (not to exceed 15 months from the date of factory shipment). In addition, all Zero Zone CoolView™ Doors carry a 10-year Glass Pack warranty. The obligation under this warranty shall be limited to repairing or exchanging any part, or parts, without charge, FOB Factory, and which is proven to the satisfaction of the Zero Zone Service Department to be defective. Zero Zone reserves the right to inspect the job site, installation, and reason for failure. This limited warranty does not cover labor, freight, or loss of food or product, including refrigerant loss. This warranty does not apply to motors, switches, controls, lamps, driers, fuses, or other parts manufactured by others and purchased by the Seller unless the manufacturer of these items warrants the same to the Seller, and then only to the extent of those manufacturer's warranty to the Seller. Any products sold on an "AS IS" basis shall not be covered by this warranty.

Extended Warranties

In addition to the standard limited warranty, for further consideration, the Seller will extend to the original purchaser, a limited extended warranty on the compressor only, following expiration of the standard warranty. The Seller agrees to repair or exchange, at its option, or provide reimbursement for such exchange as directed, less any credit allowed for return of the original compressor, of a compressor of like or similar design and capacity, if it is shown to the satisfaction of Zero Zone that the compressor is inoperative due to defects in factory workmanship or material under normal use and services as outlined by Zero Zone in its Installation & Operation Manuals and other instructions.

Length of Extended Warranty

Any compressor warranty may be extended for an additional four (4) years, but such extension must be purchased prior to shipment to be effective. In those instances on manufactured systems where factory-installed Zero Zone Oil Management Systems are purchased, the original limited warranty shall be extended automatically to two (2) years total and purchased extended warranties shall be extended automatically for a total of six (6) years from the date of factory shipment. This warranty is only for the compressor and not for any other associated parts of the refrigeration system.

Product Not Manufactured by the Seller

The written warranty, if any, provided by the manufacturer of any part of the refrigeration unit sold by Seller to Buyer, but not manufactured by Seller, is hereby assigned to the Buyer. However, Seller makes no representation or warranty regarding the existence, validity, or enforceability of any such written warranty.

Limitation and Exclusion of Warranties

THE WARRANTIES SET FORTH HEREIN ARE EXCLUSIVE AND IN LIEU OF ALL OTHER WARRANTIES AND REMEDIES WHATSOEVER, INCLUDING, BUT NOT LIMITED TO, IMPLIED WARRANTIES OF MERCHANTABILITY AND/OR FITNESS FOR A PARTICULAR PURPOSE.



For other technical support, please refer to
Zero Zone Installation & Operation Manuals
available on the Technical Resources page at:

WWW.ZERO-ZONE.COM

or contact the Zero Zone Service Department at:

800-247-4496

All specifications subject to change without notice.

