

# Product data sheet

## Characteristics

# 8910DPA32V02

Contactor, Definite Purpose, 30A, 2 pole, 5 HP at 230 VAC, 1 phase, 110/120 VAC 50/60 Hz coil, open



Product availability: Stock - Normally stocked in distribution facility

Price\*: 91.38 USD



### Main

Product or Component Type	Definite Purpose Contactor
Line Rated Current	30 A
Poles description	2P
Pole contact composition	2 NO
Range of product	DPA

### Complementary

Maximum Horse Power Rating	2 Hp 115 V AC, 1 phase 5 Hp 230 V AC, 1 phase
Locked rotor rated current	150 A 460 V AC 120 A 575 V AC 180 A 277 V AC
[Ue] rated operational voltage	600 V AC
[Uc] control circuit voltage	120 V AC 60 Hz 110 V AC 50 Hz
Phase	1 phase
Electrical Connection	Binder head Quick connect terminals
Height	2.31 In (58.67 mm) 2.31 In (58.70 mm)
Width	2.37 In (60.20 mm) 2.37 In (60.2 mm)
Depth	2.90 In (73.66 mm) 2.99 In (76 mm)
Product Weight	0.97 Lb(US) (0.44 kg) 0.98 Lb(US) (0.44 kg)

### Environment

Product Certifications	UL Recognized CSA
------------------------	----------------------

## Ordering and shipping details

Category	21343 - 8910 DPA 3_(30 AMP)
Discount Schedule	CP1B
GTIN	785901116967
Nbr. of units in pkg.	1
Package weight(Lbs)	15.68 Oz (444.521 g)
Returnability	Yes
Country of origin	CN

## Packing Units

Unit Type of Package 1	PCE
Package 1 Height	2.50 In (6.35 cm)
Package 1 width	3.10 In (7.874 cm)
Package 1 Length	4.00 In (10.16 cm)

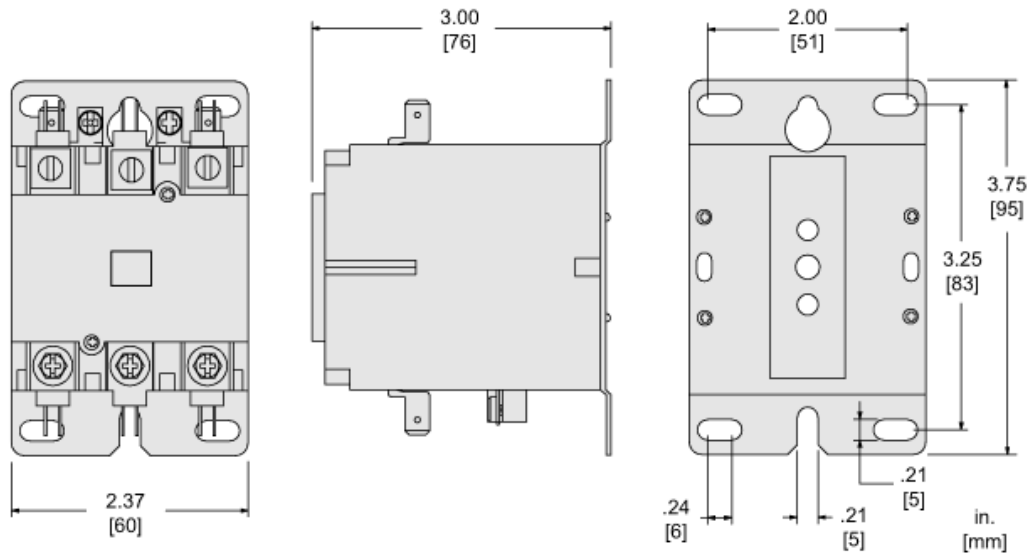
## Offer Sustainability

REACH Regulation	<a href="#">REACH Declaration</a>
EU RoHS Directive	Compliant <a href="#">EU RoHS Declaration</a>
Mercury free	Yes
RoHS exemption information	<a href="#">Yes</a>
China RoHS Regulation	<a href="#">China RoHS Declaration</a>

## Contractual warranty

Warranty	18 months
----------	-----------

Approximate Dimensions



Product Life Status : Commercialised