



# RMCC24 Specifications

Medium Temp Reach-Ins with 24" x 63" Doors

**Note:** Effective 1/1/12, all Zero Zone display cases manufactured for shipment within the U.S. meet or exceed current DOE energy requirements.

## ENERGY DATA

Refrigeration <small>(see note #1 for components included in baseline Btuh)</small>	LINEUP DATA	INDIVIDUAL CASE DATA (Includes 1 Pair of End Panels)	
	Per Door Avg.	2-Door	3-Door
Evaporator Temperature (°F)	+25	+25	+25
Baseline Btuh <sup>1,2</sup>	350	920	1,320
Discharge Air Temp. (°F) (with 8°F Superheat)	33	33	33
Glycol Data*		2-Door	3-Door
Flow Rate (GPM)		0.6	0.8
Pressure Drop (PSIG)		2.8	1.6

\* All glycol data based on 35% Propylene Glycol by weight, +20°F Supply Temperature, and 24°-26°F Outlet Temperature.

Fan Motors (115V) <sup>3,4</sup>	Amps	Watts	Amps	Watts	Amps	Watts
High Efficiency Electronic (SSC/ECM)	0.30	11	0.60	23	0.90	34
Lighting System (120V) <small>(consult factory for other LED options)</small>	Amps	Watts	Amps	Watts	Amps	Watts
LED Lighting (Anthony OptiMax Pro24) Low Power	0.15	21	0.30	41	0.45	62
Anti-Sweat Door Heaters (115V)	Amps	Watts	Amps	Watts	Amps	Watts
Anthony ELM (No-Energy Doors)	0.25	29	0.58	67	0.81	94

**Notes:**

1. Baseline Evaporator Btuh based on parallel rack system, LED lighting (Optimax Pro24 Low Power), no-energy doors, and SSC electronic fan motors.
2. For condensing units (non-rack system), multiply total Btuh rating by 1.08.
3. Amps are based on electrical nameplate values, watts are based on laboratory observations of actual energy use.
4. One Fan Motor Per Door.

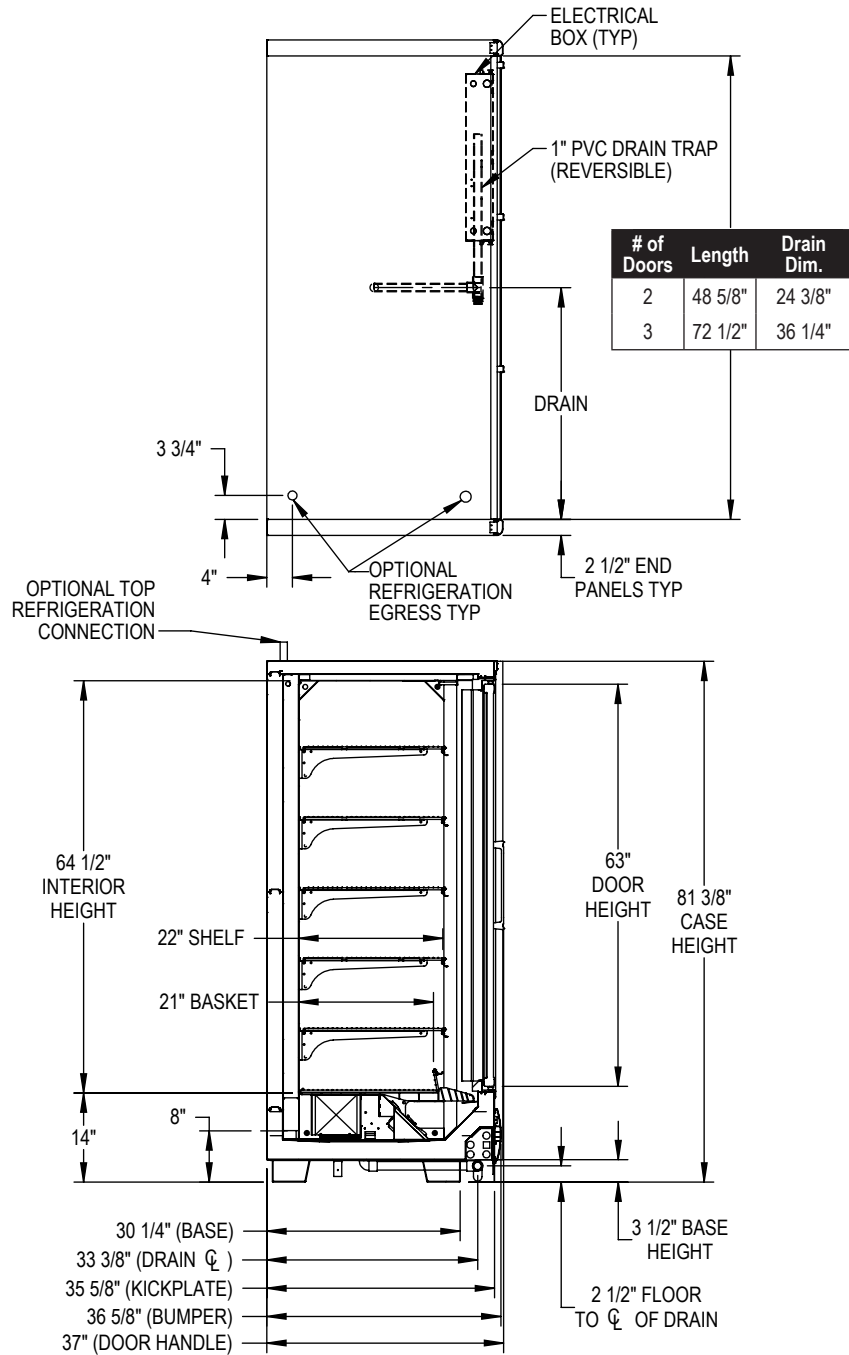
## PHYSICAL DATA

Baseline Refrigeration Piping	Outlet Size (in.)	# of Doors	Weight (lbs.)	Case Capacity	
				Facings (ft. <sup>2</sup> )	Packout (ft. <sup>3</sup> ) 22" Shelves
Suction Line O.D. (Std. Refrig. Exit)	7/8	2	553	21.8	39.9
2 to 3-Door Suction Line O.D. (Top Refrig)	3/8	3	797	32.5	59.1
Liquid Line O.D.	3/8	End Panel	30	N/A	N/A



# RMCC24 Specifications

Medium Temp Reach-Ins with 24" x 63" Doors



- Top refrigeration connections or top electrical connections increase case height by up to 4 inches.
- End Panels and Insulated Dividers = 2 1/2".
- All dimensions are nominal.

11/18/13

Specifications are subject to change without notice.  
Case designed to operate in an ambient temperature of 75°F and relative humidity of 55% or lower.



Zero Zone, Inc. | 110 N Oakridge Drive | North Prairie, WI 53153-9792  
Toll Free: 800-247-4496 | Fax: 262-392-6450  
Zero-Zone.com

