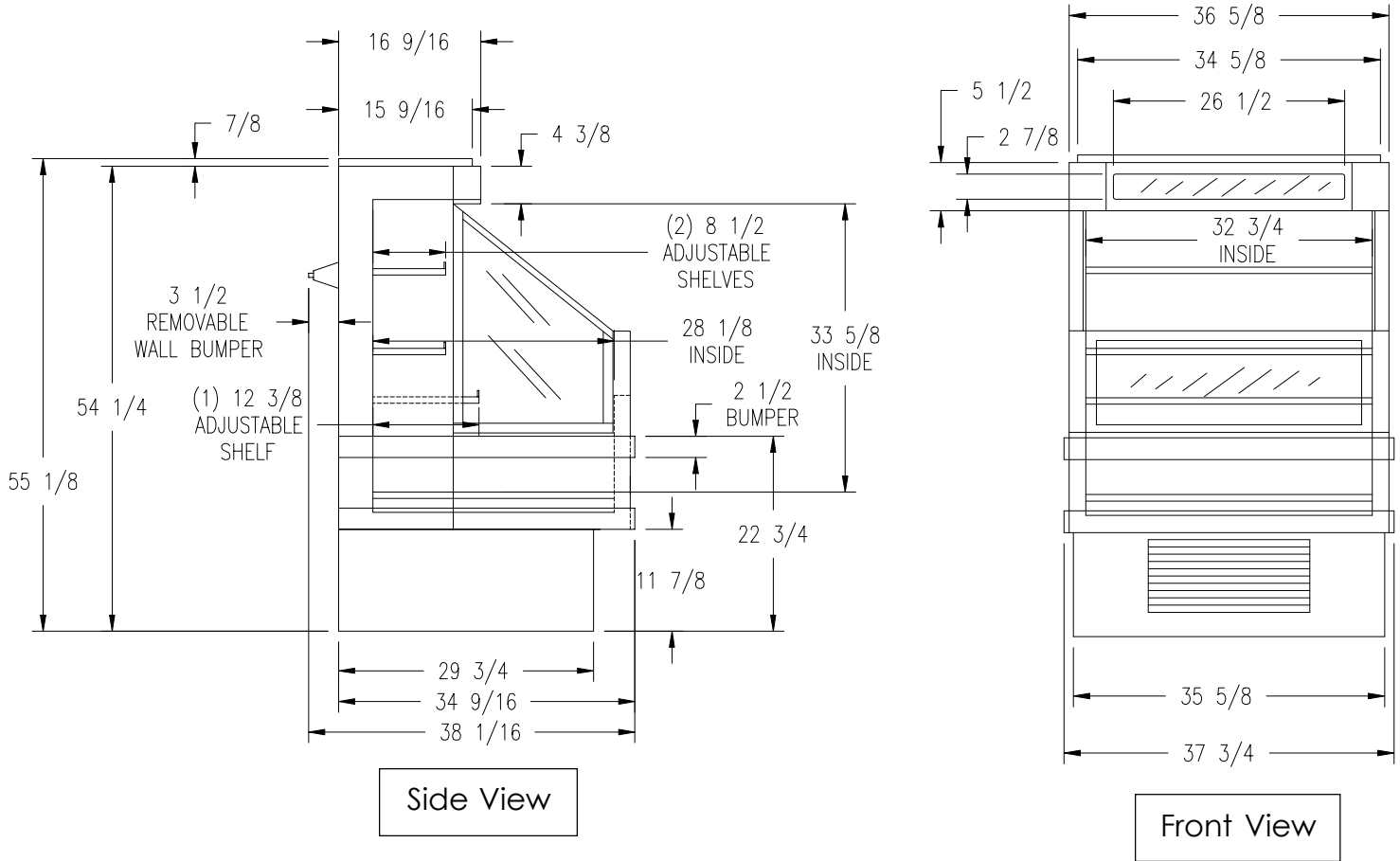




# OMC-LB SPECIFICATION SHEET



MODEL	WEIGHT (w/shelves)	OUTSIDE DIMENSIONS (INCHES)			INSIDE DIMENSIONS (INCHES)			CUBIC FEET CAPACITY
		W	H	D	W	H	D	
OMC-LB	310	37 3/4	55 1/8	38 1/16	32 3/4	33 5/8	28 1/8	18

MODEL	ELECTRICAL			H.P.	REF.	
	INCOMING SUPPLY		MIN CIRCUIT AMPS			AMPS RLA
OMC-LB	115-1 PHASE-60 HZ.		20	16	3/4	R404A

CASE DESIGNED TO OPERATE IN AN AMBIENT AIR TEMPERATURE OF 75°F OR LOWER AND RELATIVE HUMIDITY OF 55% OR LOWER

Zero Zone, Inc. • 110 N. Oakridge Dr.  
 North Prairie, WI 53153-9792  
 1-800-247-4496 • FAX: 1-262-392-6450  
 www.zero-zone.com



All specifications are subject to change without notice.