

66-0007-P1 CASE JOINING HARDWARE KIT

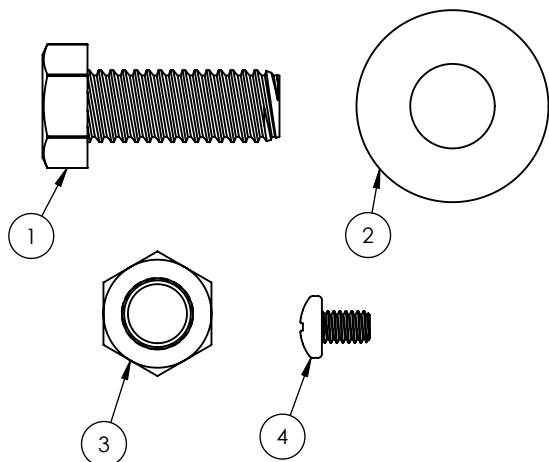
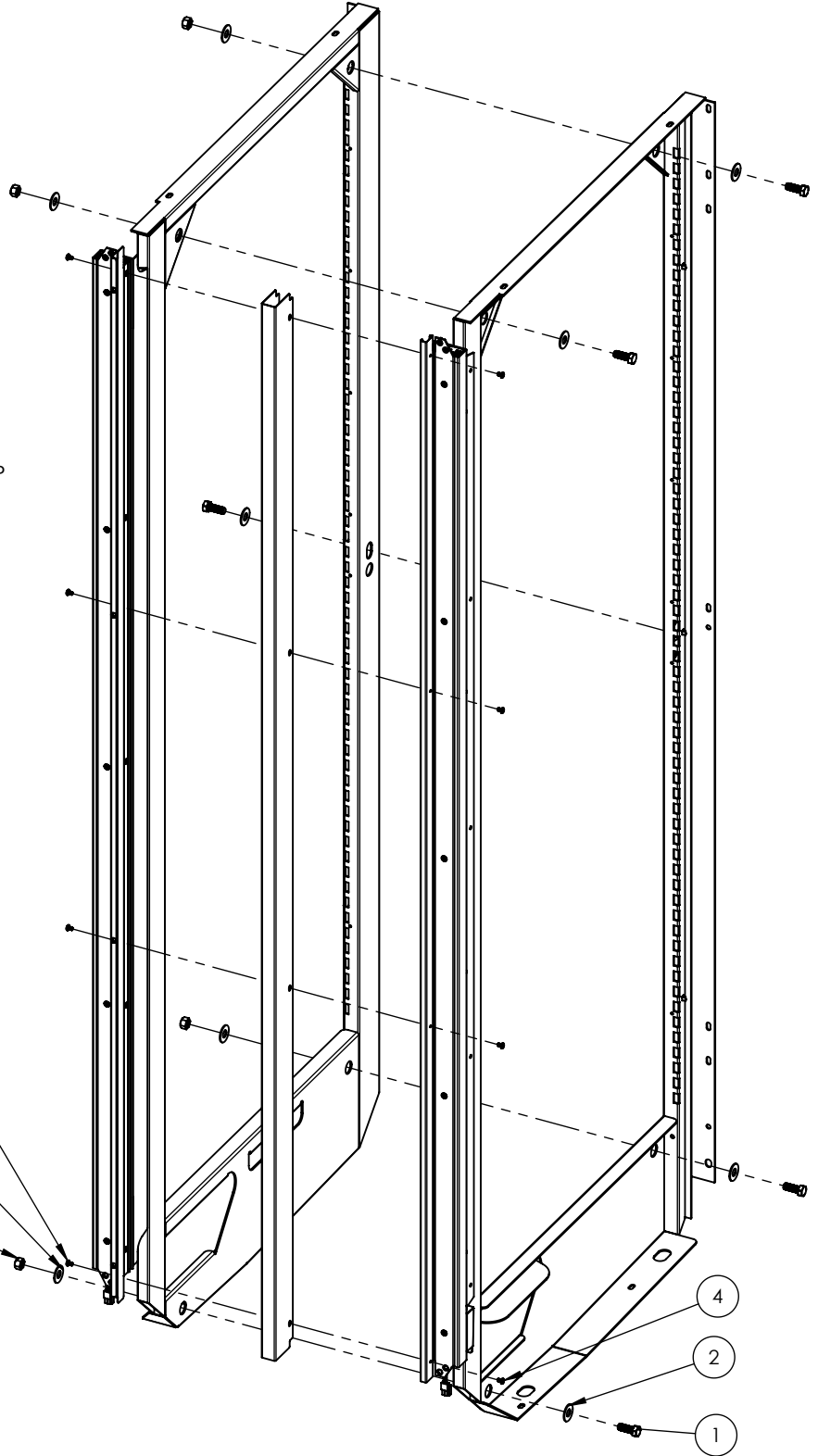
ITEM NO.	PART NUMBER	DESCRIPTION	QTY.
1	64-0287-P1	SCREW 3/8-16X1 HEX CAP GR 2 BLK 7N	5
2	64-0034-P1	WASHER 3/8 STD FLAT 7P BLK	9
3	64-0064-P1	NUT 3/8-16 NC HEX NUT 7P BLK	4
4	64-0127-1	SCREW 8 X 1/4 PHIL PAN HD SMS BLK 7P	8
5	82-0006	CAULK BUTYL/TUBES WHT	2

66-0007-P9 CASE JOINING HARDWARE KIT

ITEM NO.	PART NUMBER	DESCRIPTION	QTY.
1	64-0287	SCREW 3/8-16X1 CAP GR 2 ZNC	5
2	64-0034	WASHER 3/8 STD FLAT 7P	9
3	64-0064	NUT 3/8-16 NC HEX NUT 7P	4
4	64-0127-1	SCREW 8 X 1/4 PHIL PAN HD SMS BLK 7P	8
5	82-0006	CAULK BUTYL/TUBES WHT	2

NOTES:

1. ITEM #4 USED ON HZ/C AND VLC CASES ONLY.
2. JOINING STRIP SHIPPED LOOSE.
3. SEE 66-0024 FOR VZ/C AND VMC JOINING STRIP HARDWARE.
4. ITEM 5 CAULK NOT SHOWN.



ZERO ZONE, INC.
110 NORTH OAKRIDGE DRIVE
NORTH PRAIRIE, WISCONSIN
USA 53153



COPYRIGHT INFORMATION
THIS DRAWING AND THE INFORMATION CONTAINED WITHIN, IS
THE SOLE PROPERTY OF ZERO ZONE, INC. ANY USE OF THIS
DOCUMENT OR DISCLOSURE OF ITS CONTENTS, BY
REPRODUCTION OR OTHER MEANS, WITHOUT THE WRITTEN
CONSENT OF ZERO ZONE, INC. IS STRICTLY PROHIBITED.

**CASE JOINING HARDWARE KIT
INSTRUCTIONS**

66-0007

REVISION

F