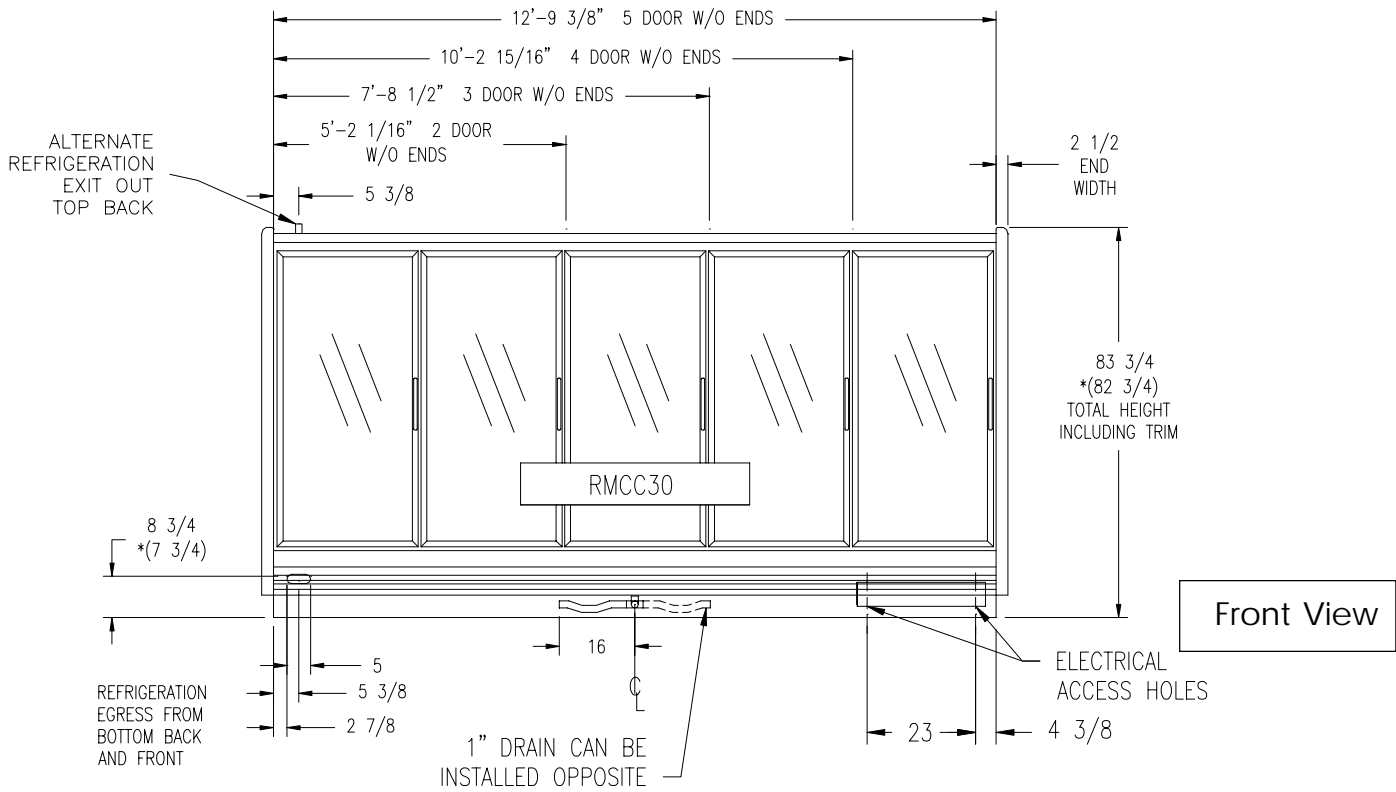




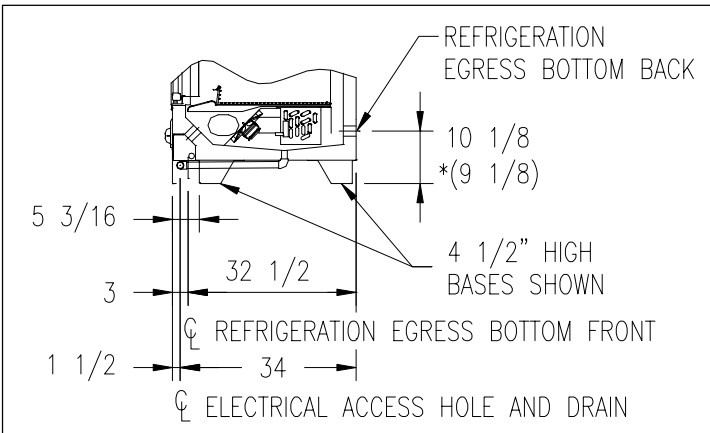
PRELIMINARY

RMCC30 SPECIFICATION SHEET

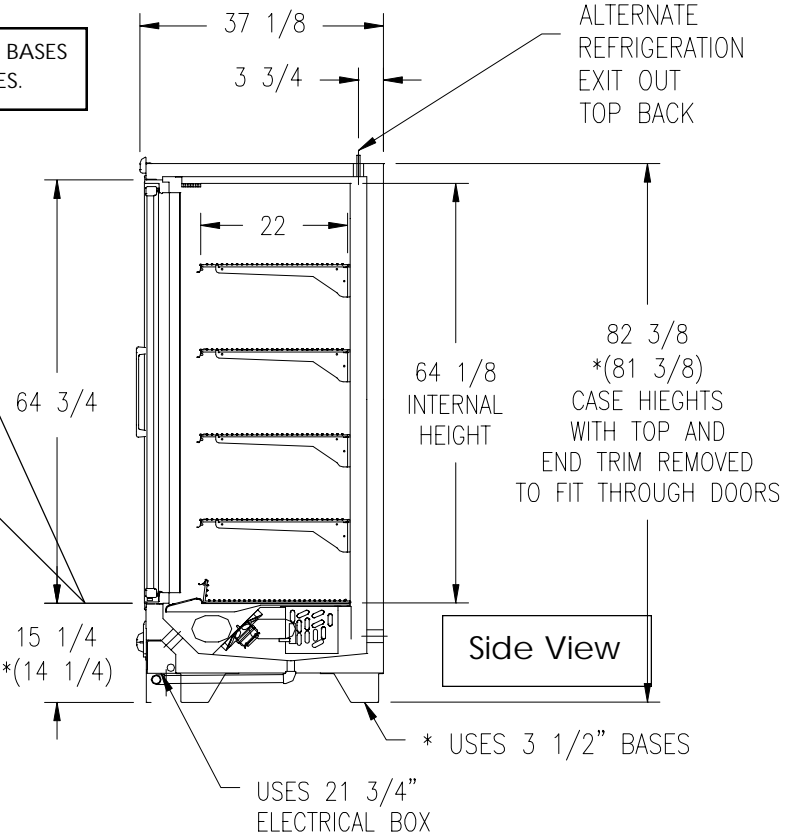


Front View

* NOTE: CASE DIMENSIONS SHOWN REFLECT STANDARD 4-1/2" HIGH BASES
 DIMENSIONS SHOWN IN (PARENTHESIS) REFLECT 3-1/2" BASES.



Partial Side View (Bottom)



Side View

Zero Zone, Inc. • 110 N. Oakridge Dr.
 North Prairie, WI 53153-9792
 1-800-247-4496 • FAX: 1-262-392-6450
 www.zero-zone.com

All specifications are subject to change without notice.



PRELIMINARY

RMCC30 SPECIFICATION SHEET

CASE SIZE	EST. WEIGHT IN POUNDS*
2RMCC30	747
3RMCC30	1,037
4RMCC30	1,391
5RMCC30	1,775

*WEIGHT BASED ON UNCRATED CASES WITHOUT ENDS, AND FULLY SHELVED.
SINGLE END WEIGHT: 54 POUNDS

REFRIGERANT CONNECTIONS SIZES				CAPACITY SPECIFICATIONS		
MODEL NUMBER	SUCTION LINE O.D.	LIQUID LINE O.D.	SUCTION LINE O.D. FOR REFRIGERATION OUT TOP BACK	MODEL NUMBER	USABLE CUBIC FEET	VERTICAL SURFACE SQUARE FOOTAGE
2RMCC30	7/8	3/8	1/2	2RMCC30	51	28
3RMCC30	7/8	3/8	5/8	3RMCC30	76	41
4RMCC30	7/8	3/8	5/8	4RMCC30	100	55
5RMCC30	7/8	3/8	5/8	5RMCC30	125	68

ELECTRICAL SPECIFICATIONS								
MODEL NUMBER	FANS AMPS	ANTHONY T-8 LIGHT AMPS	T-12 LIGHT AMPS ONE END*	T-12 LIGHT AMPS BOTH ENDS	ANTHONY ELM ANTI-SWEAT HEATERS (PRELIMINARY)	ANTHONY STANDARD ANTI-SWEAT HEATERS	ARDCO T-8 LIGHT AMPS	ARDCO STANDARD ANTI-SWEAT HEATERS
2RMCC30	0.68	1.45	1.65	2.40	0.55	2.10	1.89	1.16
3RMCC30	1.02	1.94	2.40	3.30	0.79	3.06	2.34	1.64
4RMCC30	1.36	2.42	3.30	4.05	1.03	3.91	3.06	2.13
5RMCC30	1.70	2.91	4.05	4.80	1.28	4.93	3.51	2.60

SUBTRACT 0.19 AMPS PER DOOR FOR PSC FAN MOTORS
SUBTRACT 0.36 AMPS PER DOOR FOR ANTHONY FRAMELESS DOORS
VOLTAGE: 115 VOLTS 1 PHASE 60 HZ.
* STANDARD FOR CASE IN A LINE-UP

BTU/HR ENERGY REQUIREMENTS: FOR PRODUCT TEMPERATURE OF 33°F TO 41°F WITH 25°F EVAPORATOR		
# OF DOORS	BTU/HR @ +25°F	BTU/HR RATING BASED ON T-8 LIGHTING AND PARALLEL RACK SYSTEM.
2	2,490	ADD 30 BTU/HR PER DOOR FOR T-12 LIGHTING DEDUCT 57 BTU/HR PER DOOR FOR PSC FAN MOTORS CASE DESIGNED TO OPERATE IN AN AMBIENT OF 75°F OR LOWER AND RELATIVE HUMIDITY OF 55% OR LOWER
3	3,460	
4	4,450	
5	5,450	
RMCC30 W/OPTIONAL ELM DOORS	FOR ELM AT +25°F DEDUCT 320 BTU/HR/DOOR (PRELIMINARY)	

Zero Zone, Inc. • 110 N. Oakridge Dr.
North Prairie, WI 53153-9792
1-800-247-4496 • FAX: 1-262-392-6450
www.zero-zone.com



All specifications are subject to change without notice.