



# Highlight™ Merchandiser RHZC30 & RHZC30BB Specs

Low Temp Reach-Ins with 30" x 68" Doors

**Note:** All Zero Zone display cases manufactured for shipment within the U.S. meet or exceed current DOE energy requirements.

## ENERGY DATA

<b>Refrigeration</b> <small>(see note #1 for components included in baseline Btuh)</small>	
Evaporator Temperature (°F)	-7
Baseline Btuh <sup>1, 2, 3</sup>	880
Discharge Air Temp. (°F) (w/ 8°F Superheat)	-3
<b>Btuh Deducts</b>	
Back-To-Back (Model BB)	-75
Solid Door	-65
<b>Btuh Adders</b>	
Optional Glass Windowed End Panel (Each)	315
Anti-Sweat High Heat Option	100

## LINEUP DATA

<b>Per Door Avg.</b>	
F.F.	I.C.
-7	-16
880	965
-3	-12
F.F.	I.C.
-75	-85
-65	-65
F.F.	I.C.
315	350
100	100

## INDIVIDUAL CASE DATA (Includes 1 Pair of End Panels)

2-Door		3-Door		4-Door		5-Door	
F.F.	I.C.	F.F.	I.C.	F.F.	I.C.	F.F.	I.C.
-7	-16	-7	-16	-7	-16	-7	-16
2,040	2,220	2,880	3,150	3,720	4,080	4,570	5,020
-3	-12	-3	-12	-3	-12	-3	-12

<b>Fan Motors (115V) <sup>4</sup></b>	Amps	Watts	Amps	Watts	Amps	Watts	Amps	Watts	Amps	Watts
High Efficiency Electronic (SSC/ECM)	0.30	20	0.60	38	0.90	59	1.20	78	1.50	98
<b>Lighting System (120V) (other LED options available)</b>	Amps	Watts	Amps	Watts	Amps	Watts	Amps	Watts	Amps	Watts
LED Lighting (Zero Zone ChillBrite™ 5)	0.15	18	0.29	35	0.44	53	0.59	70	0.73	88
<b>Anti-Sweat Heat (115V) <sup>5, 6</sup></b>	Amps	Watts	Amps	Watts	Amps	Watts	Amps	Watts	Amps	Watts
Standard-Energy Doors (Zero Zone CoolView Envision™)	0.72	83	1.43	164	2.13	245	2.84	326	3.54	408
High Heat Option (Zero Zone CoolView Envision™)	1.06	122	2.15	247	3.20	368	4.25	488	5.30	609
Solid Doors (Zero Zone CoolView Envision™)	0.50	57	1.01	116	1.50	173	2.00	230	2.50	287
<b>Defrost Heaters (208V) <sup>7, 8</sup></b>	Amps	Watts	Amps	Watts	Amps	Watts	Amps	Watts	Amps	Watts
Defrost Heater	4.00	832	8.00	1,664	12.00	2,496	16.00	3,328	20.00	4,160

### Notes:

- Baseline Evaporator Btuh based on parallel rack system, LED lighting (Zero Zone ChillBrite™ 5), standard-energy doors (Zero Zone CoolView Envision™), and SSC electronic fan motors.
- For condensing units (non-rack system), multiply total Btuh rating by 1.06.
- Amps are based on electrical nameplate values, watts are based on laboratory observations of actual energy use.
- One fan motor per door.
- Door (Anti-Sweat) Options: standard-energy and high heat option = heated glass and heated rails; solid doors = heated rails. All options include mullion and sill heat.
- Anti-Sweat Controller required for the high heat option to comply with DOE energy requirements.
- Electric Defrost: 1 per day. 19 minutes frozen food. 28 minutes ice cream. Failsafe 55 minutes. Refer to the Installation & Operation Manual for details.
- Hot Gas Defrost: 1 per day. 12 to 22 minutes. Failsafe 30 minutes. Refer to the Installation & Operation Manual for details.

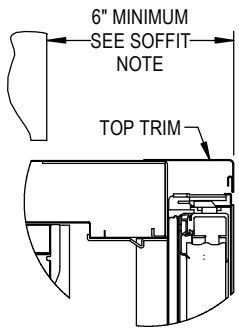
## PHYSICAL DATA

Baseline R-404A Refrigeration Piping	Outlet Size (in.)	# of Doors	Weight (lbs.)		Facings (ft. <sup>2</sup> )	Case Capacity	
			RHZC30	RHZC30BB		Packout (ft. <sup>3</sup> )	22"/24" Shelves
Suction Line O.D. (Std. Refrig. Exit)	7/8	2	720	1,380	27.8	51.0	55.6
2-Door Suction Line O.D. (Top Refrig.)	1/2	3	970	1,860	41.4	76.0	82.9
3 to 5-Door Suction Line O.D. (Top Refrig.)	5/8	4	1,280	2,460	55.1	101.0	110.1
Liquid Line O.D. (Electric Defrost)	3/8	5	1,585	3,050	68.7	125.9	137.4
Liquid Line O.D. (Hot Gas Defrost)	1/2	Solid End Panel	30	60	N/A	N/A	N/A



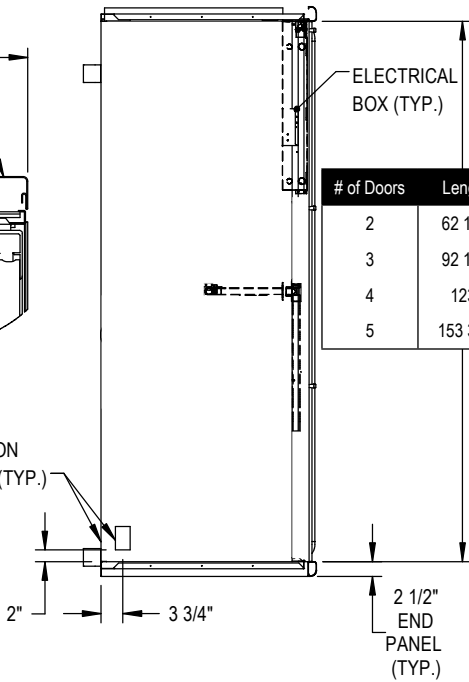
# Highlight™ Merchandiser RHZC30 & RHZC30BB Specs

Low Temp Reach-Ins with 30" x 68" Doors



DETAIL B

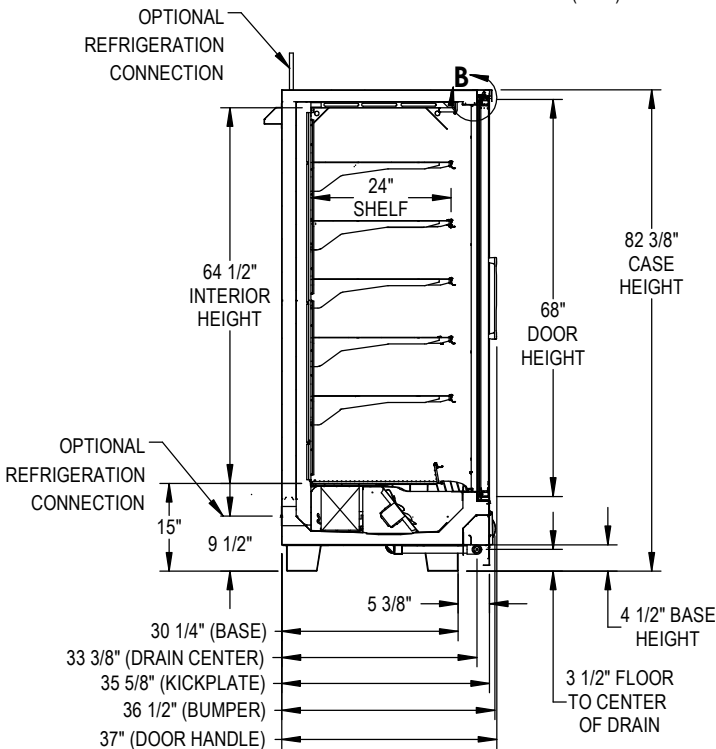
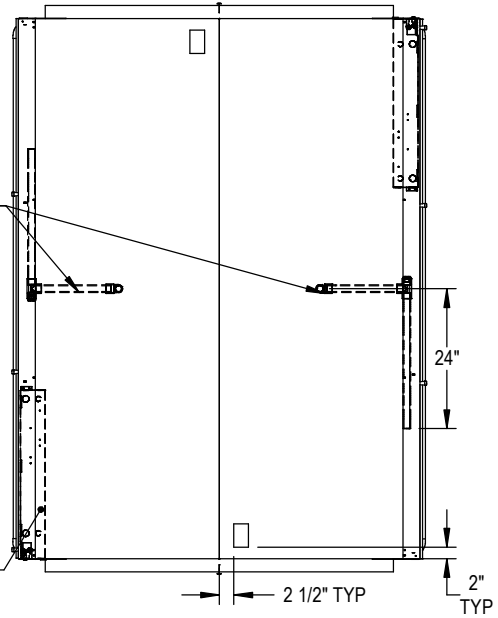
OPTIONAL REFRIGERATION CONNECTION (TYP.)



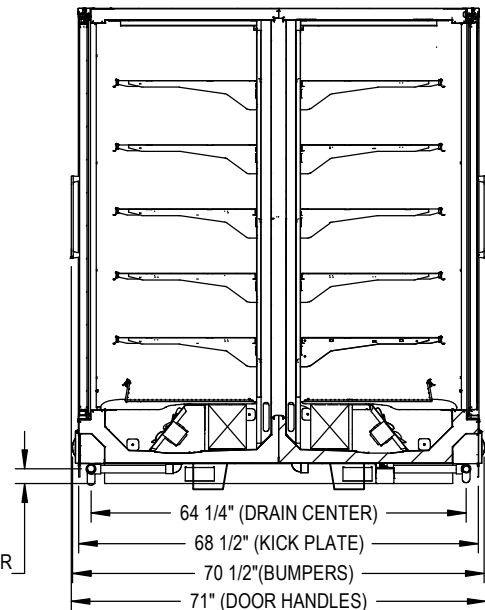
# of Doors	Length	Drain Dim.
2	62 1/8"	31"
3	92 1/2"	46 1/4"
4	123"	61 1/2"
5	153 3/8"	76 3/4"

1" PVC DRAIN TRAP (TYP) (REVERSIBLE)

ELECTRICAL BOX (TYP.)



2 1/2" CENTER OF DRAIN



- Door size: 30" x 68".
- All dimensions are nominal.
- Top refrigeration connections increase case height by up to 4".
- End Panels and Insulated Dividers = 2 1/2".
- Building soffits must be set back 6" from the front of the doors to allow for access to door hinges on the top of the case.

11/29/17

Specifications are subject to change without notice.  
Case designed to operate in an ambient temperature of 75°F and relative humidity of 55% or lower.



Zero Zone, Inc. | 110 N Oakridge Drive | North Prairie, WI 53153-9792  
Toll Free: 800-247-4496 | Fax: 262-392-6450  
www.zero-zone.com

© 2017 Zero Zone, Inc.

