



# Highlight™ Merchandiser RHCC30T & RHCC30TBB Specs

Medium Temp Tall Reach-Ins with 30" x 73" Doors

**Note:** All Zero Zone display cases manufactured for shipment within the U.S. meet or exceed current DOE energy requirements.

## ENERGY DATA

Refrigeration	
<small>(see note #1 for components included in baseline Btuh)</small>	
Evaporator Temperature (°F)	28
Baseline Btuh <sup>1, 2, 3</sup>	475
Discharge Air Temp. (°F) (w/ 8°F Superheat)	33
Btuh Deducts	
Back-To-Back (Model BB)	40
Btuh Adders	
Optional Glass Windowed End Panel (Each)	175
Anti-Sweat Heat Option	130

LINEUP DATA	
Per Door Avg.	
Evaporator Temperature (°F)	28
Baseline Btuh <sup>1, 2, 3</sup>	475
Discharge Air Temp. (°F) (w/ 8°F Superheat)	33
Btuh	
Back-To-Back (Model BB)	40
Btuh	
Optional Glass Windowed End Panel (Each)	175
Anti-Sweat Heat Option	130

INDIVIDUAL CASE DATA (Includes 1 Pair of End Panels)				
2-Door	3-Door	4-Door	5-Door	
Evaporator Temperature (°F)	28	28	28	28
Baseline Btuh <sup>1, 2, 3</sup>	1,050	1,525	2,000	2,475
Discharge Air Temp. (°F) (w/ 8°F Superheat)	33	33	33	33

Glycol Data *	
Flow Rate (GPM)	
Pressure Drop (PSIG)	

2-Door	3-Door	4-Door	5-Door	
Flow Rate (GPM)	0.8	1.2	1.6	2.0
Pressure Drop (PSIG)	4.2	2.6	2.3	3.5

\* All glycol data based on 35% Propylene Glycol by weight, 20°F Supply Temperature, and 24°-26°F Outlet Temperature.

Fan Motors (115V) <sup>4</sup>	Amps	Watts	Amps	Watts	Amps	Watts	Amps	Watts	Amps	Watts
High Efficiency Electronic (SSC/ECM)	0.30	12	0.60	24	0.90	36	1.20	48	1.50	60
Lighting System (120V) (other LED options available)	Amps	Watts	Amps	Watts	Amps	Watts	Amps	Watts	Amps	Watts
LED Lighting (Zero Zone ChillBrite™ 5)	0.16	19	0.32	38	0.48	58	0.64	77	0.79	96
Anti-Sweat Heat (115V) <sup>5, 6</sup>	Amps	Watts	Amps	Watts	Amps	Watts	Amps	Watts	Amps	Watts
No-Energy Doors (Zero Zone CoolView Envision™)	0.17	20	0.35	40	0.52	60	0.70	80	0.87	100
Heat Option (Zero Zone CoolView Envision™)	0.61	70	1.22	140	1.83	210	2.43	280	3.04	350
Solid Doors (Zero Zone CoolView Envision™)	0.17	20	0.35	40	0.52	60	0.70	80	0.87	100

### Notes:

- Baseline Evaporator Btuh based on parallel rack system, LED lighting (Zero Zone ChillBrite™ 5), no-energy doors (Zero Zone CoolView Envision™), and SSC electronic fan motors.
- For condensing units (non-rack system), multiply total Btuh rating by 1.08.
- Amps are based on electrical nameplate values, watts are based on laboratory observations of actual energy use.
- One fan motor per door.
- Door (Anti-Sweat) Options: no-energy = no-heat glass and no-heat rails; heat option = heated glass, heated rails, and heated sill; solid doors = no-heat rails. All door options include mullion heat.
- Anti-Sweat Controller required for the heat option to comply with DOE energy requirements.

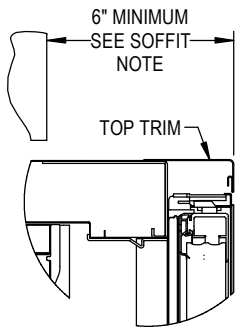
## PHYSICAL DATA

Baseline R-404A Refrigeration Piping	Outlet Size (in.)	# of Doors	Weight (lbs.)		Facings (ft. <sup>2</sup> )	Case Capacity	
			RHCC30T	RHCC30TBB		Packout (ft. <sup>3</sup> )	22"/24" Shelves
Suction Line O.D. (Std. Refrig. Exit)	1/2	2	755	N/A	30.0	55.0	60.0
2 to 3-Door Suction Line O.D. (Top Refrig.)	3/8	3	1,055	2,105	44.6	81.8	89.3
4 to 5-Door Suction Line O.D. (Top Refrig.)	1/2	4	1,420	2,840	59.3	108.8	118.7
2 to 3-Door Liquid Line O.D.	1/4	5	1,800	3,595	74.0	135.7	148.0
4 to 5-Door Liquid Line O.D.	3/8	Solid End Panel	35	70	N/A	N/A	N/A



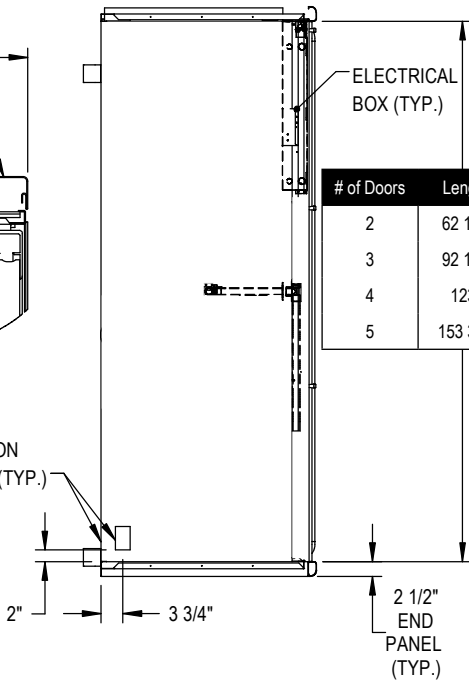
# Highlight™ Merchandiser RHCC30T & RHCC30TBB Specs

Medium Temp Tall Reach-Ins with 30" x 73" Doors



DETAIL B

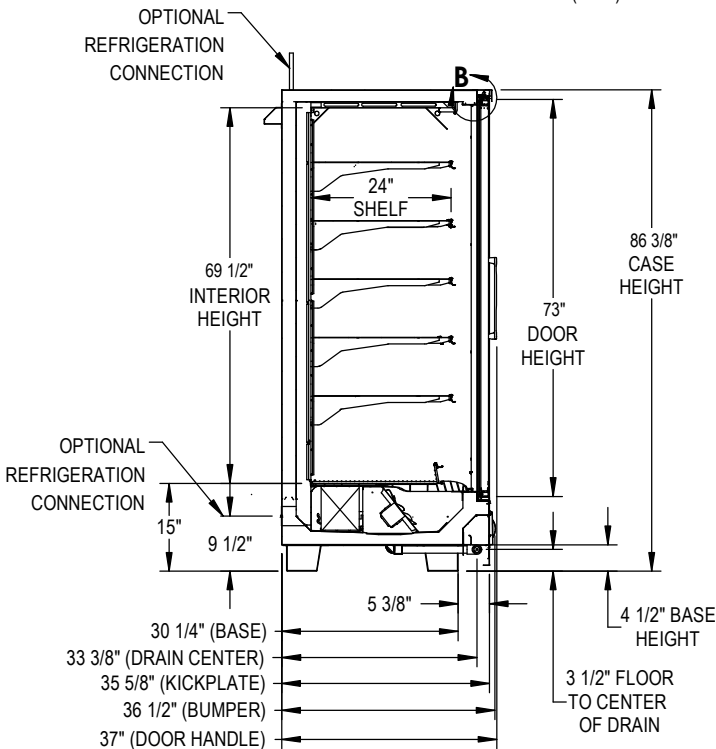
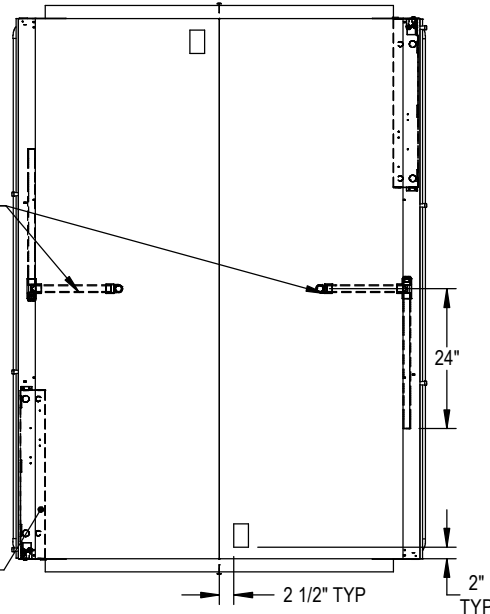
OPTIONAL REFRIGERATION CONNECTION (TYP.)



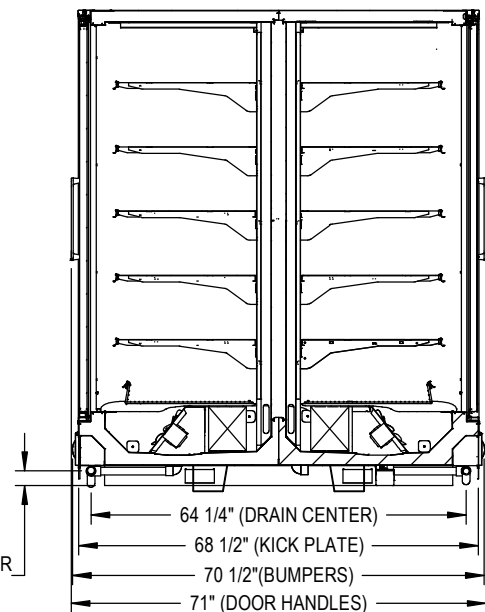
# of Doors	Length	Drain Dim.
2	62 1/8"	31"
3	92 1/2"	46 1/4"
4	123"	61 1/2"
5	153 3/8"	76 3/4"

1" PVC DRAIN TRAP (TYP) (REVERSIBLE)

ELECTRICAL BOX (TYP.)



2 1/2" CENTER OF DRAIN



- Door size: 30" x 73".
- All dimensions are nominal.
- Top refrigeration connections increase case height by up to 4".
- End Panels and Insulated Dividers = 2 1/2".
- Building soffits must be set back 6" from the front of the doors to allow for access to door hinges on the top of the case.

11/29/17

Specifications are subject to change without notice.  
Case designed to operate in an ambient temperature of 75°F and relative humidity of 55% or lower.



Zero Zone, Inc. | 110 N Oakridge Drive | North Prairie, WI 53153-9792  
Toll Free: 800-247-4496 | Fax: 262-392-6450  
www.zero-zone.com

© 2017 Zero Zone, Inc.

