



RVZC30T Specifications

Remote Reach-In Tall Freezer Case

Energy Data

Refrigeration	2RVZC30T		3RVZC30T		4RVZC30T		5RVZC30T		Per Door Avg.	
	F.F.	I.C.	F.F.	I.C.	F.F.	I.C.	F.F.	I.C.	F.F.	I.C.
Evaporator Temperature (F)	-7	-16	-7	-16	-7	-16	-7	-16	-7	-16
Baseline Evaporator Btuh ^{1,2,3}	2,518	2,838	3,587	4,067	4,651	5,296	5,720	6,525	1,144	1,305
Btuh Deducts	Btuh		Btuh		Btuh		Btuh		Btuh	
Fiber Optic Lighting	485	485	704	704	772	772	991	991	200	200
Btuh Adders	Btuh		Btuh		Btuh		Btuh		Btuh	
Standard Shaded Pole Motor	172	172	258	258	344	344	430	430	86	86
Permanent Split Capacitor (PSC)	48	48	72	72	96	96	120	120	24	24
Standard Efficiency Doors (Heated)	410	410	615	615	820	820	1,025	1,025	205	205
Two Glass Windowed Ends ⁷	1,710	1,910	1,710	1,910	1,710	1,910	1,710	1,910	n/a	n/a

Fan Motors (115V/1/60)	Amps	Watts	Amps	Watts	Amps	Watts	Amps	Watts	Amps	Watts
Standard Shaded Pole Motor ⁴	1.23	92	1.85	138	2.42	290	3.08	230	0.62	46
Permanent Split Capacitor (PSC) ⁴	0.42	56	0.63	84	0.84	112	1.05	140	0.21	28
High Efficiency (Electronic) ⁴	1.20	42	1.80	63	2.40	84	3.00	105	0.60	21
Lighting System (120V/1/60)	Amps	Watts	Amps	Watts	Amps	Watts	Amps	Watts	Amps	Watts
T-8 Electronic	1.45	174	1.94	233	2.42	290	2.91	349	0.58	70
Fiber Optic	1.42	170	1.42	170	2.83	340	2.83	340	0.57	68
Anti-Sweat Door Heaters (115V/1/60)	Amps	Watts	Amps	Watts	Amps	Watts	Amps	Watts	Amps⁶	Watts⁶
Anthony 101 (Standard Energy Doors) ⁵	3.75	431	5.42	623	7.07	813	8.73	1,004	1.70	195
Gemtron Polar (Standard Energy Doors) ⁵	4.00	460	5.70	656	7.50	863	9.20	1,058	1.84	212
Anthony ELM (Low Energy Doors) ⁵	2.21	254	3.11	358	3.99	459	4.88	561	0.93	106
Anthony E2 (No Energy Doors) ⁵	1.83	220	2.50	300	3.20	384	3.94	4.73	0.74	85
Defrost Heaters (208V/1/60)	Amps	Watts	Amps	Watts	Amps	Watts	Amps	Watts	Amps	Watts
Defrost Heater	8.08	1,680	12.16	2,530	16.15	3,360	20.19	4,200	4.04	840

Notes:

- Case designed to operate in an ambient temperature of 75° F or lower and relative humidity of 55% or lower.
- Baseline Evaporator Btuh based on parallel rack system, T-8 lighting, high efficiency fan motors(electronic), and Anthony ELM doors.
- Multiply total btuh rating by 1.04 for conventional condensing units (non-rack system).
- Amps are based on nameplate rating.
- Door Options: Std. Energy - Heated Glass and Rails, Low Energy - No-Heat Glass and Heated Rails, No Energy - No-Heat Glass and Rails.
- Right end perimeter anti-sweat heater is disconnected when cases are joined in a line up.
- Windowed end - 1.4 amps per end, 160 Watts.
- Features and specifications subject to change without notice.

Physical Data

Refrigeration Piping	
Suction Line O.D.	7/8"
2/3 Door Suction Line O.D. (Top Refrigeration Connection)	5/8"
4/5 Door Suction Line O.D. (Top Refrigeration Connection)	7/8"
Liquid Line O.D. (Electric Defrost)	3/8"
Liquid Line O.D. (Hot Gas Defrost)	1/2"

Weight	
Model	(lbs.)
2RVZC30T	720
3RVZC30T	1,002
4RVZC30T	1,342
5RVZC30T	1,710
End Panel	63

RVZC30T SPEC 10-05 R1



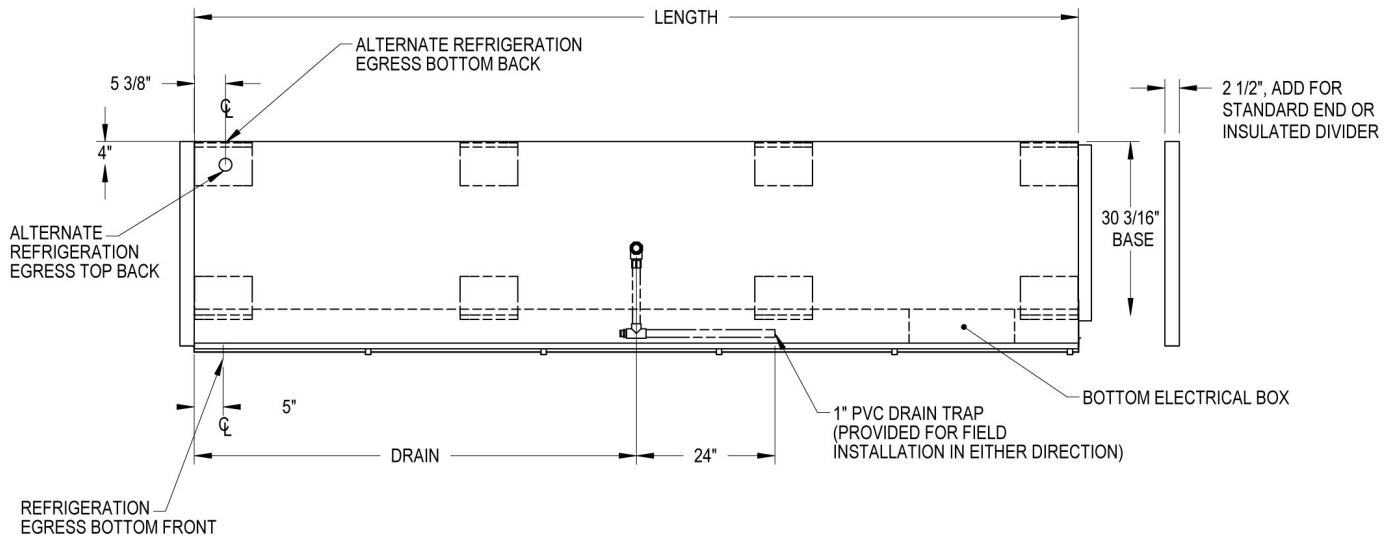
Zero Zone, Inc. 110 N. Oakridge Dr. North Prairie, WI 53153-9792
 (800) 247-4496 E-mail: sales@zero-zone.com
 www.zero-zone.com



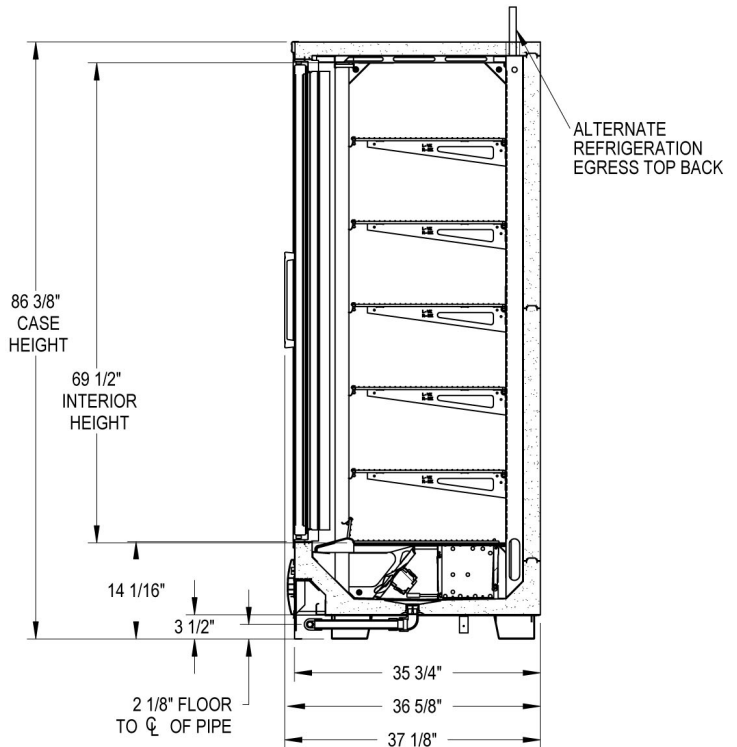
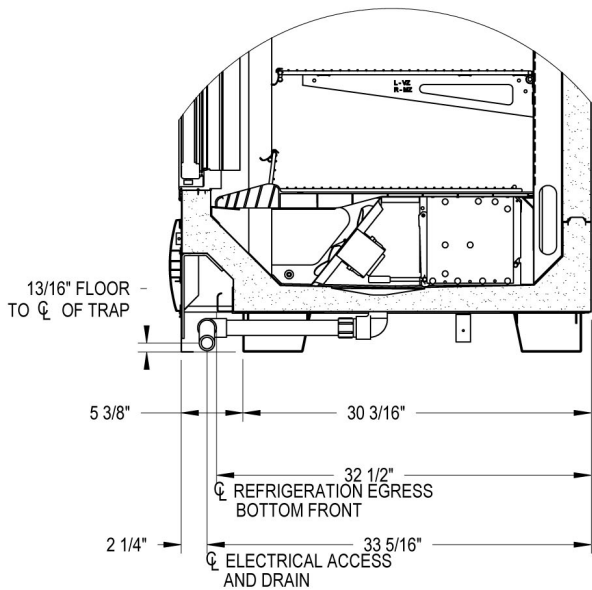


RVZC30T Specifications

Remote Reach-In Tall Freezer Case



Doors	Length	Drain
1	31 5/8"	15 13/16"
2	62 1/16"	31 1/32"
3	92 1/2"	46 1/4"
4	122 15/16"	61 15/32"
5	153 3/8"	76 11/16"



NOTE: ALL DIMENSIONS ARE NOMINAL.



Zero Zone, Inc. 110 N. Oakridge Dr. North Prairie, WI 53153-9792
 (800) 247-4496 E-mail: sales@zero-zone.com
 www.zero-zone.com

