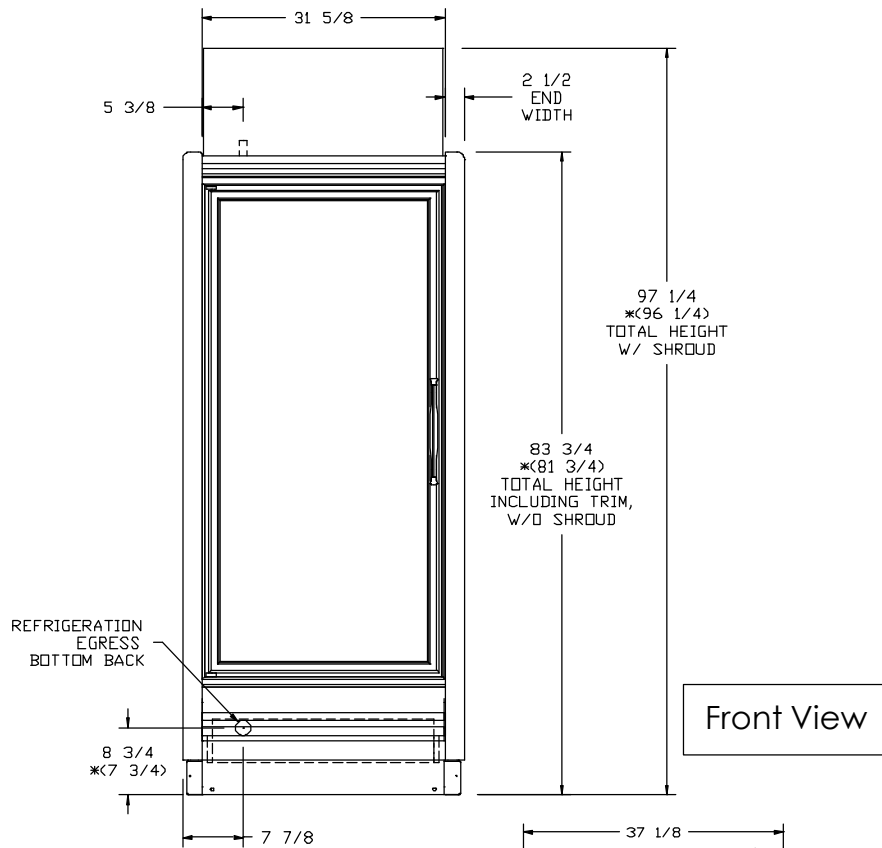


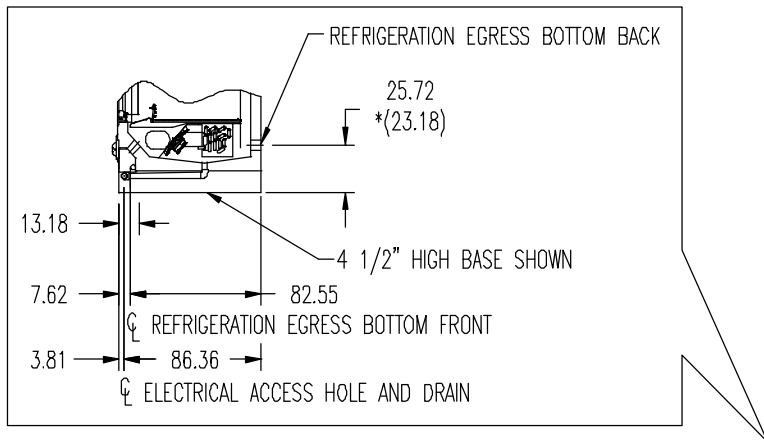


1RMZC30SC SPECIFICATION SHEET

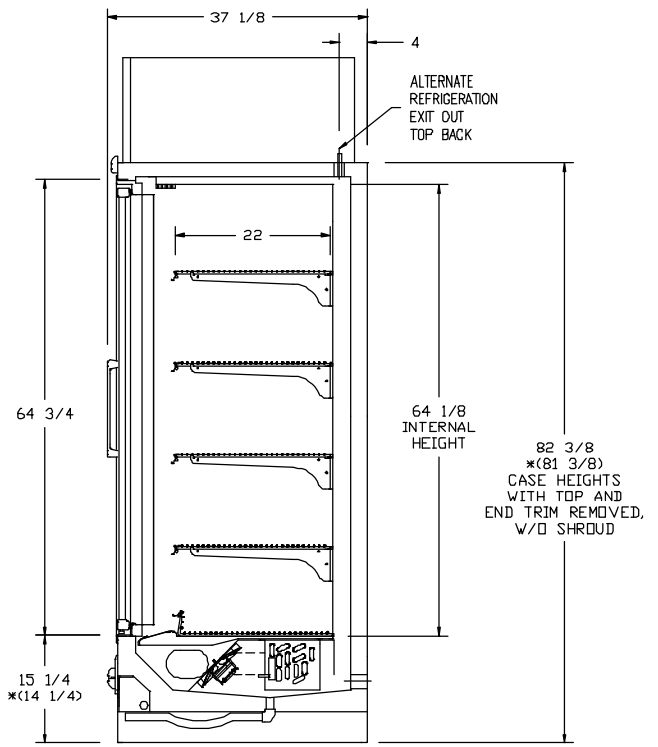


Front View

* NOTE: CASE DIMENSIONS SHOWN REFLECT STANDARD 4-1/2" HIGH BASES
 DIMENSIONS SHOWN IN (PARENTHESIS) REFLECT 3-1/2" BASES.



Partial Side View (Bottom)



Side View

*USES 3 1/2" BASE

Zero Zone, Inc. • 110 N. Oakridge Dr.
 North Prairie, WI 53153-9792
 1-800-247-4496 • FAX: 1-262-392-6450
 www.zero-zone.com

All specifications are subject to change without notice.



1RMZC30SC SPECIFICATION SHEET

CAPACITY & WEIGHT SPECIFICATIONS		
MODEL NUMBER	CAPACITIES	
	USABLE CUBIC FEET	VERTICAL SURFACE SQUARE FOOTAGE
1RMZC30SC	26	14
	WEIGHT IN POUNDS*	
	760 (ESTIMATE)	
*WEIGHT BASED ON UNCRATED CASES AND FULLY SHELVED.		

ELECTRICAL SPECIFICATIONS							
MODEL NUMBER	FANS AMPS	T-8 LIGHTS AMPS	T-10 LIGHT AMPS	ANTI-SWEAT HEATERS	DEFROST HEATER AMPS 115V/1/60HZ.	CONDENSING UNIT 115V/1/60 HZ.	CONDENSATE PUMP AND HEATED PAN 115V/1/60HZ
ANTHONY DOORS							
1RMZC30SC	0.34	0.97	1.50	2.00	9.1	8.0	1.67
SUBTRACT 0.2 AMPS FOR PSC FAN MOTORS VOLTAGE: 115 VOLTS 1 PHASE 60 HZ.							
** SELF-CONTAINED CASE REQUIRES 115V 1 PHASE 25 AMP CIRCUIT **							

Zero Zone, Inc. • 110 N. Oakridge Dr.
 North Prairie, WI 53153-9792
 1-800-247-4496 • FAX: 1-262-392-6450
 www.zero-zone.com

All specifications are subject to change without notice.