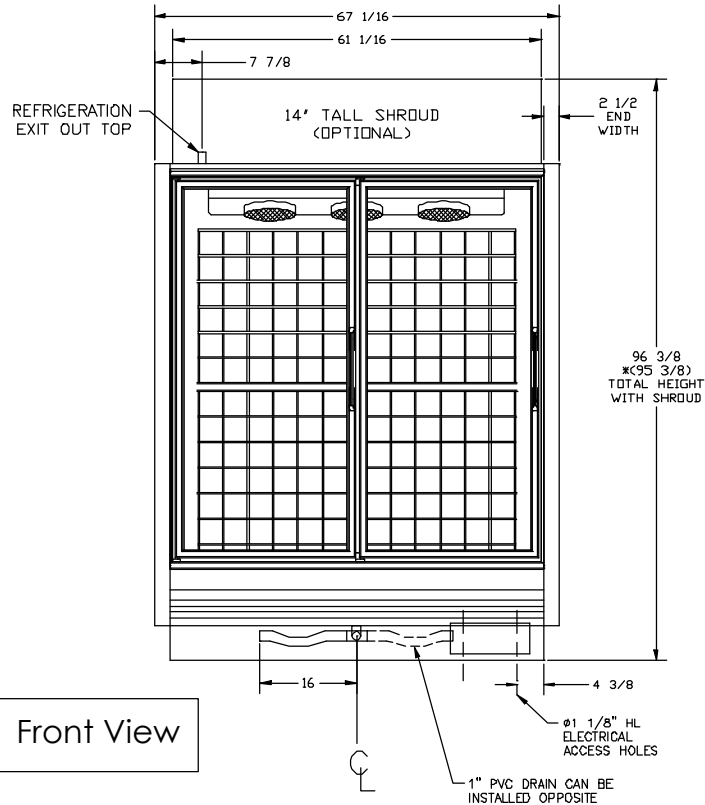
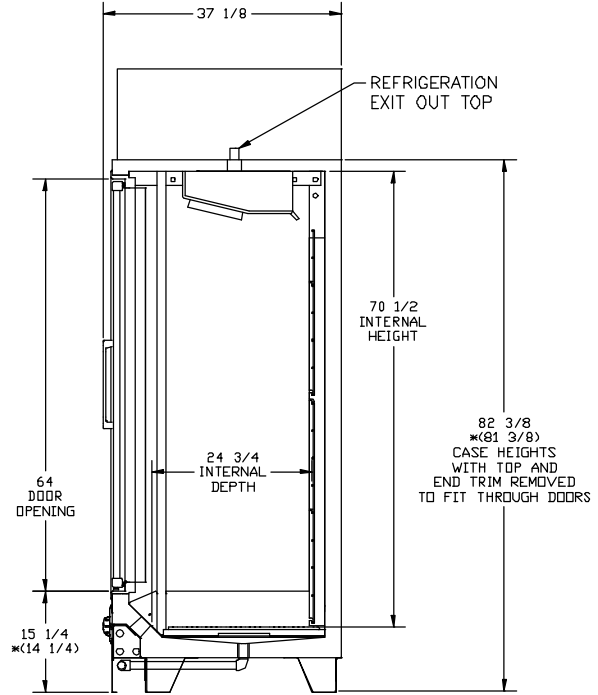




# 2RMZN30IM/SC SPECIFICATION SHEET



Front View



Side View

\*USES 3 1/2" BASE

REFRIGERANT CONNECTION SIZES		
MODEL NUMBER	SUCTION LINE O.D.	LIQUID LINE O.D.
2RMZN30IM	1/2	3/8

MODEL NUMBER	WEIGHT IN POUNDS*
2RMZMN30IM	690 (ESTIMATE)
2RMZMN30IMSC	890 (ESTIMATE)

\*WEIGHT BASED ON UNCRATED CASES W/ ENDS.

ELECTRICAL SPECIFICATIONS				
MODEL NUMBER	FANS AMPS 208/230V/1/60 HZ.	ANTHONY T-8 LIGHTS AMPS 115V/1/60 HZ.	ANTHONY ANTI-SWEAT HEATERS 115V/1/60 HZ.	DEFROST HEATER AMPS 208/230V/1/60HZ.
2RMZN30IM	1.50	1.45	4.42	8.50
VOLTAGE: 208-230 VOLTS 1 PHASE 60 HZ.				
<b>SELF-CONTAINED CASE REQUIRES 208/230V 1 PHASE 30 AMP CIRCUIT</b>				

CASE CAPACITY	
MODEL NUMBER	2RMZN30IM
USABLE CUBIC FEET	51
VERTICAL SURFACE SQUARE FOOTAGE	28

BTU/HR ENERGY REQUIREMENTS: 0°F EVAPORATOR (+7°F AVERAGE PRODUCT TEMPERATURE)		
MODEL NUMBER	BTU/HR @ 0°F	BTU/HR RATING BASED ON T-8 LIGHTING AND SINGLE CONDENSING UNIT.
2RMZN30IM	4,100	CASE DESIGNED TO OPERATE IN AN AMBIENT OF 75°F OR LOWER AND RELATIVE HUMIDITY OF 55% OR LOWER.

Zero Zone, Inc. • 110 N. Oakridge Dr.  
North Prairie, WI 53153-9792  
1-800-247-4496 • FAX: 1-262-392-6450  
www.zero-zone.com



All specifications are subject to change without notice.