



RMCP24 SPECIFICATION SHEET

ELECTRICAL CONNECTION (B) & DRAIN (C) LOCATION SCHEDULE		
MODEL NUMBER	B	C
2RMCP24	51 7/8	26
3RMCP24	75 5/8	37 7/8
4RMCP24	99 3/8	49 5/8
5RMCP24	123 1/8	61 5/8

RMCP24 CAPACITY SPECIFICATIONS			
CASE SIZE	SHELVING 24 X 25 3/4"	CUBIC FEET CAPACITIES	WEIGHT*
	GROSS SQ. FT.	GROSS CUBIC FT.	POUNDS
2	43.00	52.9	511
3	64.40	77.3	668
4	85.80	101.5	820
5	107.30	125.8	973

WEIGHT BASED ON UNCRATED CASES WITHOUT ENDS, AND FULLY SHELVED.
SINGLE END WEIGHT: 54#

REFRIGERATION LOCATION SCHEDULE	
MODEL	A
2RMCP24	13 1/8
3RMCP24	20 3/4
4RMCP24	23 7/8
5RMCP24	37 7/8

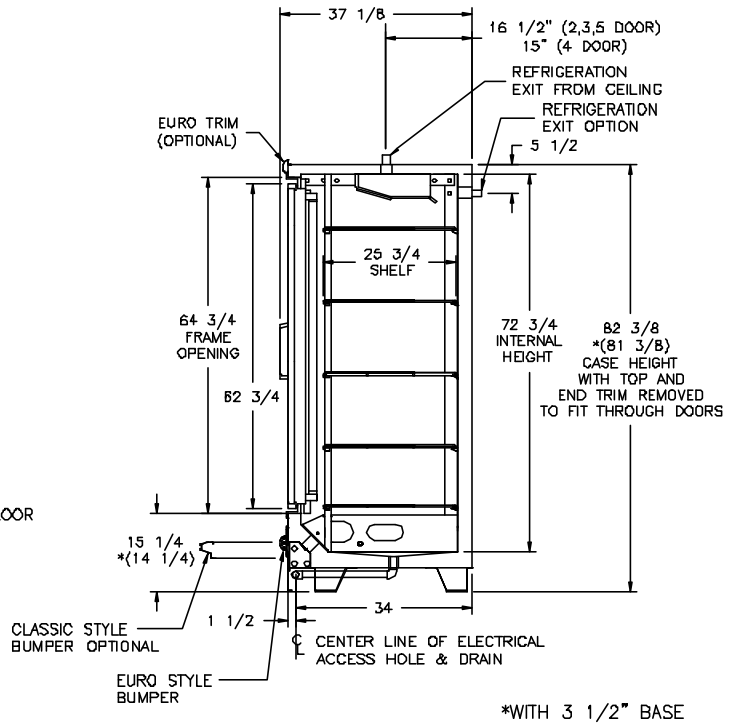
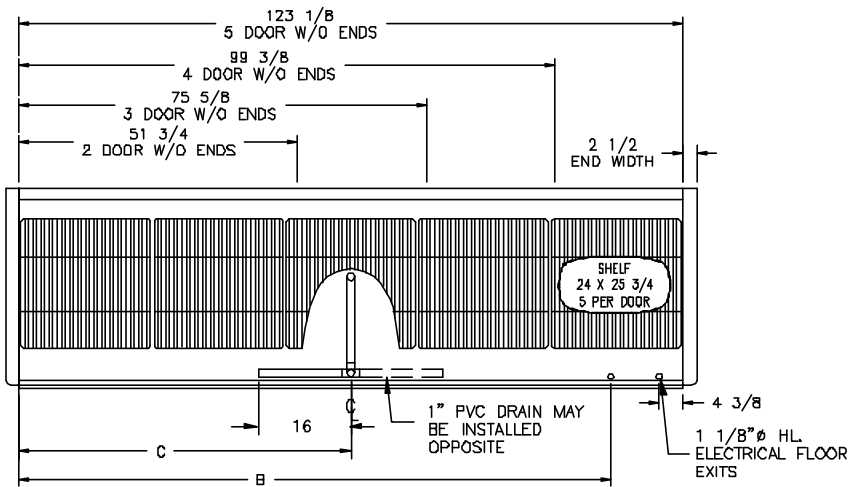
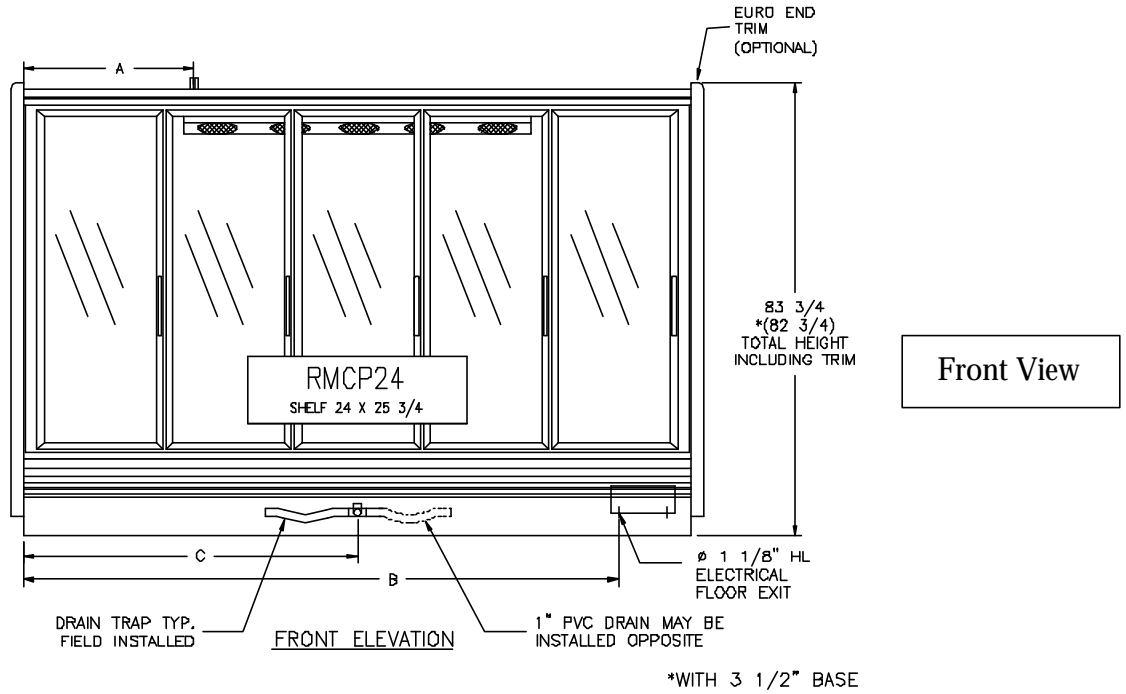
ELECTRICAL SPECIFICATIONS BY DOOR MANUFACTURER									
MODEL NUMBER	FANS AMPS	T-12 LIGHT AMPS ONE END*	T-12 LIGHT AMPS BOTH ENDS	T-8 LIGHT AMPS	STD. DOOR	MULLION	FRAME	FRAMELESS DOOR	TOTAL FRAME MULLION STD. DOOR
ANTHONY DOORS									
2RMCP24	2.4	1.65	2.4	1.45	0.6	0.4	0.86	0	1.86
3RMCP24	2.4	2.4	3.3	1.94	0.90	0.8	0.93	0	2.63
4RMCP24	3.2	3.3	4.05	2.42	1.2	1.2	1.03	0	3.43
5RMCP24	4	4.05	4.8	2.91	1.8	1.6	1.22	0	4.62
ARDCO DOORS									
2RMCP24	2.4	1.65	2.4	1.89	0.24	0.48	0.31	0	1.03
3RMCP24	2.4	2.4	3.3	2.34	0.36	0.72	0.39	0	1.47
4RMCP24	3.2	3.3	4.05	3.06	0.48	0.96	0.43	0	1.87
5RMCP24	4	4.05	4.8	3.51	0.6	1.2	0.53	0	2.33
* STANDARD FOR CASE IN A LINE-UP									
VOLTAGE: 115 VOLTS 1 PHASE 60 HZ.									
BTU/HR ENERGY REQUIREMENTS: FOR PRODUCT TEMPERATURE OF 37°F TO 41°F WITH 20°F EVAPORATOR									
# OF DOORS	BTU/HR	BTU/HR RATING BASED ON 800 MA T-12 LIGHTING AND PARALLEL RACK SYSTEM. MULTIPLY BY 1.04 FOR CONVENTIONAL SYSTEM.							
2	2515	CASE DESIGNED TO OPERATE IN AN AMBIENT OF 75°F OR LOWER AND RELATIVE HUMIDITY OF 55% OR LOWER							
3	3355								
4	4180								
5	4965								

Zero Zone Inc. • 110 N. Oakridge Dr.
North Prairie, WI 53153-9792
1-800-247-4496 • FAX: 1-262-392-6450
www.zero-zone.com

All specifications are subject to change without notice.



RMCP24 SPECIFICATION SHEET



Top View
Shown in Section
5RMCP24

Side View

Zero Zone Inc. • 110 N. Oakridge Dr.
North Prairie, WI 53153-9792
1-800-247-4496 • FAX: 1-262-392-6450
www.zero-zone.com

All specifications are subject to change without notice.