

FILLER PANEL INSTALL INSTRUCTIONS

Instructions for how to install the 3 kinds of filler panels: kickplate filler panels, end panel filler panels, and shroud filler panels. Filler panels cover gaps between a Zero Zone display case and a wall (See Figure 1) or between a pair of Zero Zone cases set back-to-back (See Figure 2) or back-to-side (See Figure 3). Install after the case is set.

Quantities per Case		
Part Number	Description	Quantity
31-0225	Kickplate Filler Panel	1
70-0433	End Panel Filler Panel	2
70-0636	Shroud Filler Panel	1
64-0207	8-18 x 1/2" Hex Screw	9

FIGURE 1: Case-to-Wall

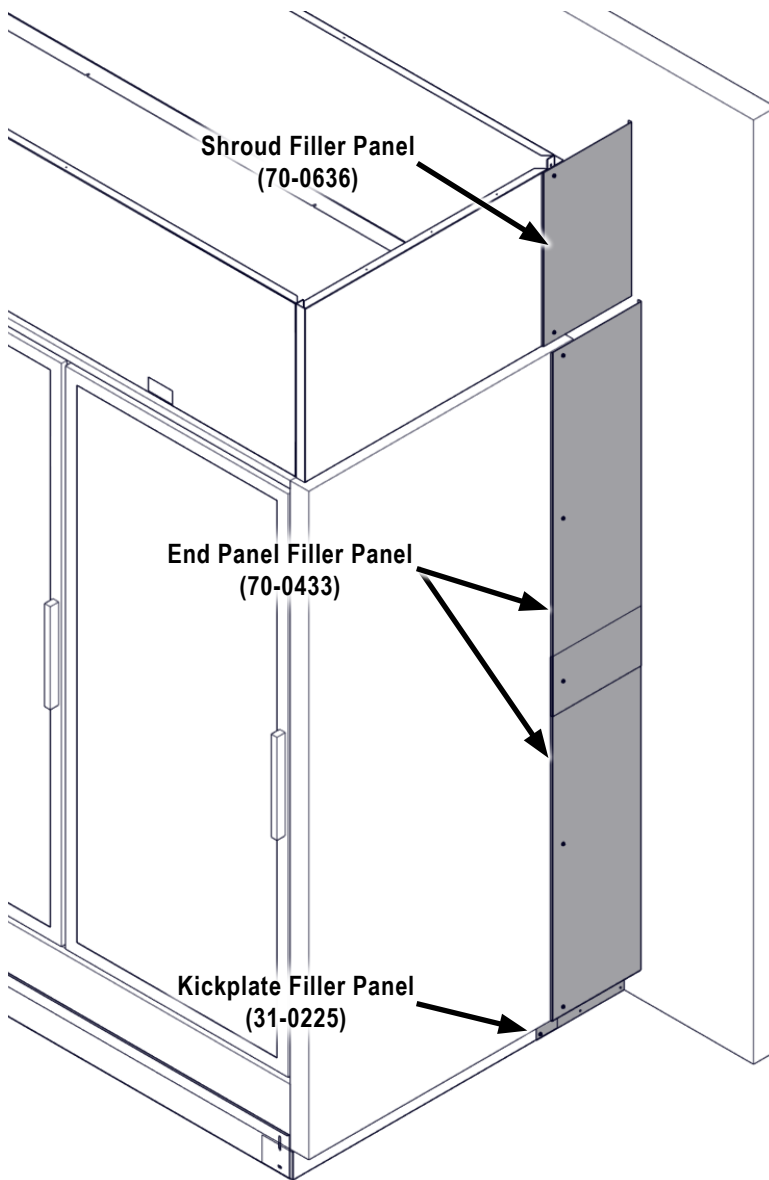


FIGURE 2: Case-to-Case, Back-to-Back

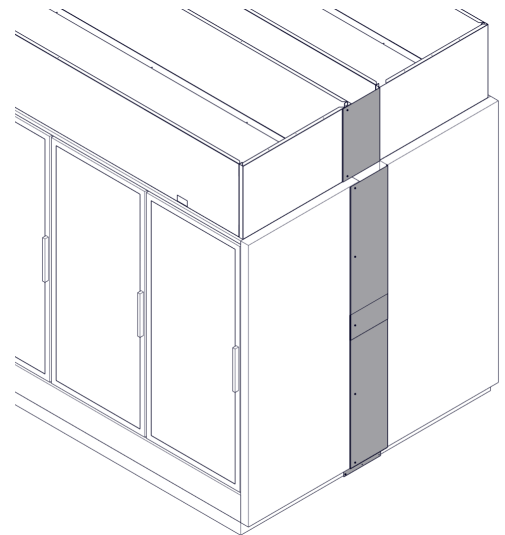
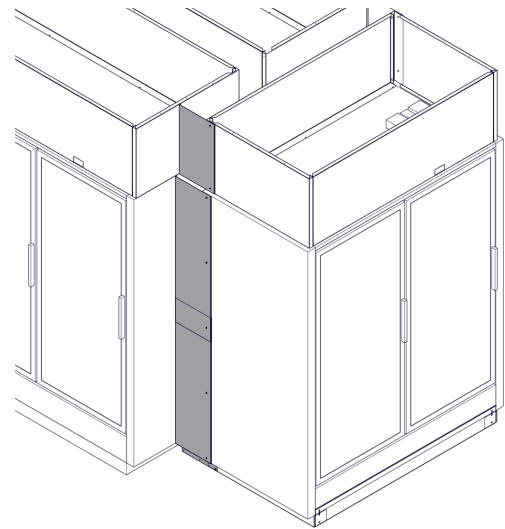


FIGURE 3: Case-to-Case, Back-to-Side



Cases must be set with at least 3" behind the case to allow for airflow.



FILLER PANEL INSTALL INSTRUCTIONS

See Figure 4 for filler panel installation.

KICKPLATE FILLER PANEL INSTALLATION

1. Position the kickplate filler panel (31-0225) over the gap between the kickplate and the wall or other case (See Figure 5).
2. Screw it into the kickplate using 2 hex screws (64-0207).

END PANEL FILLER PANELS INSTALLATION

3. There will be 2 end panel filler panels (70-0433), which will overlap each other.
4. Position the lower end panel filler panel over the gap between the end panel and the wall or other case. Push the 90° bent edge so it is nearly flush against the wall or other case, allowing space for the overlapping panel (See Figure 6). The bottom of the lower end panel filler panel should be flush with the bottom of the end panel.
5. Screw it into place using the bottom 2 screws (64-0207).
6. Position the upper end panel filler panel above the lower one. Push the 90° bent edge flush against the wall or other case. The top of the upper end panel filler panel should be flush with the top of the end panel.
7. Screw it into place using 3 screws. Both end panel filler panels will share the screw at the overlap.

SHROUD FILLER PANEL INSTALLATION

8. Position the shroud filler panel (70-0636) between the shroud and the wall or other case. Push the 90° bent edge flush against the wall or other case (See Figure 6). The top of the shroud filler panel should be flush with the top of the shroud.
9. Screw it into the shroud using 2 hex screws (64-0207).

FIGURE 4: Case-to-Case, Back-to-Back (Exploded)

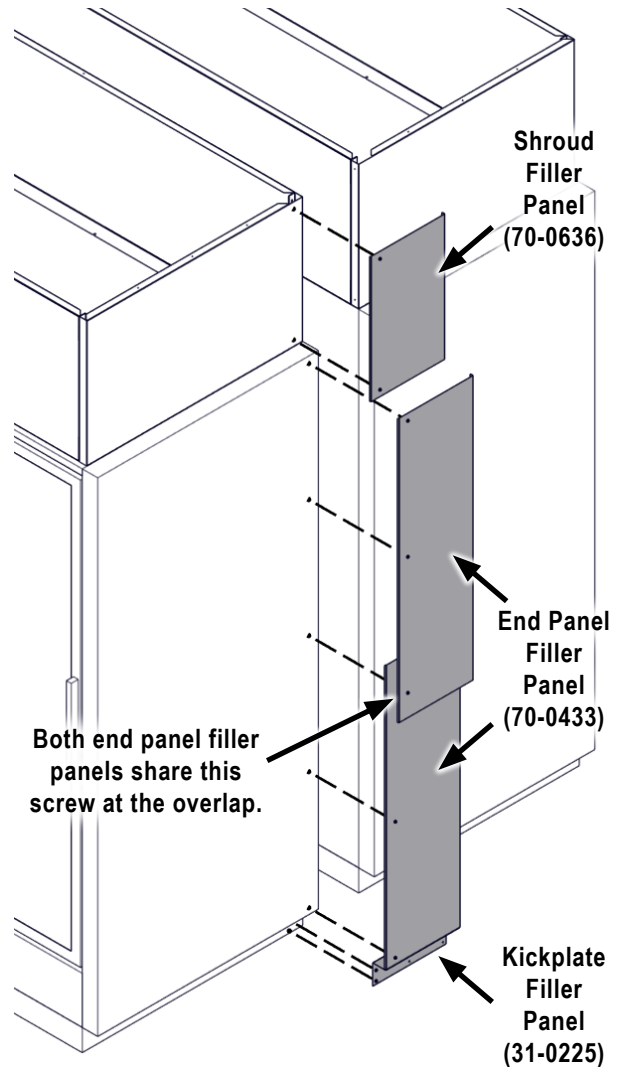


FIGURE 5: Kickplate Filler Panel Installation

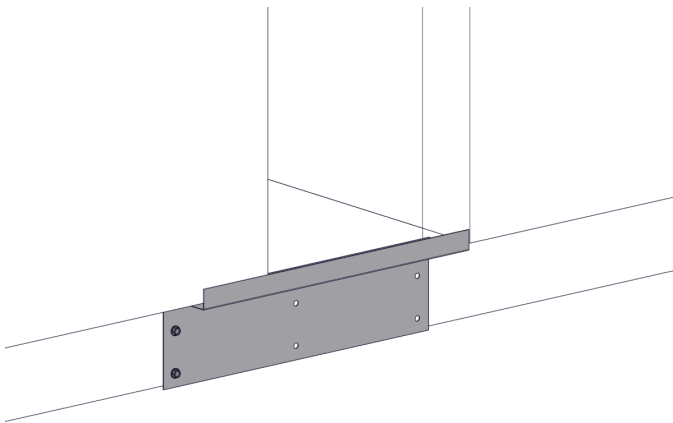


FIGURE 6: Push Bent Edge Against Wall or Other Case

