



Reveal Merchandiser® Tall ORMC87(L/M/H)-(D/P) Specs

Open Multi-Decks (Tall Height)

ORMC87(L/M/H)-(D/P): (L=Low, M=Medium, H=High Sill Height)-(D=Dairy or Deli, P=Produce)

Refrigeration Data

Refrigeration	Lineup Data	Individual Case Data (Includes 1 Pair of End Panels)			
	Per Foot Avg.	4'	6'	8'	12'
Evaporator Temperature (°F) ^{1,2}	26	26	26	26	26
Baseline Btu/h ^{3,4}	1,393	6,152	9,054	11,839	17,411
Discharge Air Temperature (°F) (w/ 8°F Superheat) ⁵	34	34	34	34	34
Discharge Air Velocity (fpm) ⁶	260	260	260	260	260
Btu/h Deducts	Btu/h Per Foot	Btu/h	Btu/h	Btu/h	Btu/h
High Sill	40	160	240	320	480
Btu/h Adders	Btu/h Per Foot	Btu/h	Btu/h	Btu/h	Btu/h
Low Sill	40	160	240	320	480
Canopy LED (Zero Zone ChillBrite) 2nd Row	13	52	78	104	156
Nose LED (Zero Zone ChillBrite)	7	28	42	56	84
Under Shelf LED (Zero Zone ChillBrite) Per Row	10	40	60	80	120

Electrical & Energy Data ⁷

Electrical & Energy Data ⁷	Lineup Data		Individual Case Data (Includes 1 Pair of End Panels)							
	Per Foot Avg.		4'		6'		8'		12'	
Fan Motors (115V)	Amps	Watts	Amps	Watts	Amps	Watts	Amps	Watts	Amps	Watts
High Efficiency Electronic (ECM or SSC)	0.11	7.7	0.60	42	0.60	42	0.90	63	1.20	84
Lighting System (115V)	Amps	Watts	Amps	Watts	Amps	Watts	Amps	Watts	Amps	Watts
LED Lighting (Zero Zone ChillBrite) Per Row Canopy	0.047	5.8	0.19	23	0.28	35	0.38	46	0.56	69
LED Lighting (Zero Zone ChillBrite) 1-Row Nose	0.023	2.9	0.09	12	0.14	17	0.19	23	0.28	35
LED Lighting (Zero Zone ChillBrite) Per Row Under Shelf	0.012	1.5	0.05	6	0.07	9	0.10	12	0.14	17

Physical Data

Physical Data	Outlet Size (in.)				
	4'	6'	8'	12'	
Refrigeration Piping ⁸					
Suction Line O.D. (Top Refrigeration Exit)	5/8	5/8	7/8	7/8	
Liquid Line O.D.	3/8	3/8	3/8	3/8	
Case Calculations	Solid End Panel	4'	6'	8'	12'
Weight (lbs.)	30	468	702	819	1,265

Operating Set Points

Operating Set Points	R-404A	R-448A
Off-Cycle Defrost		
Time Per Defrost (Minutes)	30	30
Drip Time (Minutes)	N/A	N/A
EPR Settings (psig)	64	56
Frequency (Per Day)	4	6

Notes:

- For high-glide refrigerants, use dew point for unit sizing. Adjust evaporator pressure as needed to maintain discharge air temperatures.
- Evaporator temperatures listed above are for unlit, flat shelves. Evaporator temperatures may need to be reduced for lit and/or angled shelves or aftermarket display accessories.
- Baseline Evaporator Btu/h based on parallel rack system, 1 row LED canopy lighting (Zero Zone ChillBrite®), ECM or SSC electronic fan motors, 4 rows of 22" solid shelves, and medium sill height.
- For condensing units (non-rack system), multiply total Btu/h rating by 1.09 (R-404A) or 1.14 (R-448A).
- Discharge air temperature is measured at the outlet of the honeycomb.

- Discharge air velocity is average velocity at peak of defrost.
- Amps are based on electrical nameplate values. Watts are based on laboratory observations of actual energy use.
- Use 0.5 lb/ft evaporator refrigerant charge for receiver sizing.

Case Performance Notes:

- Btu/h load increases by approximately 120 Btu/h per foot for aftermarket shelving/merchandising.
- Operating temperature and defrost set points may need to be adjusted for alternate shelving, store conditions, or packout.
- A minimum 20° evaporator is recommended without positive defrost.

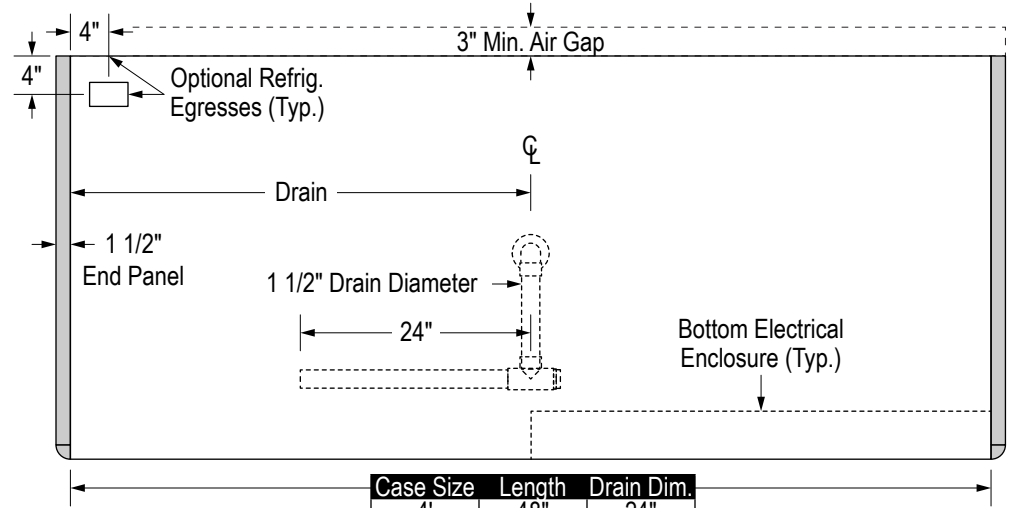


Reveal Merchandiser® Tall ORMC87(L/M/H)-(D/P) Specs

Open Multi-Decks (Tall Height)

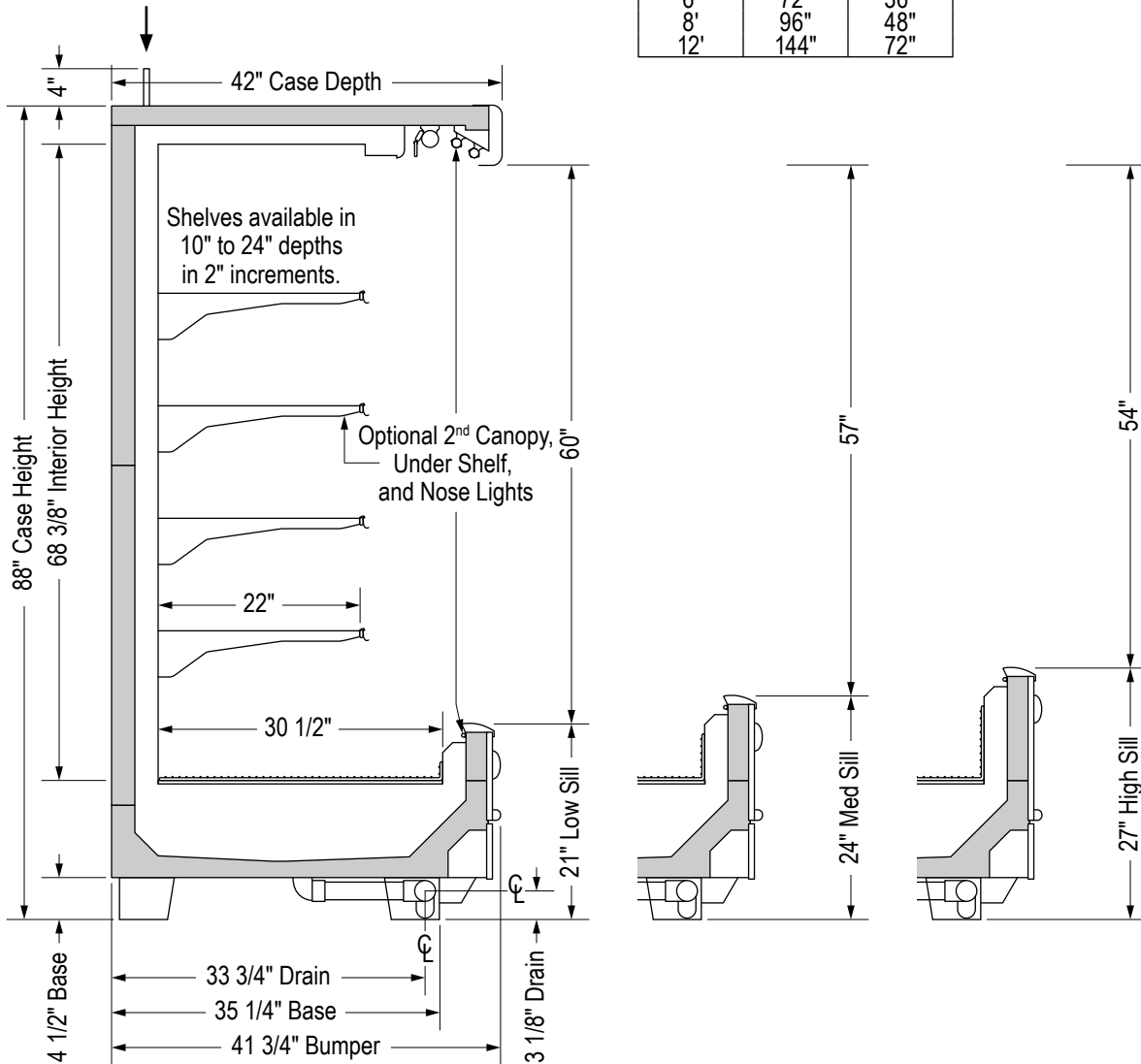
ORMC87(L/M/H)-(D/P): (L=Low, M=Medium, H=High Sill Height)-(D=Dairy or Deli, P=Produce)

- Other base options available.
- If 24" shelves are used at an angle, the top shelf must be 22" or less.



Top refrigeration connections increase case height by up to 4".

Case Size	Length	Drain Dim.
4'	48"	24"
6'	72"	36"
8'	96"	48"
12'	144"	72"



SS-75-C

Specifications are subject to change without notice. All dimensions are nominal. Case designed to operate in an ambient temperature of 75°F and relative humidity of 55% or lower. Reveal Merchandiser® is a registered trademark of Zero Zone, Inc. in the United States.

5/5/2021



Zero Zone, Inc.
800-247-4496 • www.zero-zone.com
© 2021 Zero Zone, Inc.

