

# Z-SHROUD INSTALLATION INSTRUCTIONS

Instructions for installing z-shrouds on top of a Zero Zone display case. Install after the case is set. Cases must be set with at least 3" behind the case to allow for airflow. Maximum distances from walls or between cases shown in the figures.

## SET UP

Parts: front z-shrouds, end cap z-shrouds (RH, LH, and side), z-shroud brackets, and hex screws.

- Identify which figure best matches your case layout. Refer to it for how to set up z-shroud parts.
- Front z-shrouds are set 7" back from the front of the case. We suggest measuring and snapping a chalk line as a guide.
  - 8" tall front z-shrouds may have a cutout for motion sensor wiring, which can be knocked out as applicable (See Figure 1).
- End cap z-shrouds are used at corners and ends. There are 3 types of end cap z-shrouds:
  - RH ("right hand") end cap z-shrouds have a vertical flange on the left end (See Figure 2).
  - LH ("left hand") end cap z-shrouds have a vertical flange on the right end (See Figure 3).
  - Side end cap z-shrouds do not have any vertical flanges (See Figure 5).

FIGURE 1: Front Z-Shroud

Shown from the front.

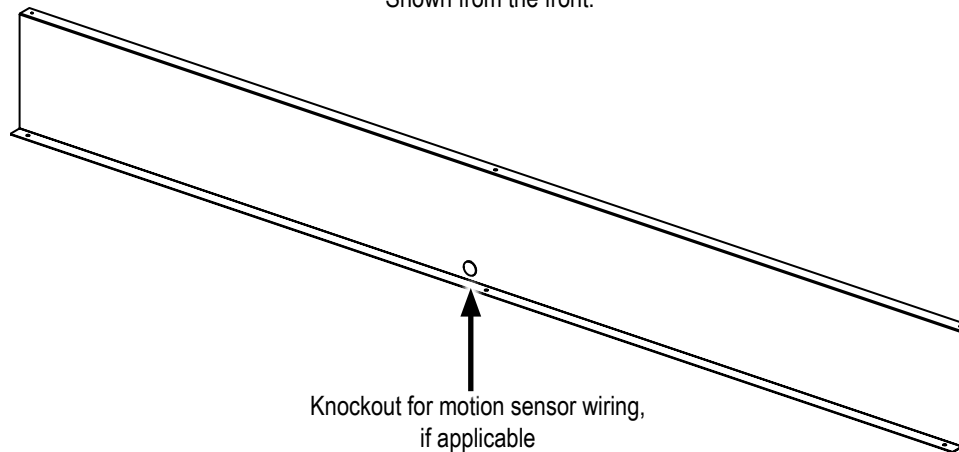


FIGURE 4: Z-Shroud Bracket

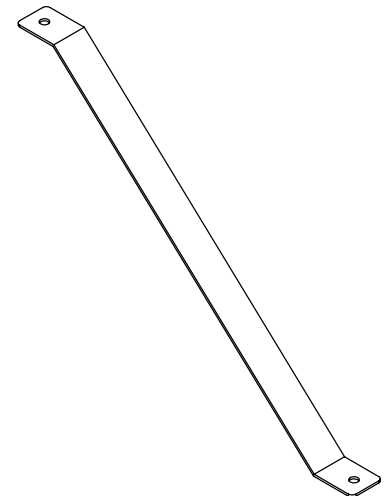


FIGURE 2: RH End Cap Z-Shroud

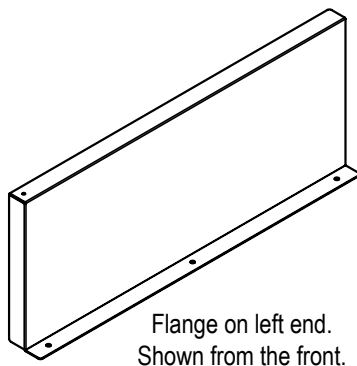


FIGURE 3: LH End Cap Z-Shroud

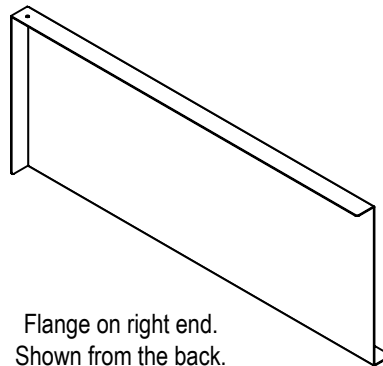
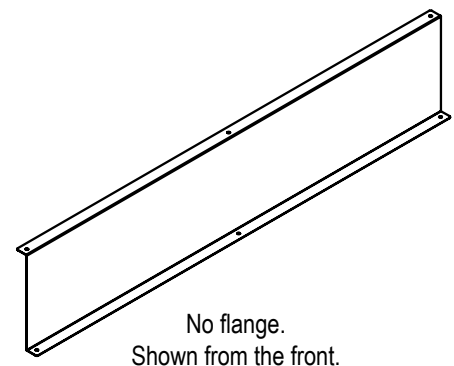


FIGURE 5: Side End Cap Z-Shroud

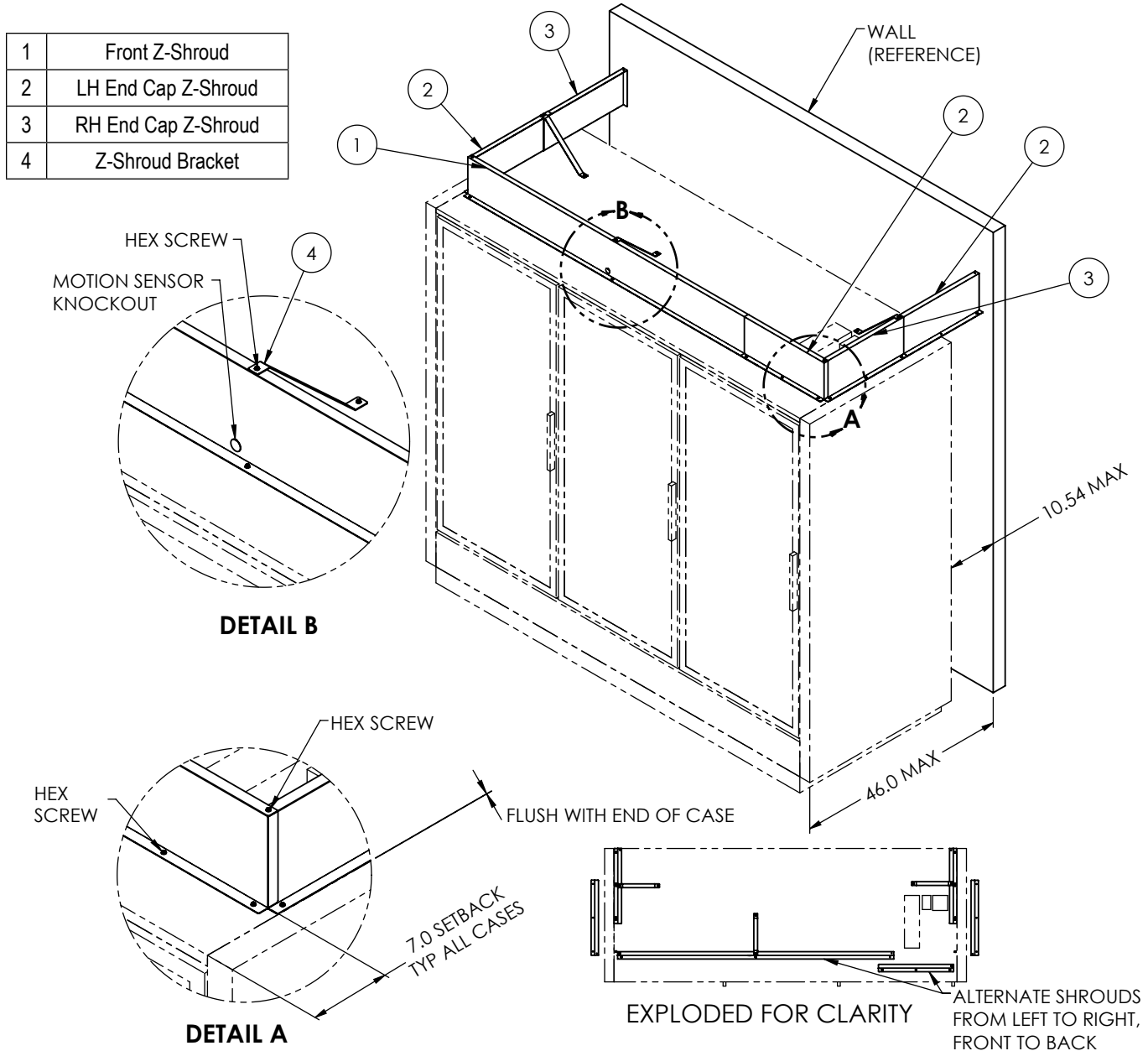


# Z-SHROUD INSTALLATION INSTRUCTIONS

## INSTALLATION

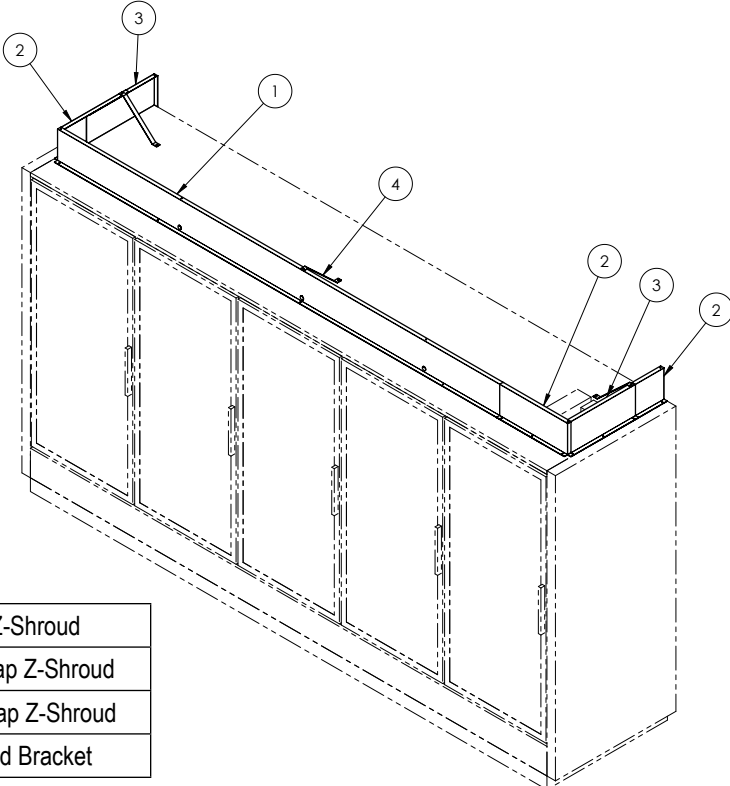
1. Start with the corners. Position the front z-shroud 7" back from the front of the case. Position the end-cap z-shroud flush along the end of the case. Fasten all z-shrouds to the top of the case, not to the end panels. Use provided screws.
2. Install remaining front and end cap z-shrouds to complete the layout. Set z-shrouds to overlap at the joints. Along ends of cases or lineups, the z-shroud should be flush to the back of the case or to the wall. Use provided screws at each hole.
3. Install shroud support brackets on 8" or 9" tall front and end cap z-shrouds where indicated. (Not used with 4" tall z-shrouds.) Fasten the support brackets to the z-shrouds and the case. Install a support bracket roughly every 9', and install 1 support bracket per end of case/ lineup. Use existing holes in the z-shrouds.

FIGURE 6: Single 2 or 3 Door Case



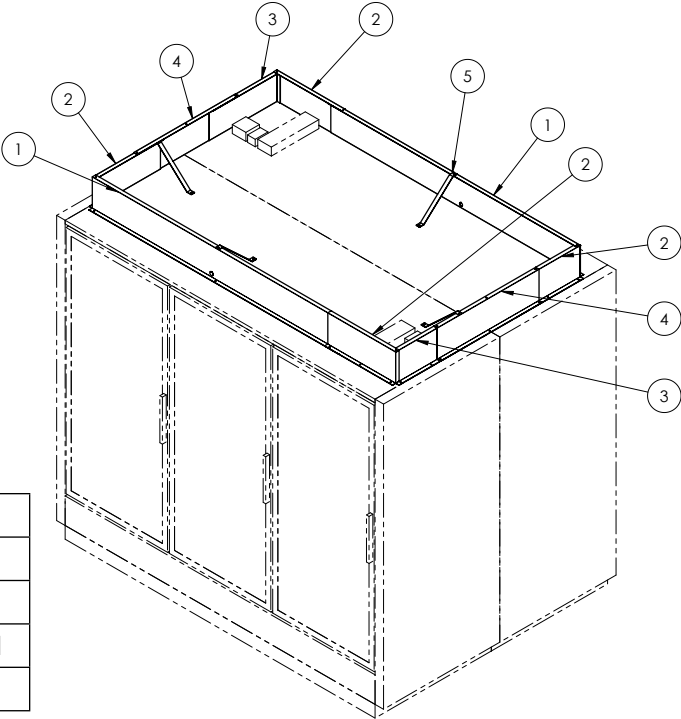
# Z-SHROUD INSTALLATION INSTRUCTIONS

FIGURE 7: Single 4 or 5 Door Case



1	Front Z-Shroud
2	LH End Cap Z-Shroud
3	RH End Cap Z-Shroud
4	Z-Shroud Bracket

FIGURE 8: Single 2 or 3 Door Back-to-Back (BB) Case

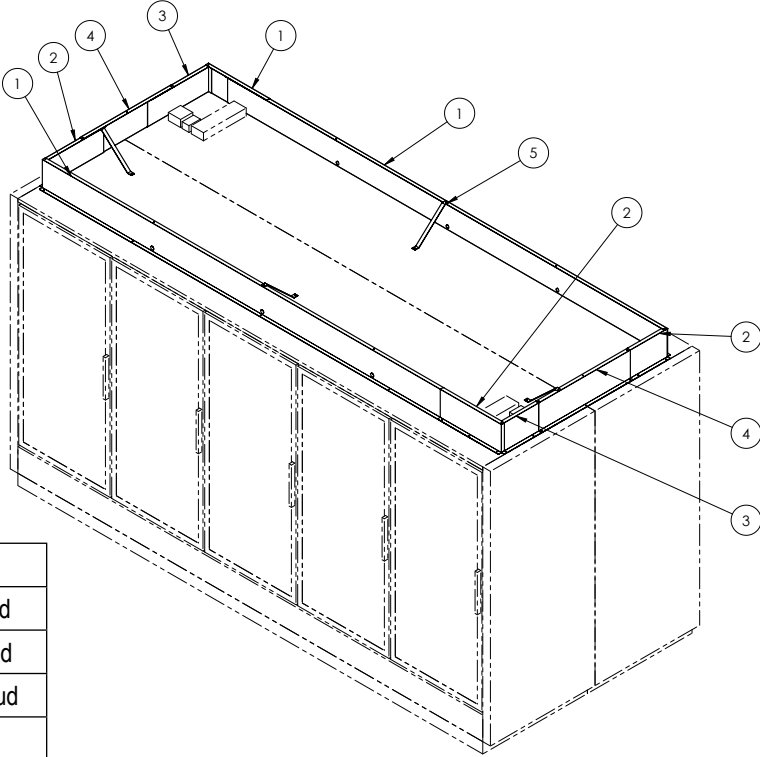


1	Front Z-Shroud
2	LH End Cap Z-Shroud
3	RH End Cap Z-Shroud
4	Side End Cap Z-Shroud
5	Z-Shroud Bracket



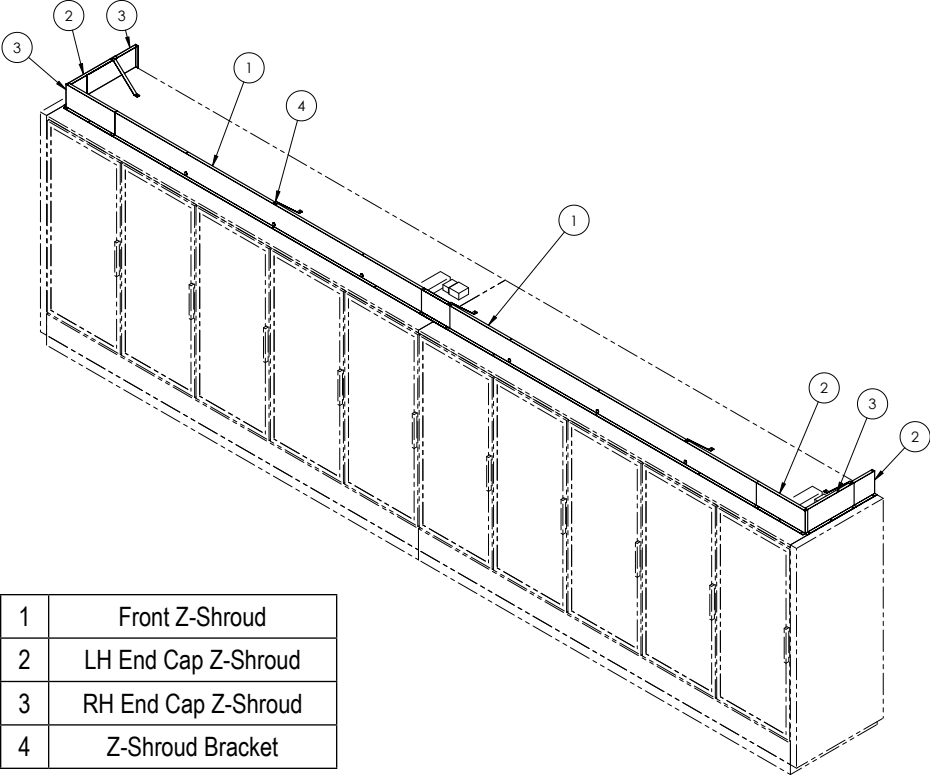
# Z-SHROUD INSTALLATION INSTRUCTIONS

FIGURE 9: Single 4 or 5 Door Back-to-Back (BB) Case



1	Front Z-Shroud
2	LH End Cap Z-Shroud
3	RH End Cap Z-Shroud
4	Side End Cap Z-Shroud
5	Z-Shroud Bracket

FIGURE 10: Lineup of Cases



1	Front Z-Shroud
2	LH End Cap Z-Shroud
3	RH End Cap Z-Shroud
4	Z-Shroud Bracket



# Z-SHROUD INSTALLATION INSTRUCTIONS

FIGURE 11: Back-to-Back (BB) Lineup of Cases with End Cap Case (offset to right)

1	Front Z-Shroud
2	LH End Cap Z-Shroud
3	RH End Cap Z-Shroud
4	Z-Shroud Bracket

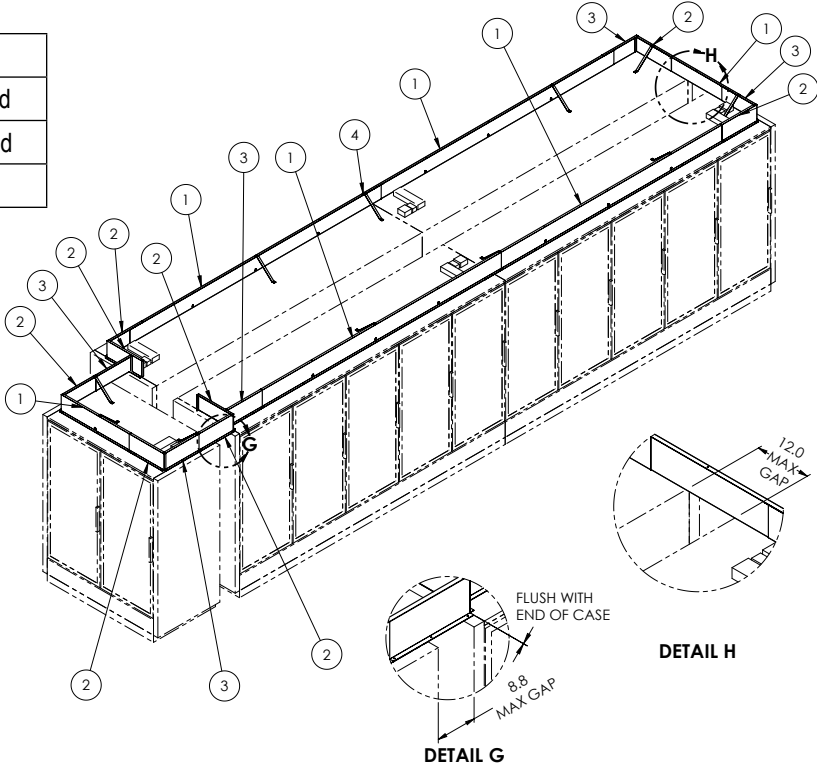
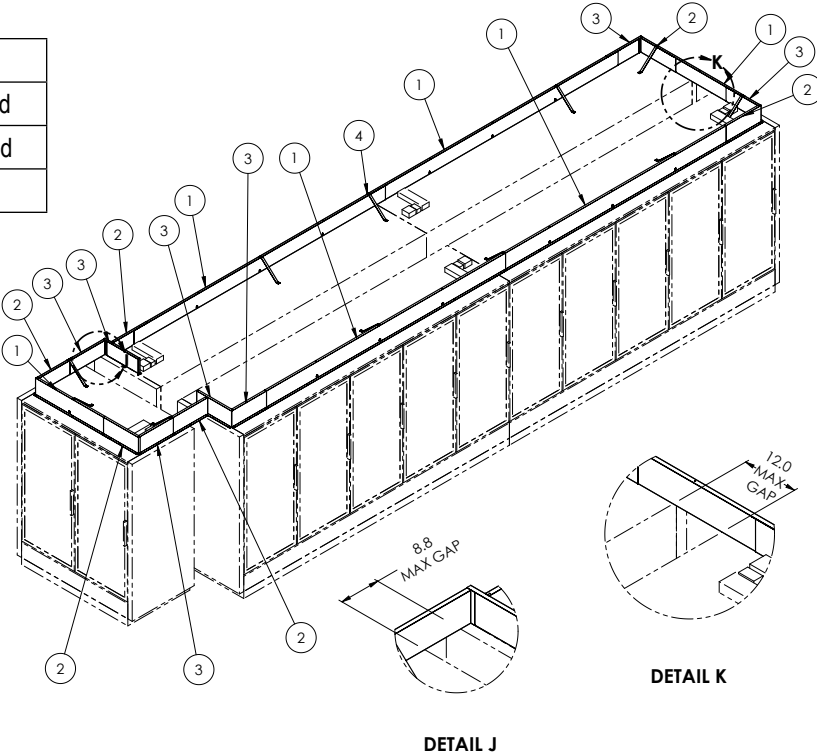


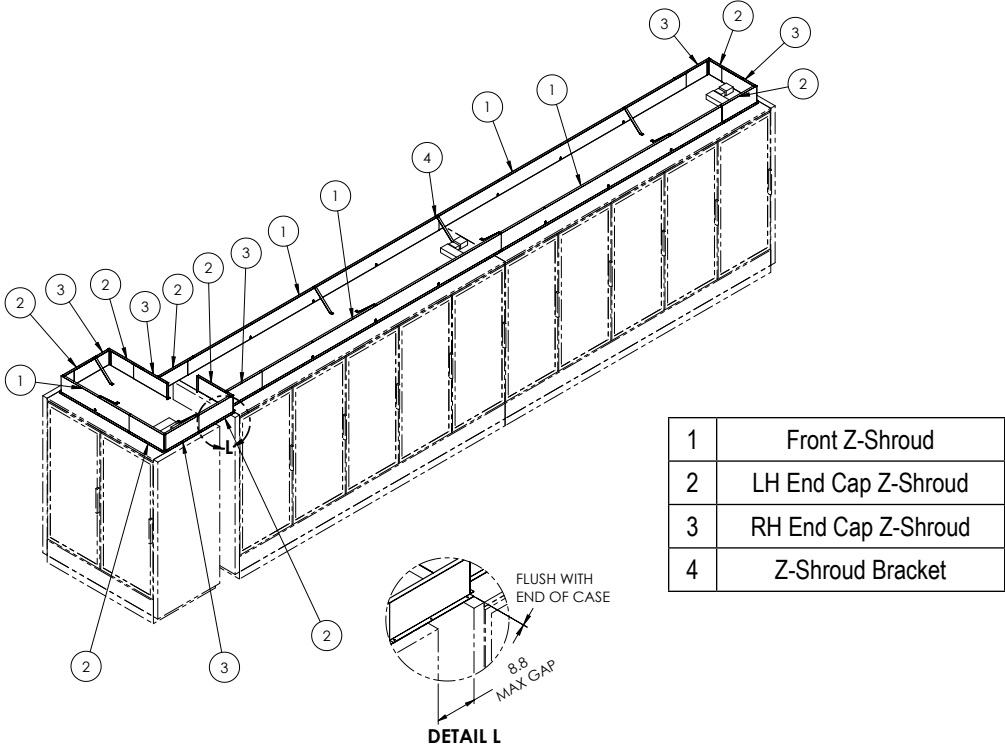
FIGURE 12: Back-to-Back (BB) Lineup of Cases with End Cap Case (offset to left)

1	Front Z-Shroud
2	LH End Cap Z-Shroud
3	RH End Cap Z-Shroud
4	Z-Shroud Bracket



# Z-SHROUD INSTALLATION INSTRUCTIONS

**FIGURE 13: Single Lineup of Cases with End Cap Case (set to right)**



**FIGURE 14: Single Lineup of Cases with End Cap Case (set to left)**

