



# Crystal™ Merchandiser RVMC30D Deep Specs

Medium Temp Deep Reach-Ins with 30" x 74" CoolView™ Doors  
 RVMC30D-(B,D,P,M): D=Deep-(B=Beverage, D=Dairy/Deli, P=Produce, M=Meat)

**Note:** All Zero Zone display cases manufactured for shipment within the U.S. meet or exceed current DOE energy requirements.

## ENERGY DATA

Refrigeration	
<small>(see note #1 for components included in baseline Btuh)</small>	
Evaporator Temperature (°F)	28
Baseline Btuh <sup>1,2</sup>	495
Discharge Air Temp. (°F) (w/ 8°F Superheat)	33
Btuh Adders	
Rail Heated Doors	10
Rail & Glass Heated Doors	40
Optional Glass Windowed End Panel (Each)	410

## LINEUP DATA

Per Door Avg.
28
495
33
Btuh
10
40
410

## INDIVIDUAL CASE DATA (Includes 1 Pair of End Panels)

2-Door 2RVMC30D	3-Door 3RVMC30D	4-Door 4RVMC30D	5-Door 5RVMC30D
28	28	28	28
1,110	1,570	2,050	2,570
33	33	33	33

## Glycol Data \*

Flow Rate (GPM)
Pressure Drop (PSIG)

2-Door	3-Door	4-Door	5-Door
0.8	1.0	1.4	1.8
3.4	5.2	6.2	6.1

\* All glycol data based on 35% Propylene Glycol by weight, 20°F Supply Temperature, and 23°-24°F Outlet Temperature.

Fan Motors (115V) <sup>3</sup>	Amps	Watts	Amps	Watts	Amps	Watts	Amps	Watts	Amps	Watts
High Efficiency Electronic (SSC/ECM)	0.30	9	0.60	18	0.60	19	0.60	19	0.90	31
Lighting System (120V)	Amps	Watts	Amps	Watts	Amps	Watts	Amps	Watts	Amps	Watts
LED Lighting (Zero Zone ChillBrite™ 4)	0.16	19	0.32	39	0.48	58	0.63	77	0.79	96
Anti-Sweat Door Heaters (115V)	Amps	Watts	Amps	Watts	Amps	Watts	Amps	Watts	Amps	Watts
No-Energy Doors (Zero Zone CoolView™)	0.00	0	0.00	0	0.00	0	0.00	0	0.00	0
Rail Heated Doors (Zero Zone CoolView™)	0.05	6	0.10	12	0.16	18	0.21	24	0.26	30
Rail & Glass Heated Doors (Zero Zone CoolView™)	0.18	21	0.37	42	0.55	63	0.73	84	0.91	105

## Notes:

1. Baseline Evaporator Btuh based on parallel rack system, LED Lighting (Zero Zone ChillBrite™ 4), no-energy doors (Zero Zone CoolView™), and SSC/ECM electronic fan motors.
2. For condensing units (non-rack system), multiply total Btuh rating by 1.08.
3. Amps are based on electrical nameplate values, watts are based on laboratory observations of actual energy use.

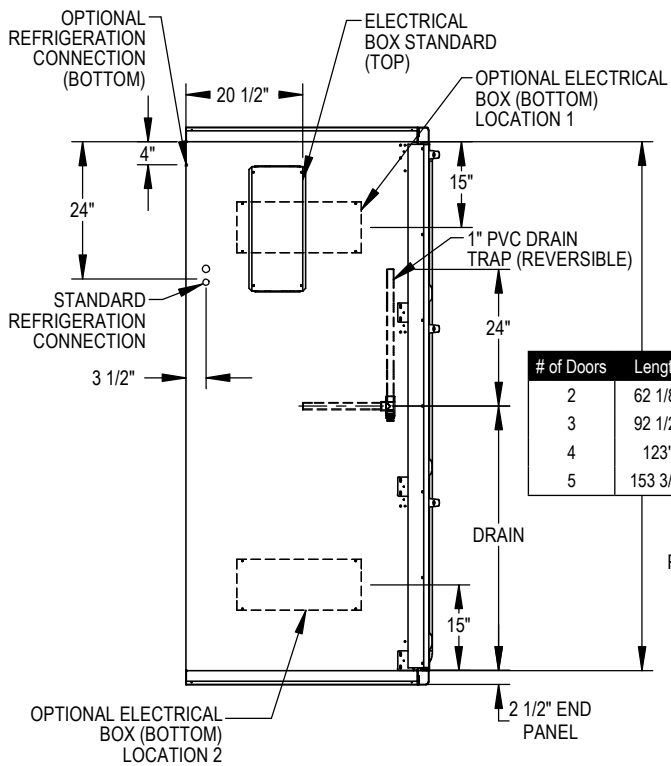
## PHYSICAL DATA

Baseline R-404A Refrigeration Piping	Outlet Size (in.)	# of Doors	Weight (lbs.)	Facings (ft. <sup>2</sup> )	Case Capacity Packout (ft. <sup>3</sup> ) 24"/27" Shelves
2 or 3-Door Suction Line O.D. (Top Refrig.)	3/8	2	913	30.1	59.4
4 or 5-Door Suction Line O.D. (Top Refrig.)	1/2	3	1,034	44.9	88.5
Liquid Line O.D.	3/8	4	1,155	59.7	117.6
		5	1,277	74.4	146.8
		Solid End Panel	31	N/A	N/A
		Glass End Panel	55	N/A	N/A

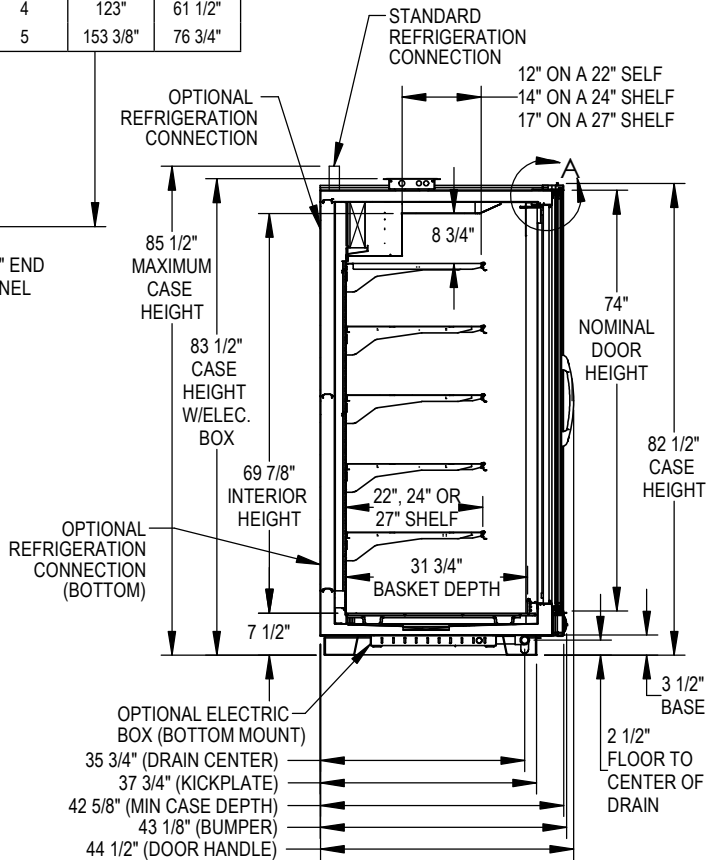
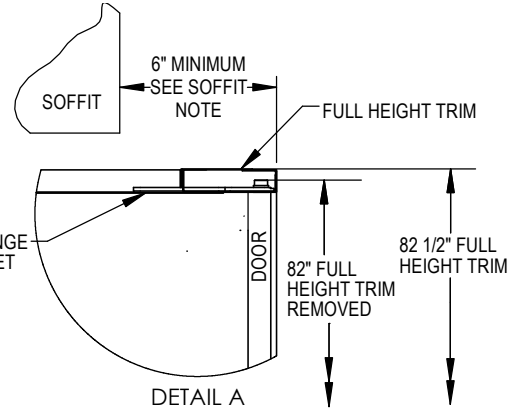


# Crystal™ Merchandiser RVMC30D Deep Specs

Medium Temp Deep Reach-Ins with 30" x 74" CoolView™ Doors  
 RVMC30D-(B,D,P,M): D=Deep-(B=Beverage, D=Dairy/Deli, P=Produce, M=Meat)



# of Doors	Length	Drain Dim.
2	62 1/8"	31"
3	92 1/2"	46 1/4"
4	123"	61 1/2"
5	153 3/8"	76 3/4"



SP-0763 REV G

- Door size: 30" x 74".
- All dimensions are nominal.
- Peg, gravity-feed, and other merchandising options available.
- Building soffits must be set back 6" from the front of the doors to allow for access to door hinges on the top of the case.

3/12/18

Specifications are subject to change without notice.  
 Case designed to operate in an ambient temperature of 75°F and relative humidity of 55% or lower.



Zero Zone, Inc. | 110 N Oakridge Drive | North Prairie, WI 53153-9792  
 Toll Free: 800-247-4496 | Fax: 262-392-6450  
 www.zero-zone.com

© 2018 Zero Zone, Inc.

