



Highlight Merchandiser® RHMC30 & RHMC30BB Specs

Medium Temp Reach-Ins with 30" x 68" CoolView® Envision® Doors

RHMC30BB: BB=Back-to-Back

Refrigeration Data

Refrigeration	Lineup Data	Individual Case Data (Includes 1 Pair of End Panels)			
	Per Door Avg	2-Door	3-Door	4-Door	5-Door
Evaporator Temperature (°F) ¹	28	28	28	28	28
Baseline Btu/h ^{2,3}	440	990	1,430	1,870	2,310
Discharge Air Temperature (°F) (w/ 8°F Superheat)	33	33	33	33	33
Btu/h Adders	Per Door Avg				
Back-to-Back (RHMC30BB) ⁴	-40				
Btu/h Adders	Per Door Avg				
Optional Glass Windowed End Panel (Each)	175				
Anti-Sweat High-Humidity Package	120				

Glycol Data ⁵	2-Door	3-Door	4-Door	5-Door
Flow Rate (GPM)	0.8	1.2	1.6	2.0
Pressure Drop (PSIG)	5.6	4.9	3.1	2.7

Electrical & Energy Data ³

Electrical & Energy Data ³	Lineup Data		Individual Case Data (Includes 1 Pair of End Panels)							
	Per Door Avg		2-Door		3-Door		4-Door		5-Door	
Fan Motors (115V) ⁷	Amps	Watts	Amps	Watts	Amps	Watts	Amps	Watts	Amps	Watts
High-Efficiency Electronic (ECM or SSC)	0.30	11	0.60	22	0.90	33	1.20	44	1.50	55
Lighting System (120V)	Amps	Watts	Amps	Watts	Amps	Watts	Amps	Watts	Amps	Watts
LED Lighting (Zero Zone ChillBrite 4190)	0.15	18	0.29	35	0.44	53	0.59	70	0.73	88
Anti-Sweat Heat (115V) ⁸	Amps	Watts	Amps	Watts	Amps	Watts	Amps	Watts	Amps	Watts
Standard-Energy Doors (Zero Zone CoolView Envision)	0.16	18	0.31	36	0.47	54	0.63	72	0.78	90
High-Humidity Package (Zero Zone CoolView Envision) ⁹	0.57	66	1.14	131	1.71	197	2.29	263	2.86	329
Solid Doors (Zero Zone CoolView Envision)	0.16	18	0.31	36	0.47	54	0.63	72	0.78	90

Physical Data

Refrigeration Piping ¹⁰	Outlet Size (in.)			
	2-Door	3-Door	4-Door	5-Door
Suction Line O.D. (Standard Refrigeration Exit)	1/2	1/2	1/2	1/2
Suction Line O.D. (Top Refrigeration Exit)	3/8	3/8	1/2	1/2
Liquid Line O.D.	1/4	1/4	3/8	3/8

Case Calculations	Solid End Panel	Windowed End	2-Door	3-Door	4-Door	5-Door
Facings (ft. ²)	N/A	N/A	27.3	40.9	54.5	68.2
Packout (ft. ³) 22" Shelves	N/A	N/A	50.0	75.0	100.0	125.0
Packout (ft. ³) 24" Shelves	N/A	N/A	54.5	81.9	109.0	136.4
Weight (lbs.) RHMC30	30	55	720	970	1,280	1,585
Weight (lbs.) RHMC30BB	60	110	1,380	1,830	2,460	3,050

Notes:

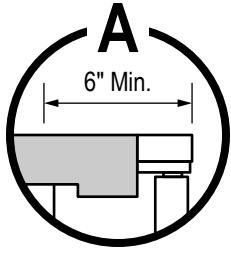
- For high-glide refrigerants, use dew point for unit sizing. Adjust evaporator pressure as needed to maintain discharge air temperatures.
- Baseline Evaporator Btu/h based on parallel rack system, LED lighting (Zero Zone ChillBrite®), standard-energy doors (Zero Zone CoolView® Envision®), and ECM or SSC electronic fan motors.
- For condensing units (non-rack system), multiply total Btu/h rating by 1.08.
- RHMC30BB data reported per side. Btu/h deduct is applied to each side.
- All glycol data based on 35% Propylene Glycol by weight, 20°F Supply Temperature, and 24°-26°F Outlet Temperature.
- Amps are based on electrical nameplate values. Watts are based on laboratory observations of actual energy use.
- One fan motor per door.
- Door (Anti-Sweat) Options: standard-energy and high-humidity package = heated glass and heated rails; solid doors = heated rails. All options include mullion and sill heat.
- Anti-Sweat Controller required for the high humidity package to comply with DOE energy requirements.
- Individual risers for circuits of more than one case require refrigeration line sizing by Zero Zone.



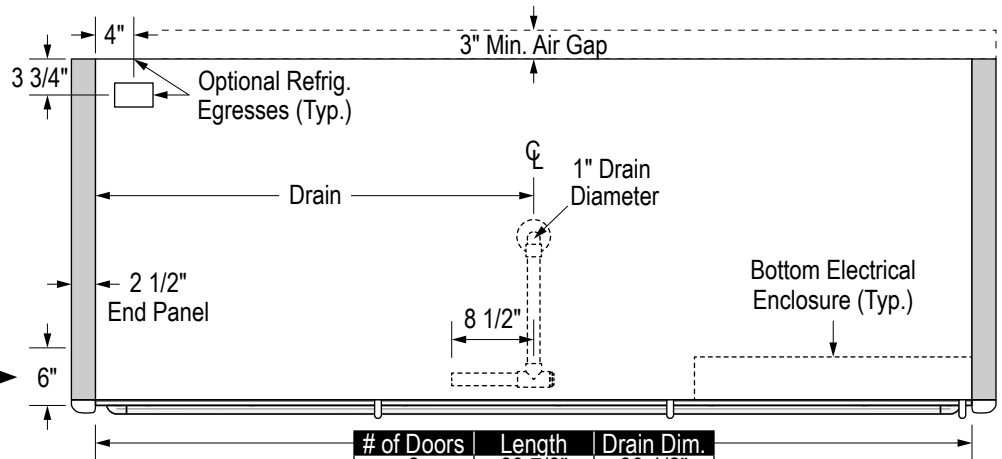
Highlight Merchandiser® RHMC30 & RHMC30BB Specs

Medium Temp Reach-Ins with 30" x 68" CoolView® Envision® Doors

RHMC30BB: BB=Back-to-Back

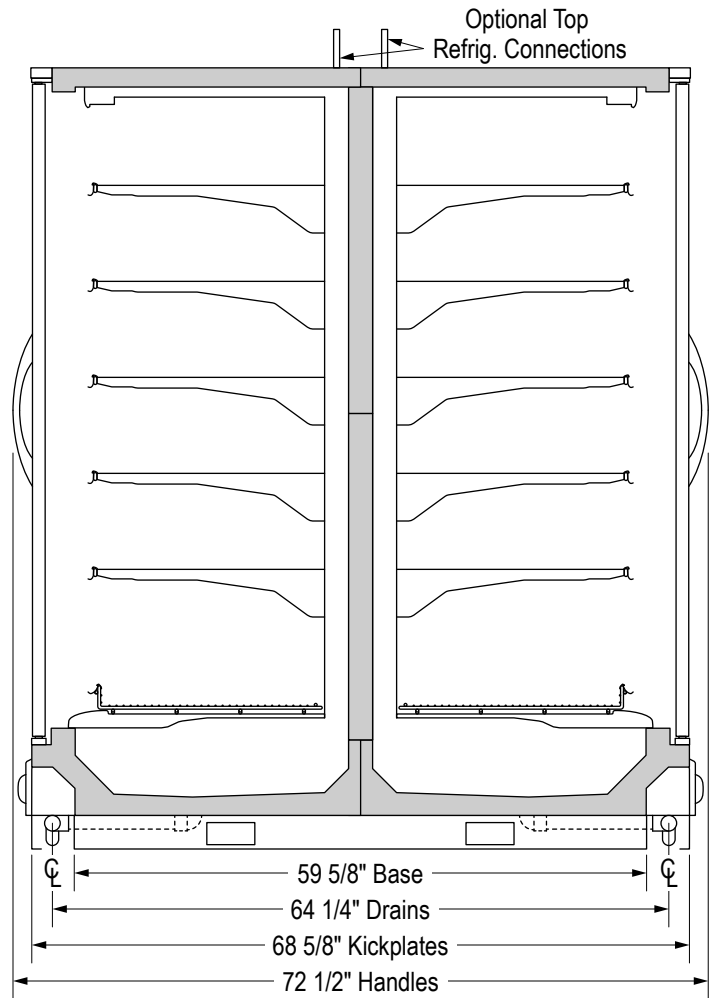
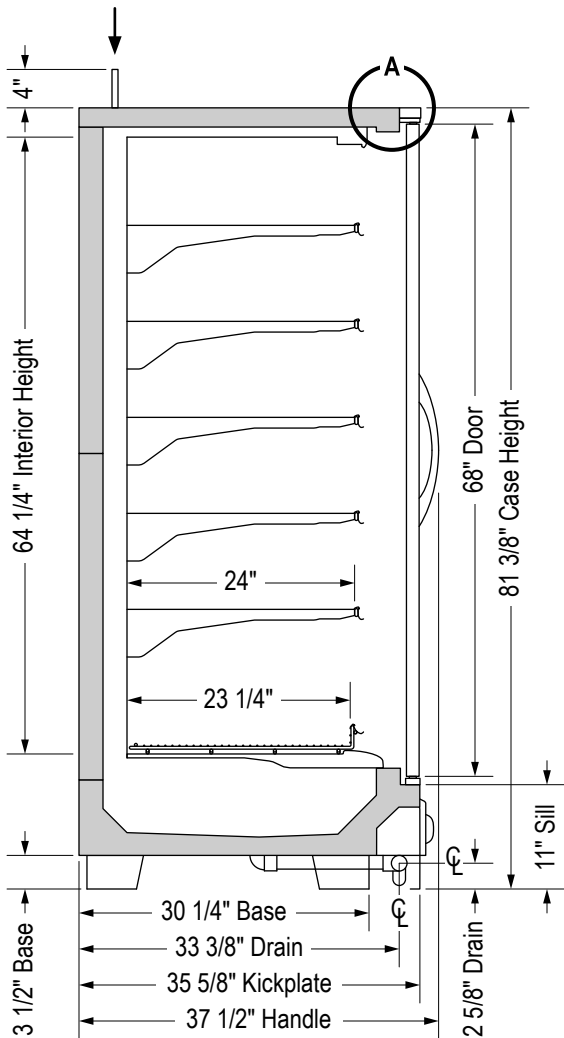


Building soffits must be set back at least 6" from the front of the doors to allow access to electrical wiring on the top of the case.



# of Doors	Length	Drain Dim.
2	60 7/8"	30 1/2"
3	91 3/8"	45 5/8"
4	121 3/4"	60 7/8"
5	152 1/4"	76 1/8"

Optional top refrigeration connection increases case height by up to 4".



SS-117-B

Specifications are subject to change without notice. All dimensions are nominal.
Case designed to operate in an ambient temperature of 75°F and relative humidity of 55% or lower.

9/10/2021



Zero Zone, Inc.
800-247-4496 • www.zero-zone.com
© 2021 Zero Zone, Inc.

