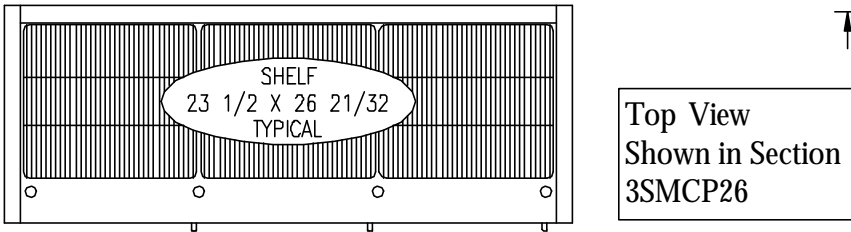
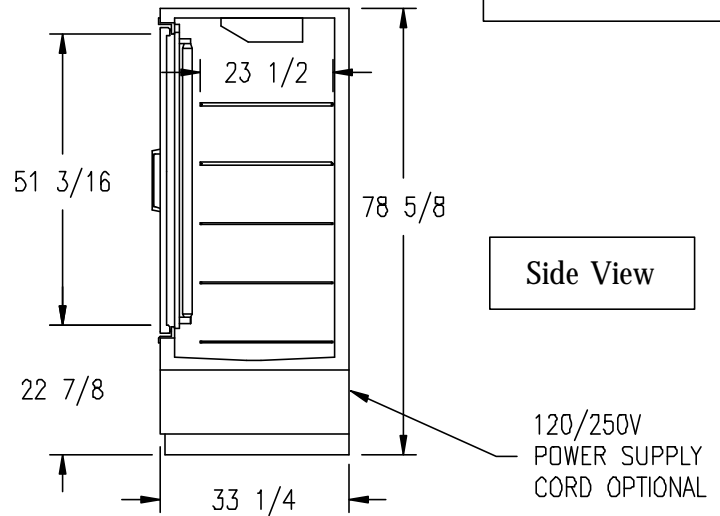
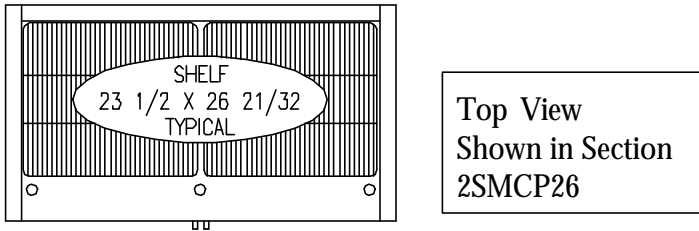
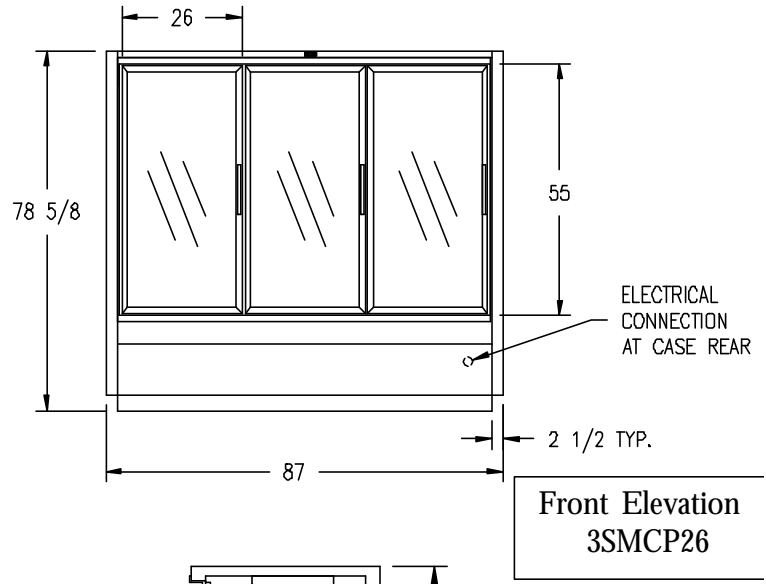
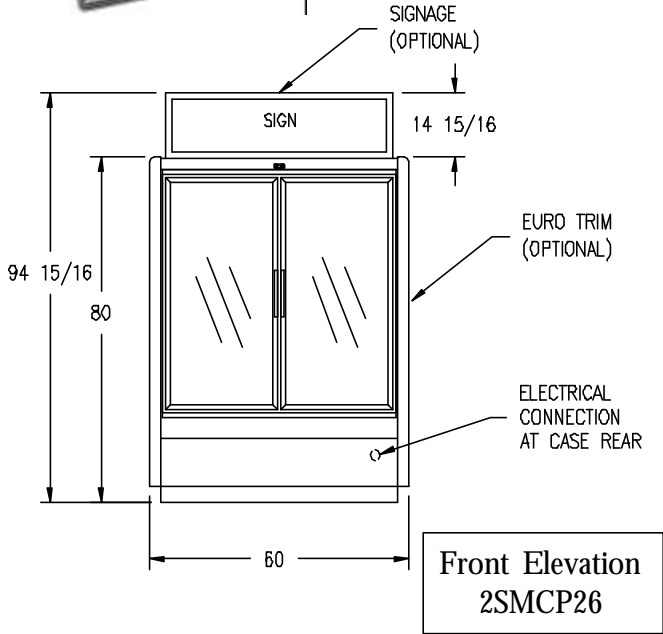




# SMCP26 SPECIFICATION SHEET



MODEL	WEIGHT (w/shelves)	OUTSIDE DIMENSIONS (INCHES)			INSIDE DIMENSIONS (INCHES)			NET CUBIC FEET CAPACITY	NET SHELF AREA SQ. FT.
		W	H	D	W	H	D		
2SMCP26	640	60	78 5/8	33 1/4	55	59 7/8	29 1/2	43.6	43.5
3SMCP26	856	87	78 5/8	33 1/4	82	59 7/8	29 1/2	61.4	65.3
MODEL	ELECTRICAL				H.P.	REF.	(OPTIONAL) CHARGE (LBS.)		
	INCOMING SUPPLY		MIN CIRCUIT AMPS	AMPS RLA					
2SMCP26	115-1 PHASE-60 HZ.		20	14.02	1/2	R22	2 1/2		
3SMCP26	115-1 PHASE-60 HZ.		25	17.6	1/2	R22	2 1/2		

Zero Zone Inc. • 110 N. Oakridge Dr.  
 North Prairie, WI 53153-9792  
 1-800-247-4496 • FAX: 1-262-392-6450  
 www.zero-zone.com

All specifications are subject to change without notice.