



RVCC24 Specifications

Medium Temp Reach-Ins with 24" x 63" Doors

Note: Effective 1/1/12, all Zero Zone display cases manufactured for shipment within the U.S. meet or exceed current DOE energy requirements.

ENERGY DATA

Refrigeration <small>(see note #1 for components included in baseline Btuh)</small>	
Evaporator Temperature (°F)	+28
Baseline Btuh ^{1,2}	325
Discharge Air Temp. (°F) (w/ 8°F Superheat)	+33

Glycol Data *	
Flow Rate (GPM)	0.8
Pressure Drop (PSIG)	1.2

LINEUP DATA

Per Door Avg.
+28
325
+33

INDIVIDUAL CASE DATA (Includes 1 Pair of End Panels)

2-Door (4')	3-Door (6')	4-Door (8')	6-Door (12')
+28	+28	+28	+28
820	1,140	1,470	2,120
+33	+33	+33	+33

2-Door (4')	3-Door (6')	4-Door (8')	6-Door (12')
0.8	1.2	1.6	2.4
1.2	1.8	2.6	3.5

* All glycol data based on 35% Propylene Glycol by weight, +20°F Supply Temperature, and 23°-24°F Outlet Temperature.

Fan Motors (115V) ³	Amps	Watts	Amps	Watts	Amps	Watts	Amps	Watts	Amps	Watts
High Efficiency Electronic (SSC/ECM)	0.25	9	0.50	18	0.75	27	0.90	33	1.50	55
Lighting System (120V) <small>(consult factory for other LED options)</small>	Amps	Watts	Amps	Watts	Amps	Watts	Amps	Watts	Amps	Watts
LED Lighting (Anthony Optimax Pro24) High Power	0.13	15	0.26	30	0.38	45	0.52	62	0.77	92
Anti-Sweat Door Heaters (115V)	Amps	Watts	Amps	Watts	Amps	Watts	Amps	Watts	Amps	Watts
Anthony ELM (Low-Energy Doors)	0.23	26	N/A	N/A	N/A	N/A	1.02	117	1.37	158
Anthony Vista C (Low-Energy Doors)	0.26	29	0.70	81	0.99	114	1.13	130	1.53	176

Notes:

1. Baseline Evaporator Btuh based on parallel rack system, LED lighting (Optimax Pro24 High Power), low-energy doors (Vista C), and SSC electric fan motors.
2. For condensing units (non-rack system), multiply total Btuh rating by 1.08.
3. Amps are based on electrical nameplate values, watts are based on laboratory observations of actual energy use.

PHYSICAL DATA

Baseline R-404A Refrigeration Piping	Outlet Size (in.)	# of Doors	Weight (lbs.)	Facings (ft. ²)	Case Capacity Packout (ft. ³)	22"/24" Shelves
4' Suction Line O.D. (Top Refrig.)	3/8	2	555	21.8	40.0	43.7
6' Suction Line O.D. (Top Refrig.)	3/8	3	800	32.5	59.5	64.9
8' Suction Line O.D. (Top Refrig.)	1/2	4	925	43.1	79.0	86.2
12' Suction Line O.D. (Top Refrig.)	1/2	6	1,500	48.8	118.3	129.0
Liquid Line O.D. (2-Door Case)	1/4					
Liquid Line O.D. (3, 4, & 6-Door cases)	3/8	Solid End Panel	30	N/A	N/A	N/A

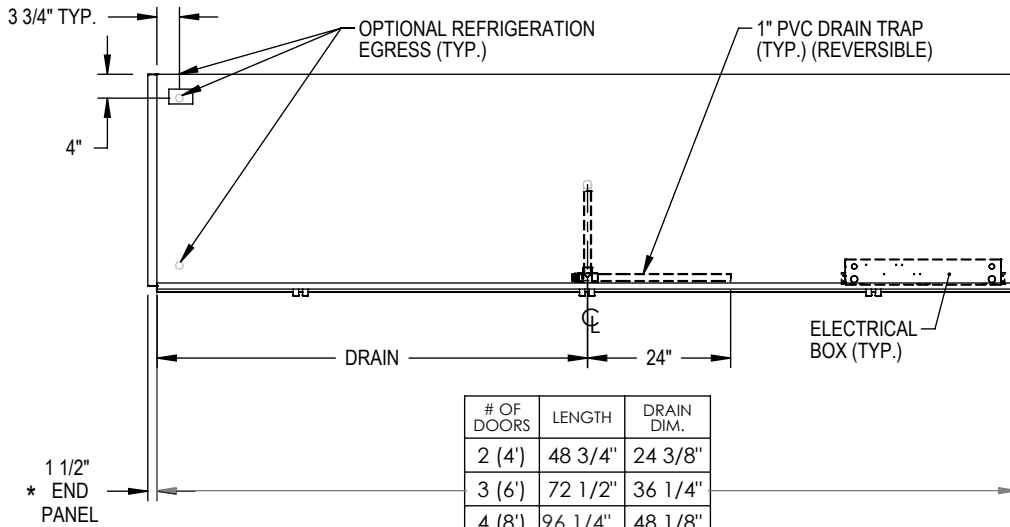
MULTI-DECK CASE LENGTH CROSS REFERENCE

Conventional Multi-Deck Lineup Lengths	Number of Doors	Total Length with Ends
8' 3"	4	8' 3-1/4"
12' 3"	6	12' 3"
16' 3"	8	16' 3-1/2"
20' 3"	10	20' 3-1/4"
24' 3"	12	24' 3"
28' 3"	14	28' 3-1/2"
32' 3"	16	32' 3-1/4"
36' 3"	18	36' 3"
40' 3"	20	40' 3-1/2"
44' 3"	22	44' 3-1/4"
48' 3"	24	48' 3"

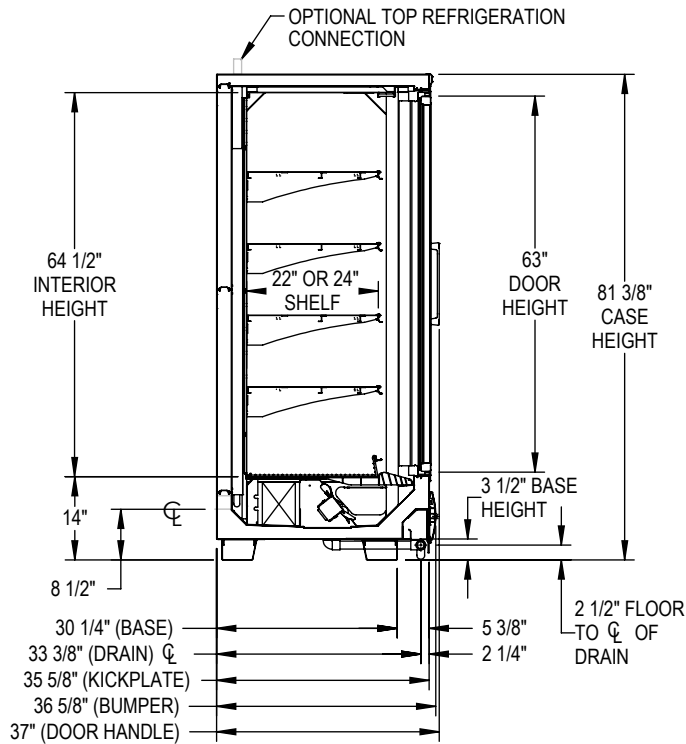


RVCC24 Specifications

Medium Temp Reach-Ins with 24" x 63" Doors



# OF DOORS	LENGTH	DRAIN DIM.
2 (4')	48 3/4"	24 3/8"
3 (6')	72 1/2"	36 1/4"
4 (8')	96 1/4"	48 1/8"
6 (12')	144"	71 7/8"



- 2 1/2" End Panels are available.
- Door size: 24" x 63".
- All dimensions are nominal.

11/4/15

Specifications are subject to change without notice.
Case designed to operate in an ambient temperature of 75°F and relative humidity of 55% or lower.



Zero Zone, Inc. | 110 N Oakridge Drive | North Prairie, WI 53153-9792
Toll Free: 800-247-4496 | Fax: 262-392-6450
Zero-Zone.com



Intertek