



Highlight™ Merchandiser RHCC24 Specs

Medium Temp French Door Reach-Ins with 24" x 68" Doors

Note: All Zero Zone display cases manufactured for shipment within the U.S. meet or exceed current DOE energy requirements.

ENERGY DATA

Refrigeration <small>(see note #1 for components included in baseline Btuh)</small>	
Evaporator Temperature (°F)	28
Baseline Btuh ^{1,2}	350
Discharge Air Temp. (°F) (w/ 8°F Superheat)	33
Btuh Adders	
Optional Glass Windowed End Panel (Each)	175

LINEUP DATA	
Per Door Avg.	
Evaporator Temperature (°F)	28
Baseline Btuh ^{1,2}	350
Discharge Air Temp. (°F) (w/ 8°F Superheat)	33
Btuh	
Optional Glass Windowed End Panel (Each)	175

INDIVIDUAL CASE DATA (Includes 1 Pair of End Panels)				
2-Door	3-Door	4-Door	6-Door	
Evaporator Temperature (°F)	28	28	28	28
Baseline Btuh ^{1,2}	700	1,050	1,400	2,100
Discharge Air Temp. (°F) (w/ 8°F Superheat)	33	33	33	33

Glycol Data *	
Flow Rate (GPM)	0.7
Pressure Drop (PSIG)	1.0

2-Door	3-Door	4-Door	6-Door
Flow Rate (GPM)	0.7	1.1	2.4
Pressure Drop (PSIG)	1.0	1.7	3.5

* All glycol data based on 35% Propylene Glycol by weight, 20°F Supply Temperature, and 24°-26°F Outlet Temperature.

Fan Motors (115V) ³	Amps		Watts		Amps		Watts		Amps		Watts		Amps		Watts	
	High Efficiency Electronic (SSC/ECM)	0.25	9	0.60	17	0.90	26	0.90	35	1.50	52					
Lighting System (120V) ³ (other LED options available)	Amps		Watts		Amps		Watts		Amps		Watts		Amps		Watts	
	LED Lighting (Zero Zone ChillBrite™ 5)	0.18	21	0.36	42	N/A	N/A	0.72	84	1.08	126					
	Left or Right-Hand Swing Option A, B, 2-Door, 3-Door, 4-Door, 6-Door (see Fig. 1 on next page)	0.15	18	0.31	36	0.46	54	0.62	72	0.93	108					
Option C, D, E, F, 3-Door (see Fig. 1 on next page)	0.15	18	N/A	N/A	0.48	56	N/A	N/A	N/A	N/A						
Anti-Sweat Door Heaters (115V) ^{3,4} <small>(see Fig. 1 on next page)</small>	Amps		Watts		Amps		Watts		Amps		Watts		Amps		Watts	
	No-Energy Doors (mullion heat data given)	0.08	9	0.16	18	0.32	36	0.32	36	0.48	54					
	Single Swing Door Option (mullion heat data given)	0.16	18	0.31	36	0.47	54	0.63	72	0.94	108					

Notes:

1. Baseline Evaporator Btuh based on parallel rack system, LED lighting (Zero Zone ChillBrite™ 5), no-energy "french door" swing doors, and SSC electronic fan motors.
2. For condensing units (non-rack system), multiply total Btuh rating by 1.08.
3. Amps are based on electrical nameplate values; watts are based on laboratory observations of actual energy use.
4. Door Options: No-Energy = no-heat glass and no-heat rails.

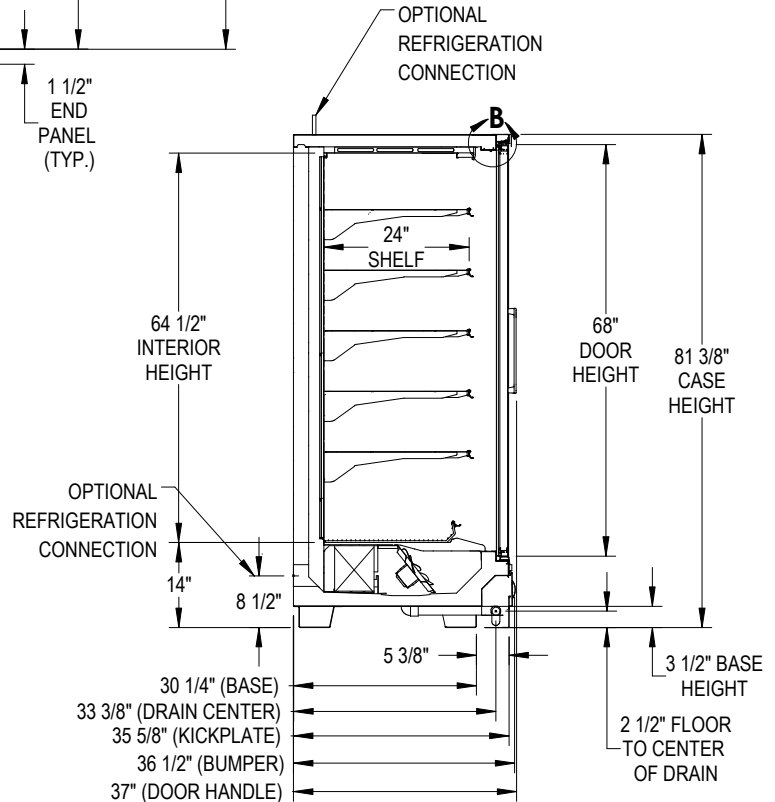
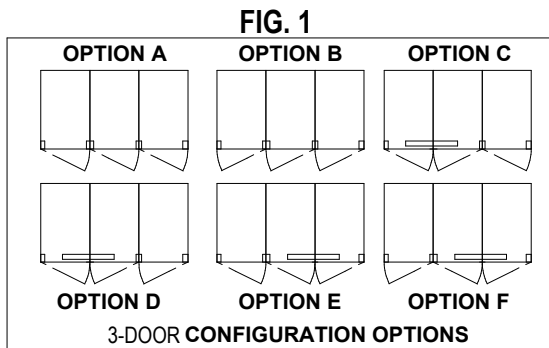
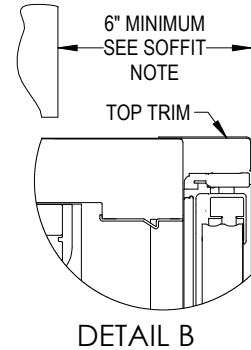
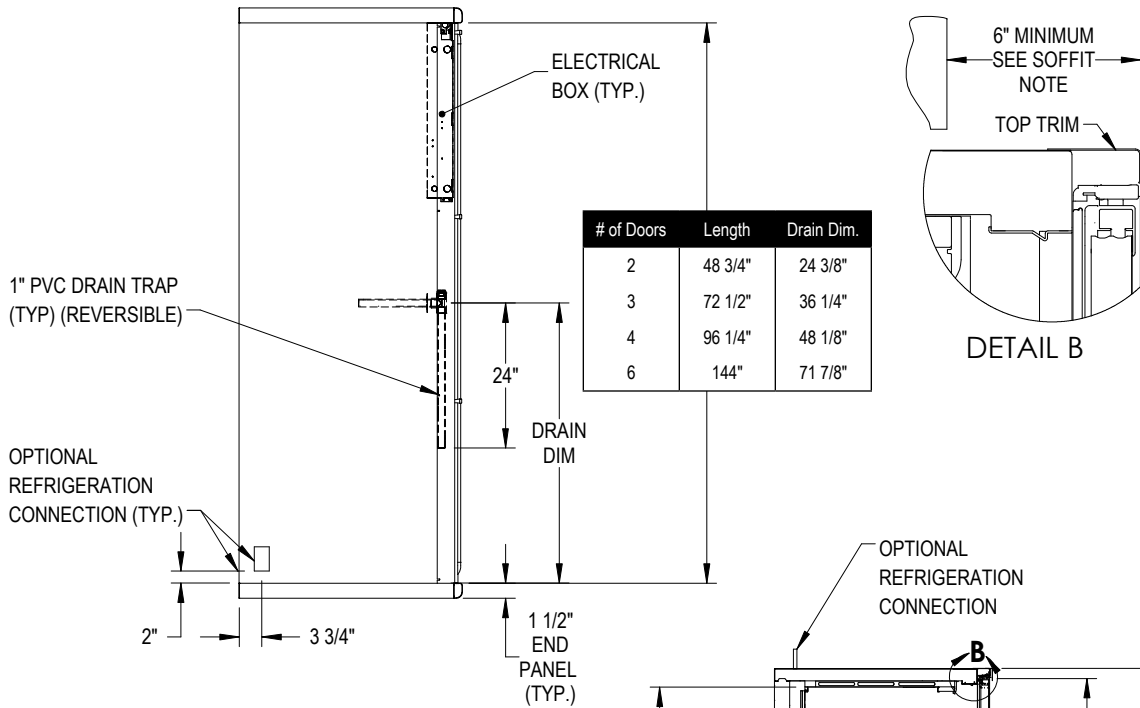
PHYSICAL DATA

Baseline R-404A Refrigeration Piping	Outlet Size (in.)	# of Doors	Weight (lbs.)	Case Capacity		
				Facings (ft. ²)	Packout (ft. ³)	22"/24" Shelves
4' Suction Line O.D. (Top Refrig.)	3/8	2	605	21.8	40.0	43.1
6' Suction Line O.D. (Top Refrig.)	1/2	3	850	32.5	59.5	64.0
8' Suction Line O.D. (Top Refrig.)	1/2	4	975	43.1	79.0	85.0
12' Suction Line O.D. (Top Refrig.)	1/2	6	1,550	64.5	118.3	127.2
Liquid Line O.D. (2-Door Case)	1/4					
Liquid Line O.D. (3, 4, and 6-Door Cases)	3/8	Solid End Panel	30			



Highlight™ Merchandiser RHCC24 Specs

Medium Temp French Door Reach-Ins with 24" x 68" Doors



SP-6118 REV. B

- Optional base heights are available.
- Door size: 24" x 68".
- All dimensions are nominal.
- Top refrigeration connections increase case height by up to 4".
- 2 1/2" End Panels and Insulated Dividers are available.
- Building soffits must be set back 6" from the front of the doors to allow for access to electrical raceway on the top of the case.
- 22" shelves available.

5/15/17

Specifications are subject to change without notice.
 Case designed to operate in an ambient temperature of 75°F and relative humidity of 55% or lower.



Zero Zone, Inc. | 110 N Oakridge Drive | North Prairie, WI 53153-9792
 Toll Free: 800-247-4496 | Fax: 262-392-6450
 www.zero-zone.com

© 2017 Zero Zone, Inc.

