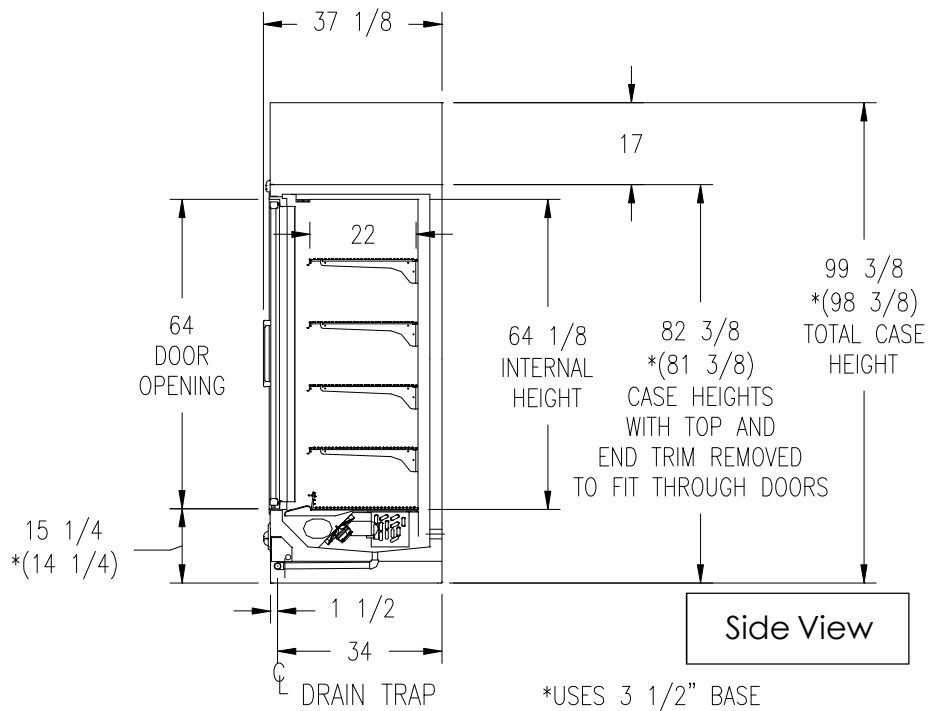
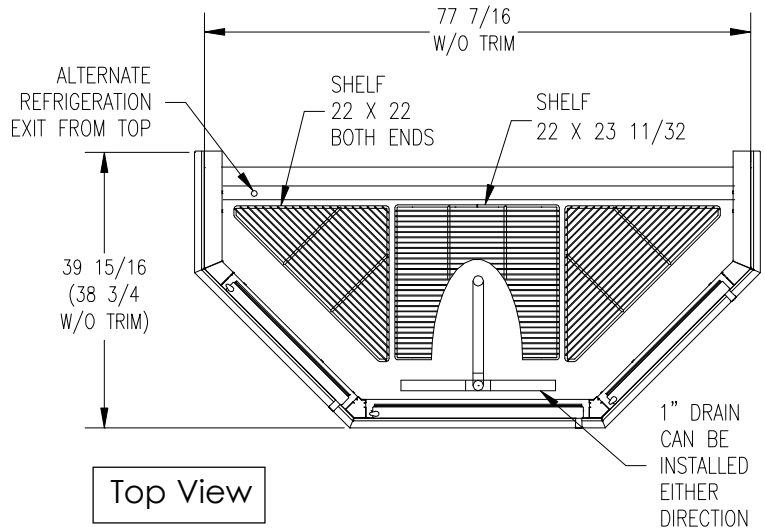
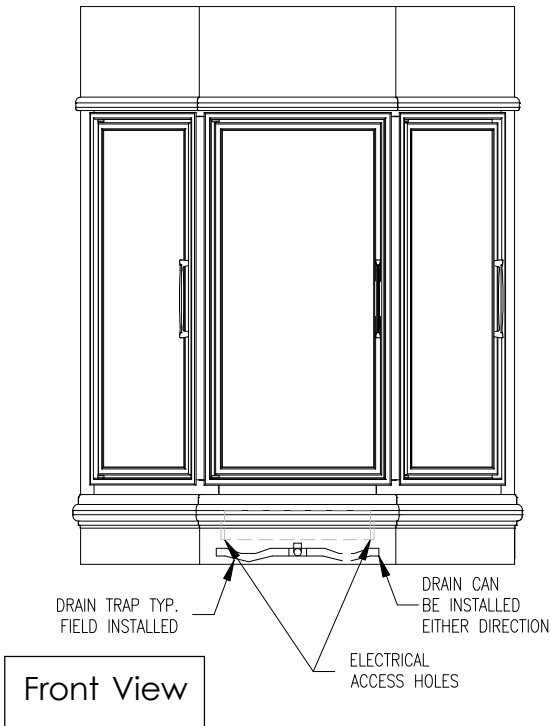




3RMZCWASC SPECIFICATION SHEET



MODEL	ELECTRICAL		MIN CIRCUIT AMPS	AMPS RLA	H.P.	REF.	CHARGE (LBS.)
	INCOMING SUPPLY						
3RMZCWASC	115-208/230V-1 PHASE-60 HZ.		30	20.1	1/2	R404A	6

Zero Zone, Inc. • 110 N. Oakridge Dr.
 North Prairie, WI 53153-9792
 1-800-247-4496 • FAX: 1-262-392-6450
www.zero-zone.com

All specifications are subject to change without notice.