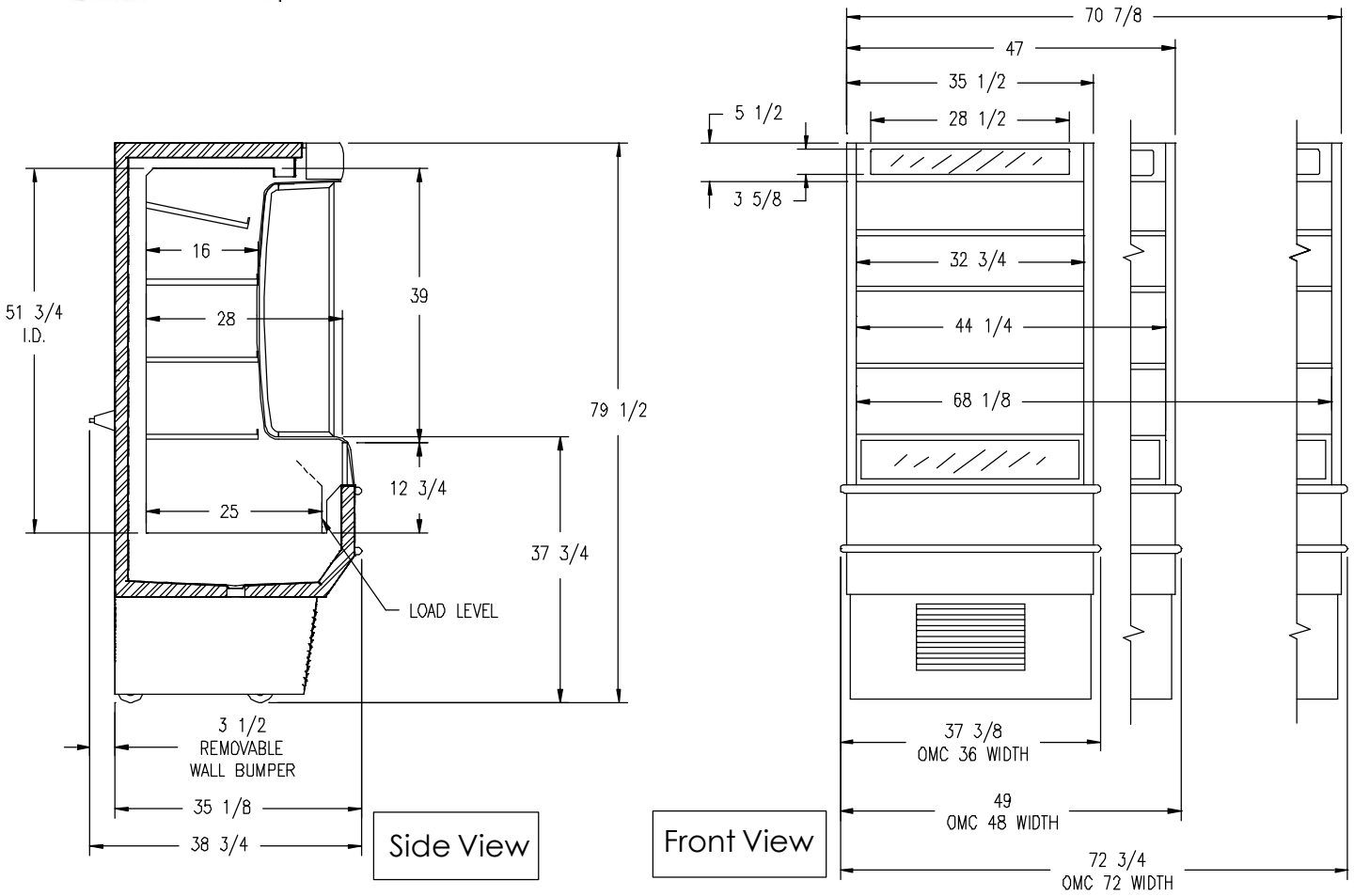




OMC SPECIFICATION SHEET



MODEL	ESTIMATED WEIGHT (w/shelves)	OUTSIDE DIMENSIONS (INCHES)			INSIDE DIMENSIONS (INCHES)			CUBIC FEET CAPACITY
		W	H	D	W	H	D	
OMC 36	547	37 3/8	79 1/2	38 3/4	32 3/4	51 3/4	25	18
OMC 48	657	49	79 1/2	38 3/4	44 1/4	51 3/4	25	24
OMC 72	740	72 3/4	79 1/2	38 3/4	68 1/8	51 3/4	25	37

MODEL	ELECTRICAL			H.P.	REFRIG.
	INCOMING SUPPLY	MIN CIRCUIT AMPS	AMPS RLA		
OMC 36	115-1 PHASE - 60 HZ	30	19.6	3/4	R-404A
OMC 48	115-1 PHASE - 60 HZ	30	21.6	1	R-404A
OMC 72	208/230 - 115 - 1 PHASE - 60 HZ	25	17.5	2	R-404A

CASE DESIGNED TO OPERATE IN AN AMBIENT OF 75°F OR LOWER
 AND RELATIVE HUMIDITY OF 55% OR LOWER

Zero Zone, Inc. • 110 N. Oakridge Dr.
 North Prairie, WI 53153-9792
 1-800-247-4496 • FAX: 1-262-392-6450
 www.zero-zone.com



All specifications are subject to change without notice.