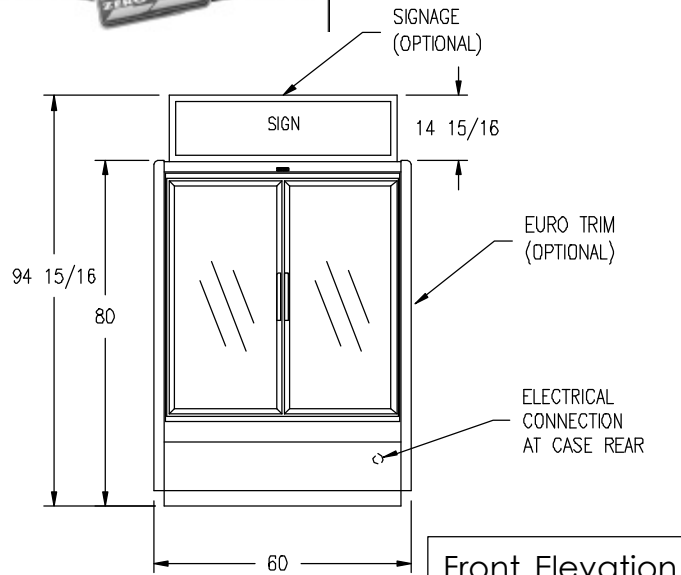
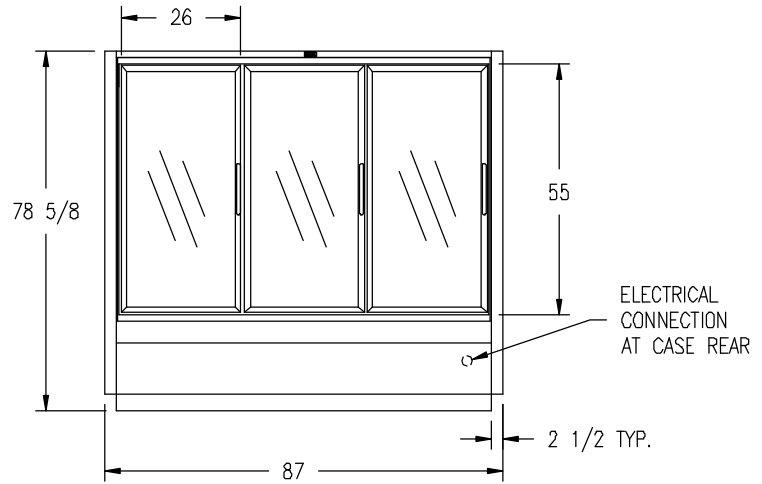




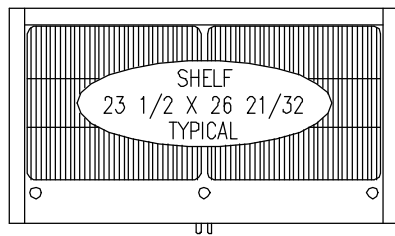
SMCP26FL SPECIFICATION SHEET



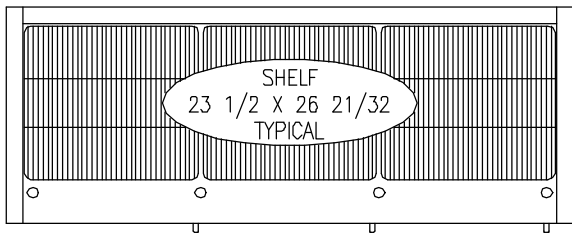
Front Elevation
2SMCP26FL



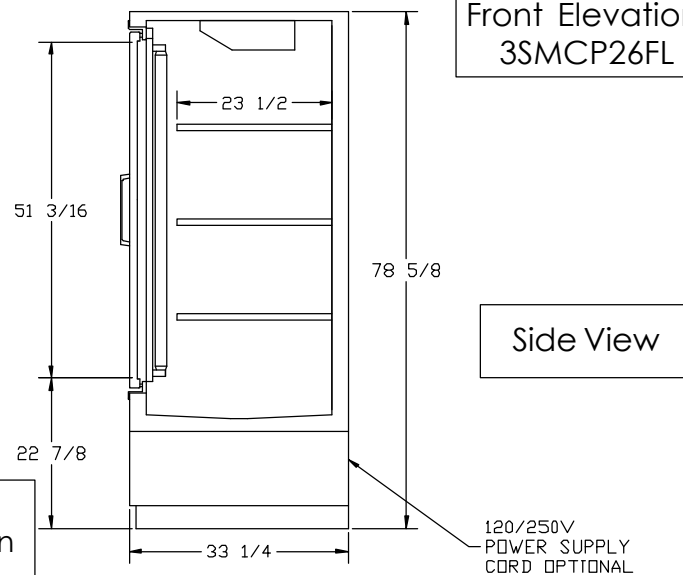
Front Elevation
3SMCP26FL



Top View
Shown in Section
2SMCP26FL



Top View
Shown in Section
3SMCP26FL



Side View

MODEL	WEIGHT (w/shelves)	OUTSIDE DIMENSIONS (INCHES)			INSIDE DIMENSIONS (INCHES)			NET CUBIC FEET CAPACITY	NET SHELF AREA SQ. FT.
		W	H	D	W	H	D		
2SMCP26FL	640	60	78 5/8	33 1/4	55	59 7/8	29 1/2	43.6	43.5
3SMCP26FL	856	87	78 5/8	33 1/4	82	59 7/8	29 1/2	61.4	65.3
MODEL	ELECTRICAL						H.P.	REF.	(OPTIONAL)
	INCOMING SUPPLY			MIN CIRCUIT AMPS	AMPS RLA	CHARGE (LBS.)			
	2SMCP26FL	115-1 PHASE-60 HZ.			20				14.02
3SMCP26FL	115-1 PHASE-60 HZ.			25	17.6	1/2	R22	2 1/2	

CASE DESIGNED TO OPERATE IN AN AMBIENT OF 75°F OR LOWER
AND RELATIVE HUMIDITY OF 55% OR LOWER

Zero Zone Inc. • 110 N. Oakridge Dr.
North Prairie, WI 53153-9792
1-800-247-4496 • FAX: 1-262-392-6450
www.zero-zone.com



All specifications are subject to change without notice.

SMCP26FL