



Refrigeration Data

Refrigeration	
Evaporator Temperature (°F) ¹	
Baseline Btu/h ^{2,3}	
Discharge Air Temperature (°F) (w/ 8°F Superheat)	
Btu/h Adders	
Optional Glass Windowed End Panel (Each)	
Anti-Sweat High Humidity Package	

Individual Case Data (Includes 1 Pair of End Panels)	
1-Door	
	28
	575
	33
1-Door	
	175
	120

Electrical & Energy Data ⁴

Fan Motors (115V) ⁵	
High Efficiency Electronic (ECM or SSC)	
Lighting System (120V)	
LED Lighting (Zero Zone ChillBrite 4190)	
Anti-Sweat Heat (115V) ⁶	
Standard-Energy Doors (Zero Zone CoolView Envision)	
High Humidity Package (Zero Zone CoolView Envision) ⁷	
Solid Doors (Zero Zone CoolView Envision)	

Individual Case Data (Includes 1 Pair of End Panels)		
1-Door		
Amps	Watts	
0.30	11	
Amps	Watts	
0.15	18	
Amps	Watts	
0.16	18	
0.57	66	
0.16	18	

Physical Data

Refrigeration Piping ⁸	
Suction Line O.D. (Standard Refrigeration Exit)	
Liquid Line O.D.	

Outlet Size (in.)	
1-Door	
	3/8
	1/4

Case Calculations	Solid End Panel
Facings (ft. ²)	N/A
Packout (ft. ³) 22" Shelves	N/A
Packout (ft. ³) 24" Shelves	N/A
Weight (lbs.)	30

1-Door	
	13.6
	25.4
	27.3
	530

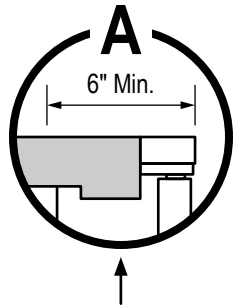
Notes:

- For high-glide refrigerants, use dew point for unit sizing. Adjust evaporator pressure as needed to maintain discharge air temperatures.
- Baseline Evaporator Btu/h based on parallel rack system, LED lighting (Zero Zone ChillBrite® 4190), standard-energy doors (Zero Zone CoolView® Envision®), and ECM or SSC electronic fan motors.
- For condensing units (non-rack system), multiply total Btu/h rating by 1.06.
- Amps are based on electrical nameplate values. Watts are based on laboratory observations of actual energy use.
- One fan motor per door.
- Door (Anti-Sweat) Options: standard-energy and high humidity package = heated glass and heated rails; solid doors = heated rails. All options include mullion and sill heat.
- Anti-Sweat Controller required for the high humidity package to comply with DOE energy requirements.
- Individual risers for circuits of more than one case require refrigeration line sizing by Zero Zone.

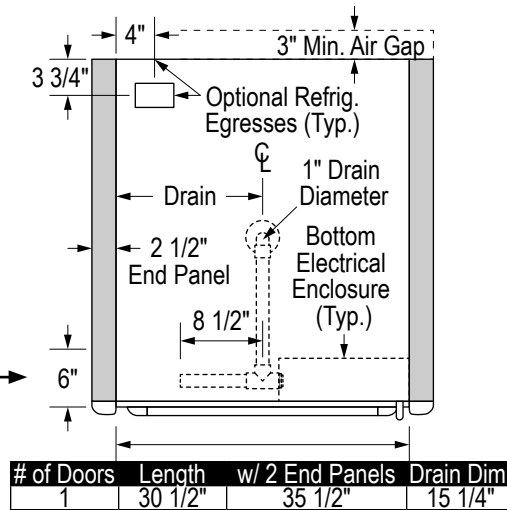


Highlight Merchandiser® 1RHMC30 Specs

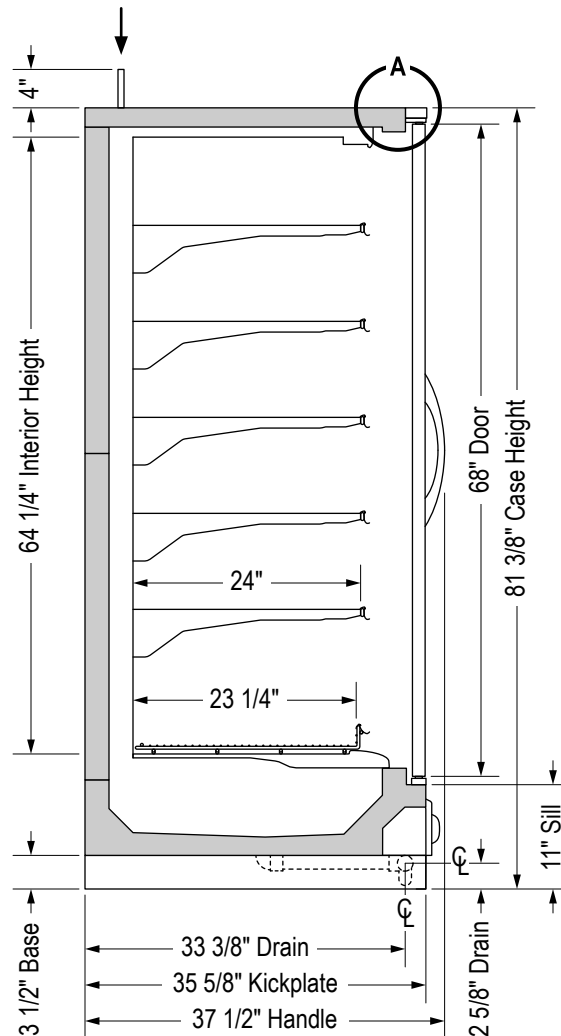
1-Door Medium Temp Reach-Ins with 30" x 68" CoolView® Envision® Doors



Building soffits must be set back at least 6" from the front of the doors to allow access to electrical wiring on the top of the case.



Top refrigeration connections increase case height by up to 4".



SS-124-A

Specifications are subject to change without notice. All dimensions are nominal.
Case designed to operate in an ambient temperature of 75°F and relative humidity of 55% or lower.

9/10/2021



Zero Zone, Inc.
800-247-4496 • www.zero-zone.com
© 2021 Zero Zone, Inc.

