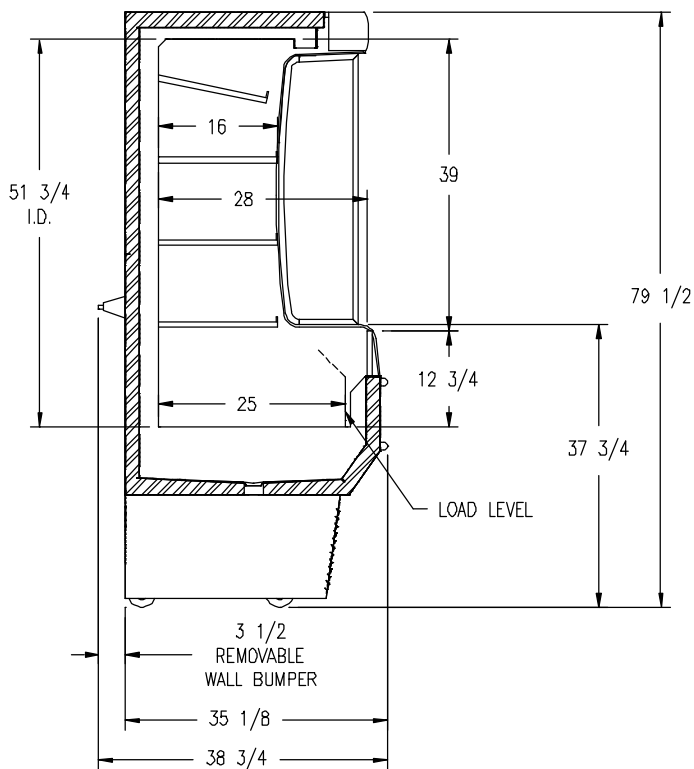


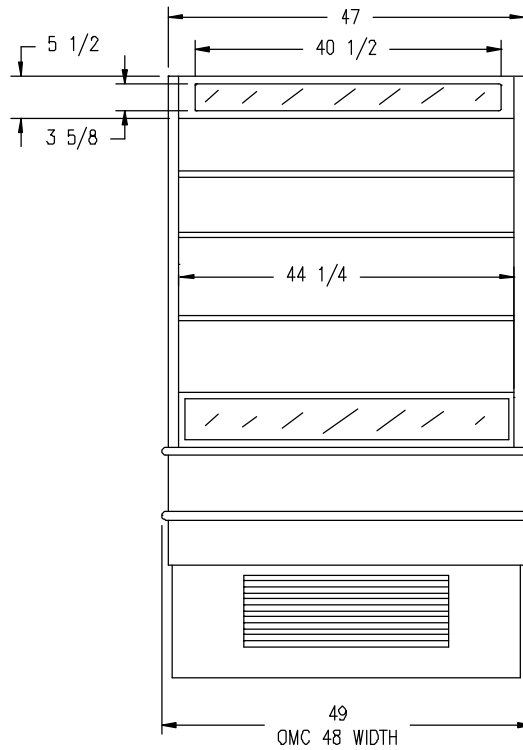


PRELIMINARY

OMC-48RMT SPECIFICATION SHEET



Side View



Front View

| MODEL | ESTIMATED WEIGHT (w/shelves) | OUTSIDE DIMENSIONS (INCHES) | | | INSIDE DIMENSIONS (INCHES) | | | CUBIC FEET CAPACITY |
|-----------|---------------------------------|-----------------------------|--------|--------|----------------------------|--------|----|---------------------|
| | | W | H | D | W | H | D | |
| OMC 48RMT | 557 | 49 | 79 1/2 | 38 3/4 | 44 1/4 | 51 3/4 | 25 | 24 |

| MODEL | ELECTRICAL | | | REFRIG. |
|-----------|---------------------|------------------|----------|---------|
| | INCOMING SUPPLY | MIN CIRCUIT AMPS | AMPS RLA | |
| OMC-48RMT | 115-1 PHASE - 60 HZ | 15 | 8.7 | R-404A |

CASE DESIGNED TO OPERATE IN AN AMBIENT OF 75°F OR LOWER AND RELATIVE HUMIDITY OF 55% OR LOWER

Zero Zone, Inc. • 110 N. Oakridge Dr.
North Prairie, WI 53153-9792
1-800-247-4496 • FAX: 1-262-392-6450
www.zero-zone.com



All specifications are subject to change without notice.