



Refrigeration Data

Refrigeration	
Evaporator Temperature (°F) ¹	
Baseline Btu/h ^{2,3}	
Discharge Air Temperature (°F) (w/ 8°F Superheat)	
Btu/h Deducts	
Solid Doors	
Btu/h Adders	
Optional Glass Windowed End Panel (Each)	
Anti-Sweat High Humidity Package	

Individual Case Data (Includes 1 Pair of End Panels)		
1-Door		
FF	IC	
-7	-16	
982	1,084	
-3	-12	
1-Door		
-65	-65	
1-Door		
315	350	
100	100	

Electrical & Energy Data ⁴

Fan Motors (115V) ⁵	
High Efficiency Electronic (ECM or SSC)	
Lighting System (120V)	
LED Lighting (Zero Zone ChillBrite 4244)	
Anti-Sweat Heat (115V) ⁶	
Standard-Energy Doors (Zero Zone CoolView Envision)	
High Humidity Package (Zero Zone CoolView Envision) ⁷	
Solid Doors (Zero Zone CoolView Envision)	
Defrost Heaters ^{8,9}	
Single Phase (120V/1/60Hz)	

Individual Case Data (Includes 1 Pair of End Panels)		
1-Door		
Amps	Watts	
0.30	20	
Amps	Watts	
0.15	18	
Amps	Watts	
0.73	83	
1.06	122	
0.50	58	
Amps	Watts	
9.10	1,047	

Physical Data

Refrigeration Piping: R-404A & R-448A ¹⁰	
Suction Line O.D. (Standard Refrigeration Exit)	
Liquid Line O.D.	
Refrigeration Piping: CO2 ¹⁰	
Suction Line O.D. (Standard Refrigeration Exit)	
Liquid Line O.D.	

Outlet Size (in.)	
1-Door	
3/8	
1/4	
1-Door	
3/8	
1/4	

Case Calculations	Solid End Panel
Facings (ft. ²)	N/A
Packout (ft. ³) 22" Shelves	N/A
Packout (ft. ³) 24" Shelves	N/A
Weight (lbs.)	30

1-Door	
13.6	
25.4	
27.3	
530	

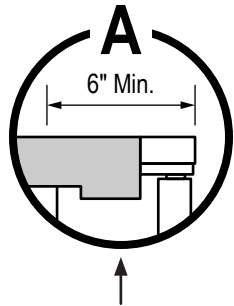
Notes:

- For high-glide refrigerants, use dew point for unit sizing. Adjust evaporator pressure as needed to maintain discharge air temperatures.
- Baseline Evaporator Btu/h based on parallel rack system, LED lighting (Zero Zone ChillBrite® 4190), standard-energy doors (Zero Zone CoolView® Envision®), and ECM or SSC electronic fan motors.
- For condensing units (non-rack system), multiply total Btu/h rating by 1.06.
- Amps are based on electrical nameplate values. Watts are based on laboratory observations of actual energy use.
- One fan motor per door.
- Door (Anti-Sweat) Options: standard-energy and high-humidity package = heated glass and heated rails; solid doors = heated rails. All options include mullion and sill heat.
- Anti-Sweat Controller required for the high humidity package to comply with DOE energy requirements.
- Electric Defrost: 1 per day. Defrost termination temperature setting is 50°F. Failsafe time is 55 minutes. Refer to the Installation & Operation Manual for details.
- Hot Gas Defrost: 1 per day. Defrost termination temperature setting is 65°F. Failsafe time is 30 minutes. Refer to the Installation & Operation Manual for details. Zero Zone recommends 1 riser per refrigeration circuit when utilizing hot gas defrost.
- Individual risers for circuits of more than one case require refrigeration line sizing by Zero Zone.

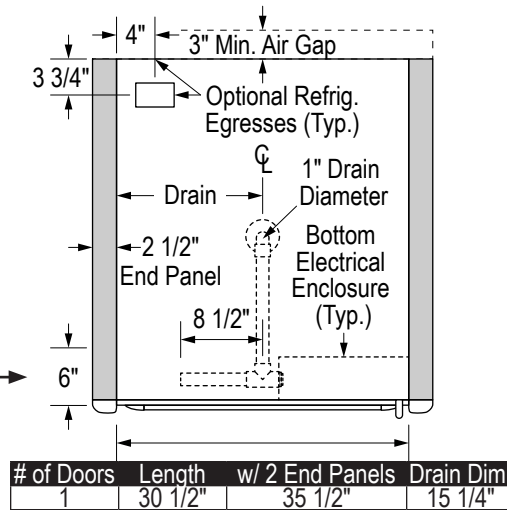


Highlight Merchandiser® 1RHLC30 Specs

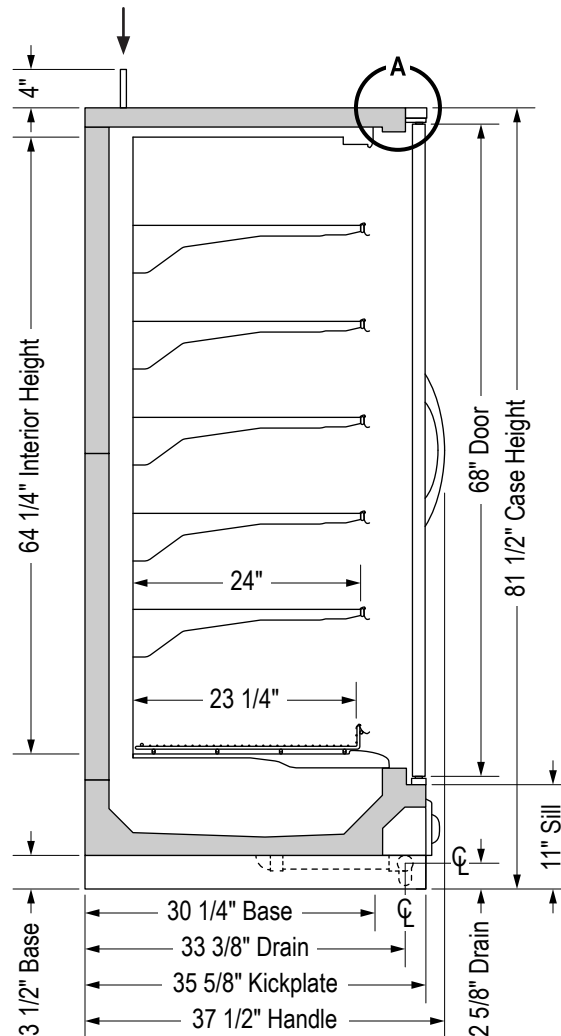
1-Door Low Temp Reach-Ins with 30" x 68" CoolView® Envision® Doors



Building soffits must be set back at least 6" from the front of the doors to allow access to electrical wiring on the top of the case.



Top refrigeration connections increase case height by up to 4".



SS-123-D

Specifications are subject to change without notice. All dimensions are nominal.
Case designed to operate in an ambient temperature of 75°F and relative humidity of 55% or lower.

9/27/2023



Zero Zone, Inc.
800-247-4496 • www.zero-zone.com
© 2023 Zero Zone, Inc.

