



Highlight Merchandiser® 1RHMC30 & 1RHLC30 Hybrid™ Specs

1-Door Medium and Low Temp Hybrid™ Reach-Ins with 30" x 68" CoolView® Envision® Doors

Standard Package

Refrigeration Data
Refrigerant Charge (lbs.) ¹
Zero Zone Condensing Unit #
Condensing Unit Crated Weight (lbs.)
Electrical & Energy Data ^{2, 3, 4}
MOCP (amps) ^{5, 7}
MCA (amps) ^{6, 7}
Daily Energy Use (kWh)
Rejected Heat (Btu/h) ⁸
Electrical & Energy Data ^{2, 3, 4}
MOCP (amps) ^{5, 7}
MCA (amps) ^{6, 7}
Daily Energy Use (kWh)
Rejected Heat (Btu/h) ⁸

R-404A Refrigerant	
1-Door Med Temp	1-Door Low Temp
3.0	3.5
69-10042	69-10047
61	115
With Condensate Removal System	
15	15
8.2	14.6
3.6	10.5
506	1,496
Without Condensate Removal System	
15	15
6.4	12.5
3.5	10.3
492	1,468

R-448A Refrigerant	
1-Door Med Temp	1-Door Low Temp
3.0	3.5
69-9933	69-10488
61	115
With Condensate Removal System	
15	15
8.2	14.6
3.3	10.3
468	1,469
Without Condensate Removal System	
15	15
6.4	12.5
3.2	10.1
454	1,441

High Humidity Package⁹

Refrigeration Data
Refrigerant Charge (lbs.) ¹
Zero Zone Condensing Unit #
Condensing Unit Crated Weight (lbs.)
Electrical & Energy Data ^{3, 4, 10}
MOCP (amps) ^{5, 7}
MCA (amps) ^{6, 7}
Daily Energy Use (kWh)
Rejected Heat (Btu/h) ⁸
Electrical & Energy Data ^{3, 4, 10}
MOCP (amps) ^{5, 7}
MCA (amps) ^{6, 7}
Daily Energy Use (kWh)
Rejected Heat (Btu/h) ⁸

1-Door Med Temp	1-Door Low Temp
3.0	3.5
69-10042	69-10047
61	115
With Condensate Removal System	
15	20
8.8	15.0
5.9	14.2
832	2,017
Without Condensate Removal System	
15	15
6.9	12.9
5.8	14.0
818	1,988

1-Door Med Temp	1-Door Low Temp
3.0	3.5
69-9933	69-10488
61	115
With Condensate Removal System	
15	20
8.8	15.0
5.4	13.8
761	1,959
Without Condensate Removal System	
15	15
6.9	12.9
5.3	13.6
747	1,931

Physical Data

Case Calculations
Facings (ft. ²)
Packout (ft. ³) 24" Shelves
Weight (lbs.) ¹¹

1-Door Med Temp	1-Door Low Temp
13.6	13.6
27.3	27.3
532	532

1-Door Med Temp	1-Door Low Temp
13.6	13.6
27.3	27.3
532	532

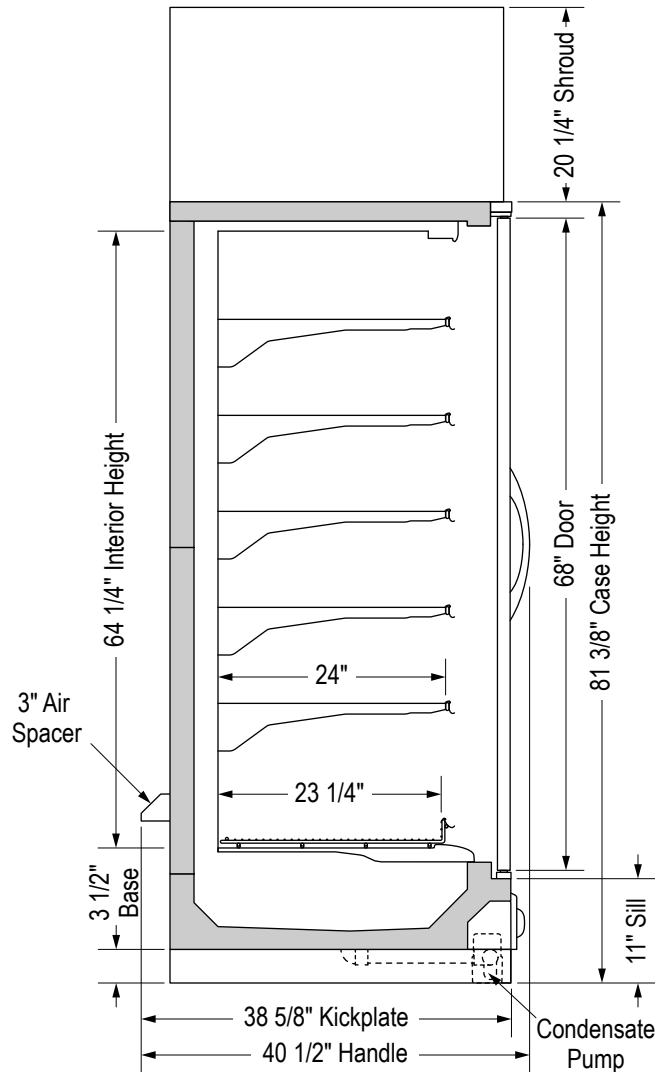
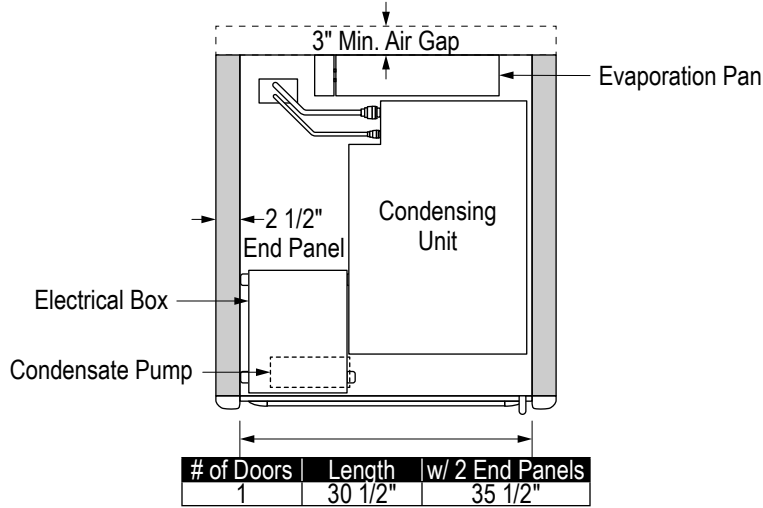
Notes:

- Refrigerant charge includes combined condensing unit and case charges.
- Data based on Zero Zone ChillBrite® 4190 LED lighting, Zero Zone CoolView® Envision® doors, and SSC electronic fan motors. See separate remote case spec sheets for more details.
- 115V 3-wire service; 115V-1PH-60HZ; black power, white neutral, green ground. Buck/boost transformer available for low voltage conditions.
- Optional main service disconnect is available upon request.
- MOCP (Maximum Over-Current Protection) is the maximum circuit breaker size that can be used to properly protect the product.
- MCA (Minimum Circuit Ampacity) is used to calculate the minimum wire size. This is selected so wires will not overheat in typical operating conditions and prevent nuisance circuit breaker trips.
- Zero Zone recommends that a circuit breaker size should be larger than the MCA, but smaller than or equal to the MOCP. For example, if the equipment is listed having an MCA of 36.8 amps and an MOCP of 45 amps, a 40 amp or 45 amp circuit breaker would be acceptable.
- Adequate ventilation must be provided to dissipate rejected heat from the top of the unit for proper performance. Clearance of less than 30" above the top of the shroud to the ceiling requires special design considerations. See Zero Zone Hybrid™ Installation & Operation Manual for specific details.
- High Humidity Package includes high-wattage anti-sweat components that prevent condensation on doors and components in ambient conditions up to 85°F and relative humidity of 70%. An anti-sweat controller is required for DOE compliance.
- Data based on Zero Zone ChillBrite® 4190 LED lighting, Zero Zone CoolView® Envision® extra heat doors, and SSC electronic fan motors.
- Does not include weight of condensing unit. Weights include 2 end panels at 60 lbs. per pair.



Highlight Merchandiser® 1RHMC30 & 1RHLC30 Hybrid™ Specs

1-Door Medium and Low Temp Hybrid™ Reach-Ins with 30" x 68" CoolView® Envision® Doors



SS-126-E

Specifications are subject to change without notice. All dimensions are nominal. Case designed to operate in an ambient temperature of 75°F and relative humidity of 55% or lower. See separate remote case spec sheets for additional details.

3/2/2023



Zero Zone, Inc.
800-247-4496 • www.zero-zone.com
© 2023 Zero Zone, Inc.

