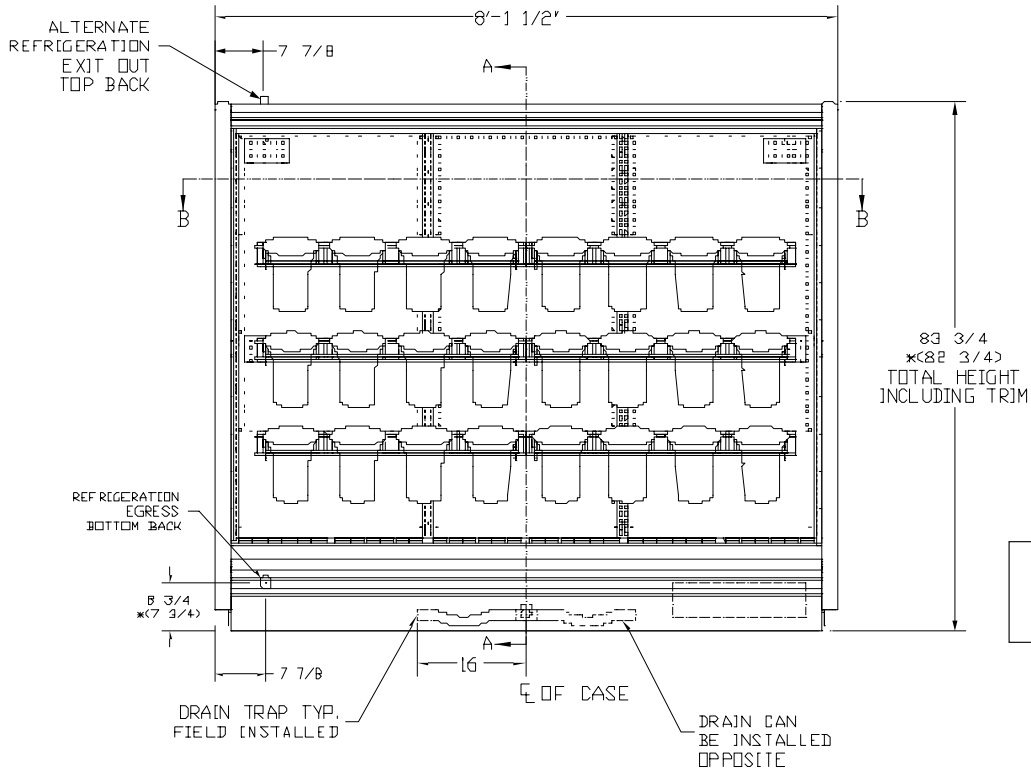
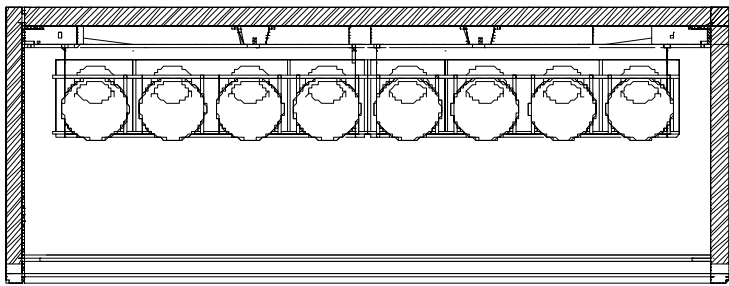




# 30MCCFL SPECIFICATION SHEET

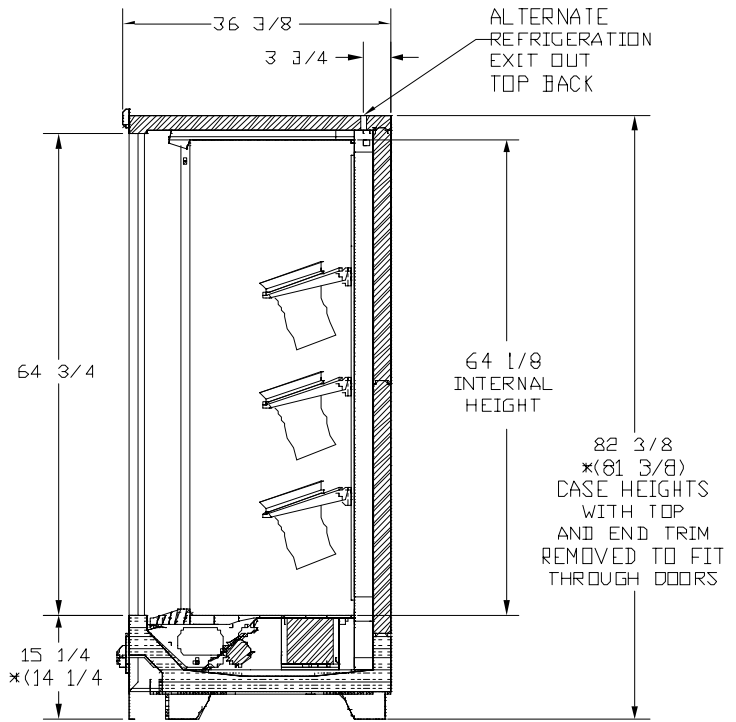


Front Elevation  
30MCCFL



SECTION B-B

Top View  
Shown in Section  
30MCCFL



SECTION A-A

Side View

Zero Zone, Inc. • 110 N. Oakridge Dr.  
North Prairie, WI 53153-9792  
1-800-247-4496 • FAX: 1-262-392-6450  
www.zero-zone.com



All specifications are subject to change without notice.