

AUXILIARY TOE-KICK FAN INSTALLATION

Instructions for installing auxiliary fan kits with the kickplate onto a Zero Zone display case. **See 66-0131 for instructions for the auxiliary fan kits that install on top of the display case.** This fan kit is part of a ventilation system that circulates air behind and under the display case. This ventilation system also includes filler panels between case ends and store walls. All components must be installed for these auxiliary fans to function as intended.

CRYSTAL MERCHANDISER®

The toe-kick fans are preassembled to the kickplate that is shipped with the case.

1. Detach the case bumper and bumper mounting bracket to access where to install the kickplate and toe-kick fans.
2. An electrical outlet box will be attached to a whip from the case electrical box and resting on top of the case for shipping (See Figure 1). Route the outlet box and whip behind and under the case.
3. Install outlet box to the mounting bracket under the case using 2 thread rolling screws with the outlet box plate positioned behind the mounting bracket (See Figure 2).
4. Plug the power cord for the toe-kick fan into the electrical outlet box.
5. Install the kickplate with the toe-kick fans to the display case (See Figure 3).
 - a. Install Tinnerman clip at each base to the kickplate support bracket.
 - b. Position the side kickplate or kickplate splice (if applicable) and front kickplate.
 - c. Insert fasteners to secure the front and side kickplate or kickplate splice (if applicable) to the Tinnerman clips.
6. Reattach the bumper mounting bracket and case bumper assembly.

FIGURE 1: Electrical Outlet Box

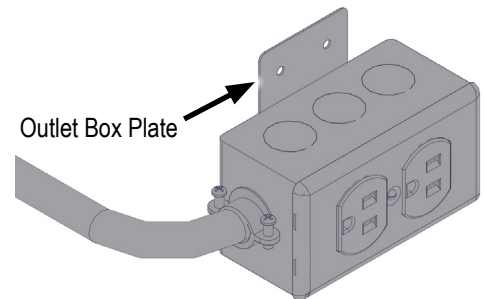


FIGURE 2: Install Electrical Outlet Under Case

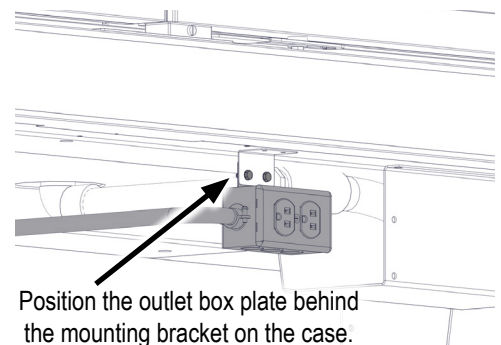
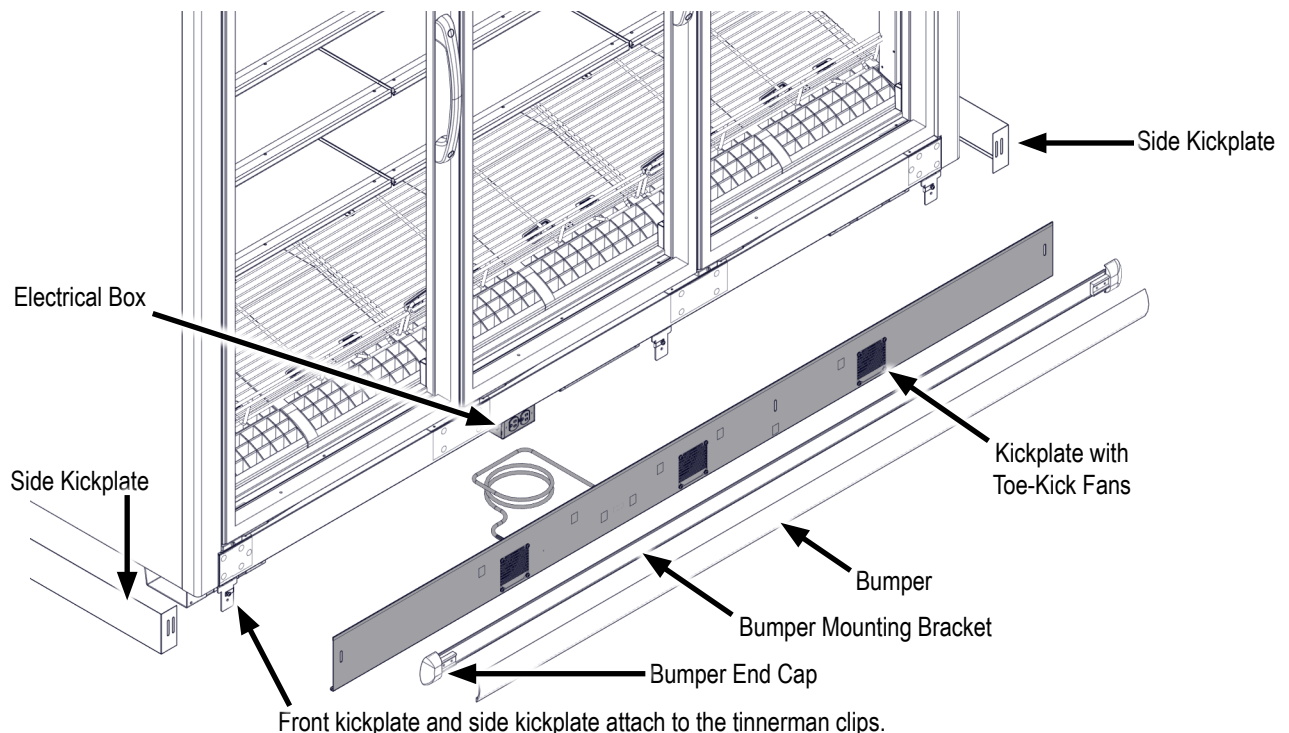


FIGURE 3: Install Kickplate with Toe-Kick Fans



AUXILIARY TOE-KICK FAN INSTALLATION

Instructions for installing auxiliary fan kits with the kickplate onto a Zero Zone display case. **See 66-0131 for instructions for the auxiliary fan kits that install on top of the display case.** This fan kit is part of a ventilation system that circulates air behind and under the display case. This ventilation system also includes filler panels between case ends and store walls. All components must be installed for these auxiliary fans to function as intended.

REVEAL MERCHANDISER®

The toe-kick fans are preassembled to the kickplate that is shipped with the case.

1. The bumper does not need to be removed, and the electrical outlet is factory installed to the bottom of the case (See Figure 4).
2. Plug the power cord for the toe-kick fan into the electrical outlet.
3. Install the kickplate with the toe-kick fans to the display case (See Figure 5).
 - a. Install Tinnerman clip at each base to the kickplate support bracket.
 - b. Position the side kickplate or kickplate splice (if applicable) and front kickplate.
 - c. Insert fasteners to secure the front and side kickplate (if applicable) to the Tinnerman clips.

FIGURE 4: Electrical Outlet for Toe-Kick Fan

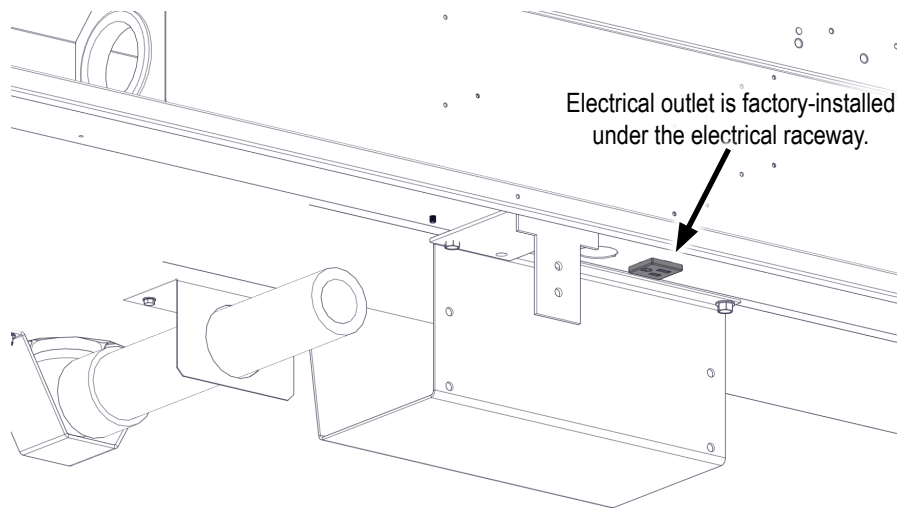


FIGURE 5: Install Kickplate with Toe-Kick Fans (only bottom of case shown)

