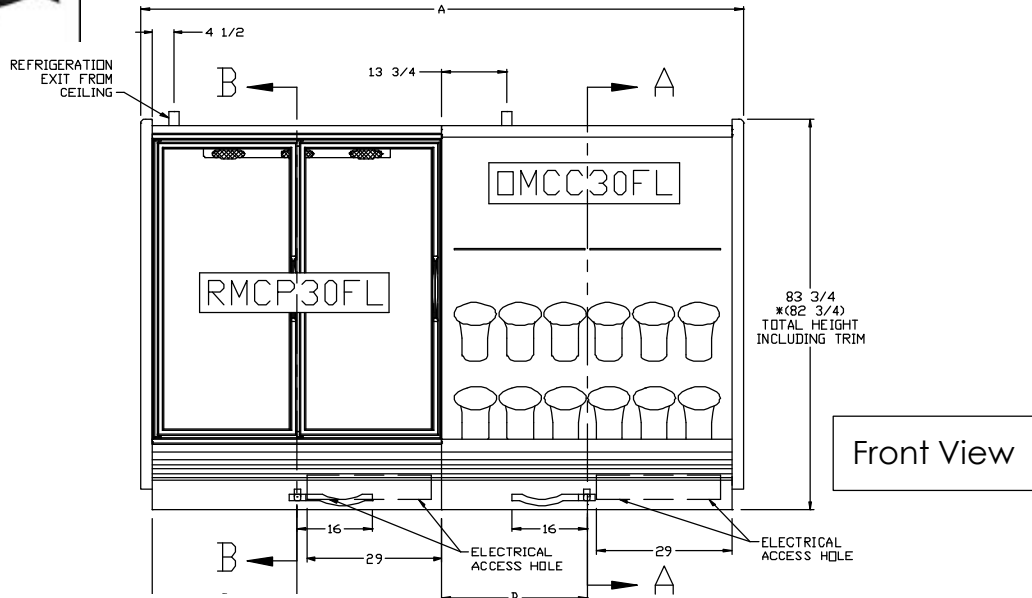
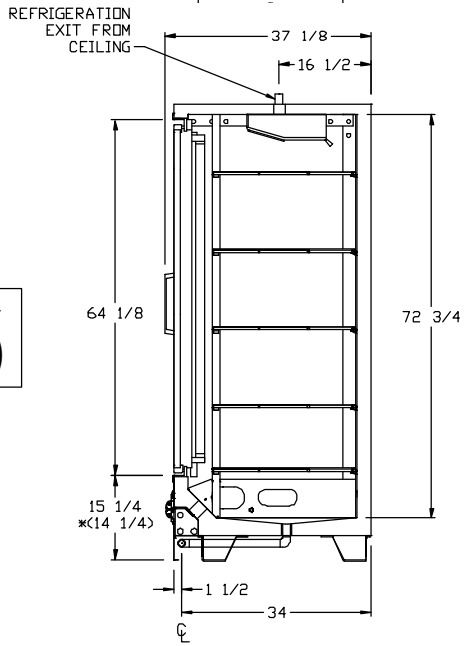




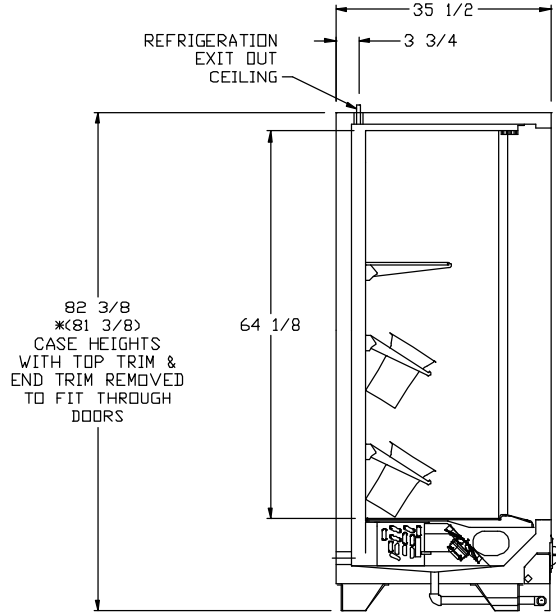
COMBO FLORAL SPECIFICATION SHEET



Front View



Side View
(Left Side)



Side View
(Right Side)

* USES 3 1/2" BASES

SECTION B-B

SECTION A-A

| REFRIGERANT CONNECTIONS SIZES FOR ELECTRIC DEFOST | | |
|--|---------------------|----------------------|
| | LIQUID LINE O.D. | SUCTION LINE O.D. |
| 2RMCP30FL | 3/8 | 5/8 |
| 3RMCP30FL | 3/8 | 5/8 |
| 2OMCC30FL | 3/8 | 1-1/8 |
| 3OMCC30FL | 3/8 | 1-1/8 |

| DRAIN LOCATION SCHEDULE | |
|----------------------------|--------|
| | B |
| 2RMCP30FL | 31" |
| 3RMCP30FL | 46.25" |
| 2OMCC30FL | 31" |
| 3OMCC30FL | 46.25" |

Zero Zone, Inc. • 110 N. Oakridge Dr.
North Prairie, WI 53153-9792
1-800-247-4496 • FAX: 1-262-392-6450
www.zero-zone.com

All specifications are subject to change without notice.



COMBO FLORAL SPECIFICATION SHEET

RMCP30FL CAPACITY SPECIFICATIONS

| CASE SIZE | SHELVING 29-5/8" X 26" | | CUBIC FEET CAPACITIES | APPROX. WEIGHT (POUNDS) |
|-----------|---------------------------|-------------------------|-----------------------|-------------------------|
| | GROSS SQ. FT. | (OPTIONAL) # OF BUCKETS | GROSS CUBIC FT. | |
| 2 | 32.1 | 18 | 69.46 | 575 |
| 3 | 48.0 | 24 | 103.28 | 873 |

Weight based on uncrated cases without ends, and fully shelved. Single End Weight: 32#

OMCC30FL CAPACITY SPECIFICATIONS

| CASE SIZE | CUBIC FEET CAPACITIES | | WEIGHT (POUNDS) |
|-----------|-----------------------|-----------------|-----------------|
| | # OF BUCKETS | GROSS CUBIC FT. | |
| 2 | 18 | 54.27 | 837 |
| 3 | 24 | 80.14 | 1,211 |

Weight based on uncrated cases without ends, and fully shelved. Single End Weight: 37#

ELECTRICAL SPECIFICATIONS FOR OMCC30FL

| MODEL NUMBER | FANS AMPS | (T-8) LIGHTS AMPS | ANTHONY STANDARD FRAME |
|--|---------------|-------------------|------------------------|
| ANTHONY FRAME | | | |
| 2OMCC30FL | 0.68 | 1.45 | 0.95 |
| 3OMCC30FL | 1.02 | 1.94 | 1.12 |
| * STANDARD FOR CASE IN A LINE-UP | | | |
| VOLTAGE: 115 VOLTS 1 PHASE 60 HZ | | | |
| BTU/HR ENERGY REQUIREMENTS: 20°F EVAPORATOR | | | |
| # OF DOORS | BTU/HR @ 20°F | | |
| 2 | 8,000 | | |
| 3 | 12,000 | | |
| Operates in an ambient of 75°F or lower and relative humidity of 55% or lower. | | | |

ELECTRICAL SPECIFICATIONS FOR RMCP30FL BY DOOR MANUFACTURER

| MODEL NUMBER | FANS AMPS | LIGHT AMPS ONE END* | LIGHT AMPS BOTH ENDS | (T-8) LIGHT AMPS | STD. DOOR | MULLION | FRAME | FRAMELESS DOOR | TOTAL FRAME MULLION STD. DOOR | ANTHONY ELM TOTAL |
|---|-----------|--|----------------------|------------------|-----------|---------|-------|----------------|-------------------------------|-------------------|
| ANTHONY DOORS | | | | | | | | | | |
| 2RMCP30FL | 2.4 | 1.65 | 2.4 | 1.45 | 0.72 | 0.43 | 0.95 | 0 | 2.10 | 0.55 |
| 3RMCP30FL | 2.4 | 2.4 | 3.3 | 1.94 | 1.08 | 0.86 | 1.12 | 0 | 3.06 | 0.79 |
| * STANDARD FOR CASE IN A LINE-UP | | | | | | | | | | |
| VOLTAGE: 115 VOLTS 1 PHASE 60 HZ. | | | | | | | | | | |
| BTU/HR ENERGY REQUIREMENTS: 20°F EVAPORATOR | | | | | | | | | | |
| # OF DOORS | BTU/HR | BTU/HR RATING BASED ON 800 MA T-12 LIGHTING | | | | | | | | |
| 2 | 2735 | CASE DESIGNED TO OPERATE IN AN AMBIENT OF 75°F OR LOWER AND RELATIVE HUMIDITY OF 55% OR LOWER. | | | | | | | | |
| 3 | 3705 | | | | | | | | | |