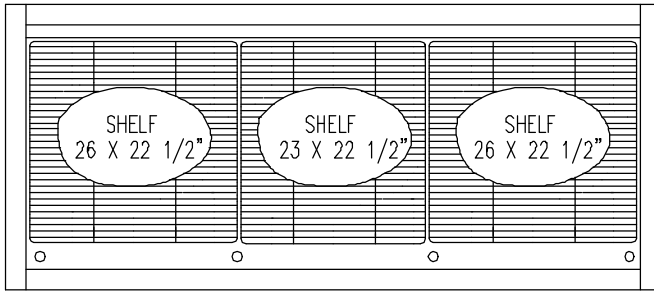
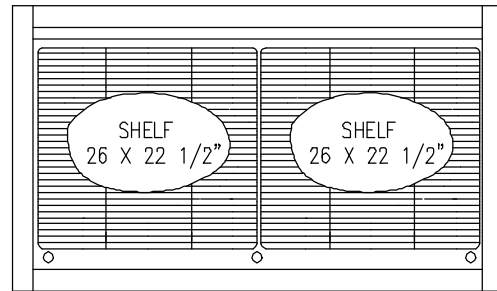




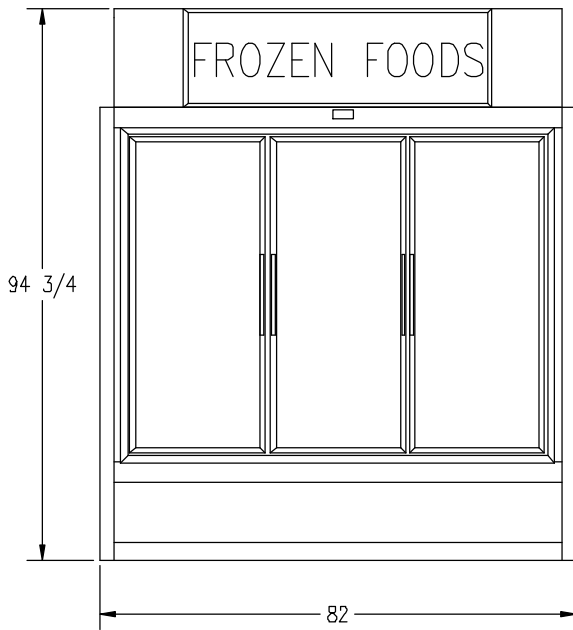
FSC SPECIFICATION SHEET



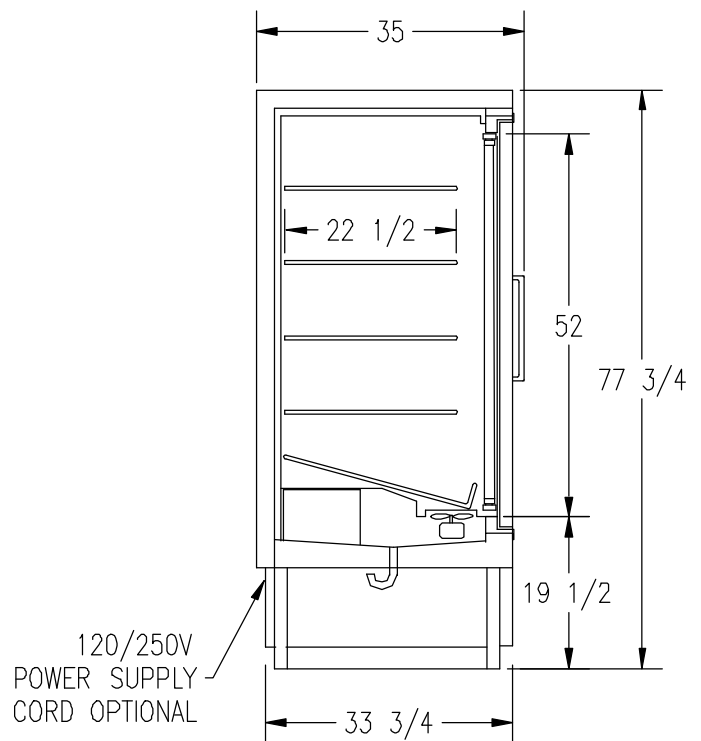
**Section A-A
3FSC**



Section A-A 2FSC



Front Elevation



Side View

MODEL	WEIGHT	OUTSIDE DIMENSIONS (INCHES)			INSIDE DIMENSIONS (INCHES)			CUBIC FEET CAPACITY	NET SHELF AREA SQ. FT.
		W	H	D	W	H	D		
2FSC	965	58 1/4	77 3/4	33 3/4	53	52	25 3/4	35.9	40.6
3FSC	1470	82	77 3/4	33 3/4	76 3/4	52	25 3/4	52	58.6

MODEL	ELECTRICAL				CHARGE (LBS.)	
	INCOMING SUPPLY		AMPS RLA	H.P.		REF.
2FSC	115-208/230V-1 PHASE-60 HZ.		13	1	R404A	4 1/4
3FSC	115-208/230V-1 PHASE-60 HZ.		16	1 1/2	R404A	5 1/2

Zero Zone Inc. • 110 N. Oakridge Dr.
 North Prairie, WI 53153-9734
 1-800-247-4496 • FAX: 1-414-392-6450
<http://www.zero-zone.com>



Proprietary Information on this sheet is subject to change without notice.