



Gemtron Corporation
YOUR INNOVATION PARTNER

INSTALLATION AND SERVICE MANUAL



tundra™, sierra™, yukon™, and polar™ doors and frames

TABLE OF CONTENTS

Frame Installation	Page 3
Door Installation.	Page 4
Electrical Connection	Page 5
Repairing and Maintaining Doors	Page 6
Replacing the Frame Heater	Page 7
Replacing Plastic Bushing	Page 8
Replacing Lighting	Page 8
Exploded View of Standard Door	Page 9
Exploded View of Standard Frame	Page 10
Exploded View of Walk-In Entry Door	Page 11
Shelving Installation	Page 12

Frame Installation

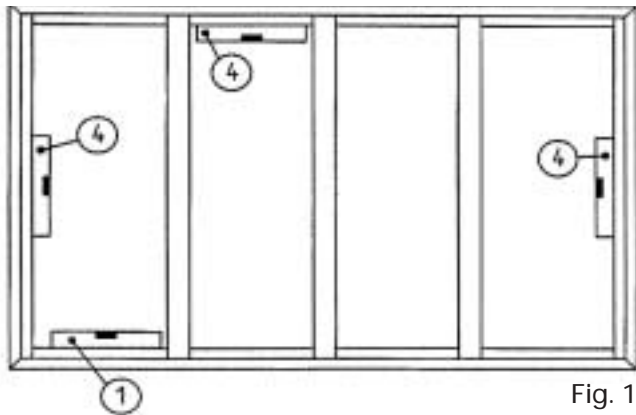


Fig. 1

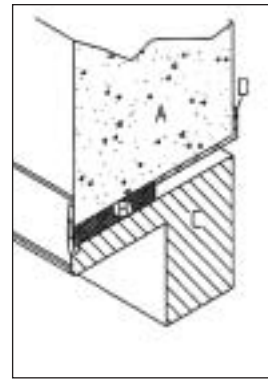


Fig. 2

A: Wall C: Frame profile
B: Spacer D: Cover plate

1. Place frame into opening in the panel and clamp top of frame. Check horizontal alignment with a level (figure 1), then fasten bottom of frame with enclosed screws.
2. Use spacer at the upper horizontal to prevent distortion of frame (figure 2).

Warning! Make sure that the gap is filled completely, to keep the frame profile from bending out.

3. Make sure that both diagonal measurements are of equal length.
4. Check both vertical and horizontal sides of the frame with a level (figure 4). Fasten the side profiles and the upper vertical portion of the frame with enclosed screws.
 - To cover the wall, a cover plate can be used (figure 2D).
 - For both cooler and freezer installations, the gap between the frame and cooler wall should be insulated with caulk.

Door Installation: *Reversible Door*

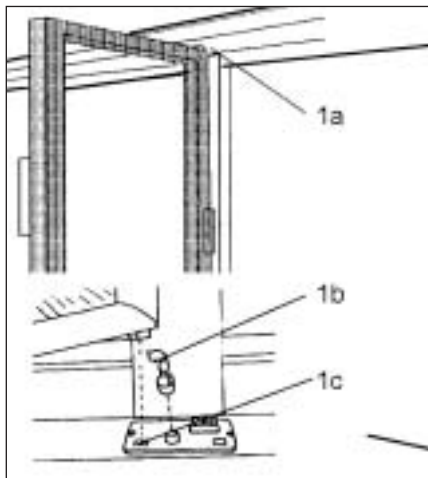


Fig. 1

1. Lift the door into the frame to fit the top door hinge pin into the frame (figure 1a).
2. Rest the door on the bottom of the frame. Connect the door plug into the frame, and push to secure (figure 2). Fasten the cover plate where the door cord exits (figure 3). (Note: Door cord only applies to heated door models.)

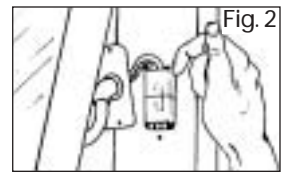


Fig. 2

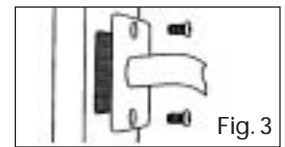


Fig. 3

3. Place the door's hold-open spring (figure 1b) on the mounting plate pin. Place the door onto the hinge plate so that the door pin fits into the hole (figure 1c). Swing the door open or closed to drop it into its proper position.

Warning! Ensure that the door cord fits and runs smoothly in the door profile!

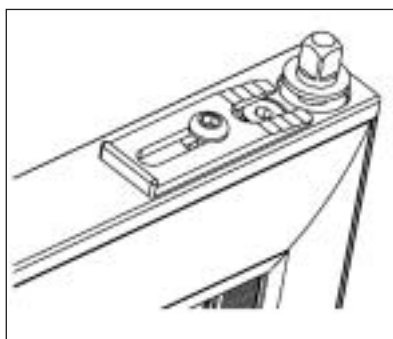


Fig. 4a

4. To mount the security plate, loosen the screw provided for the security plate (figure 4a). Move the plate forward until the hinge pin is lifted as high as possible. Tighten the screw while the pin is in this position (figure 4b).

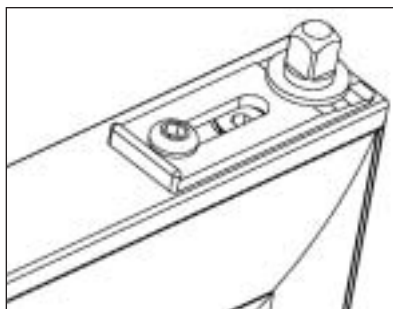


Fig. 4b

5. To adjust the door's closing tension, insert an allen wrench (part number 44711304, or a 5/32-inch wrench) into the frame hole and rotate the tool approximately three "clicks" (figure 5). Proper closing tension is achieved when the door is opened to a width of one inch, and then closes by itself.

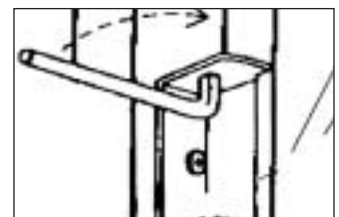


Fig. 5

6. After installation, if the door appears to sag (figure 6), loosen the screws on the bottom mounting plate, and adjust the door to the desired position. The bottom plate can be moved in each direction.

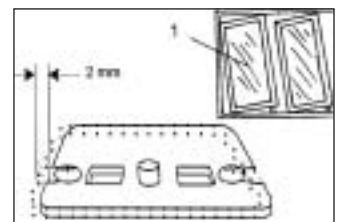


Fig. 6

Warning! Mounting plate screws must be re-tightened, even if no adjustments are made to the bottom mounting plate.

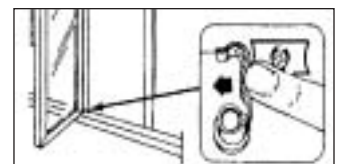


Fig. 7

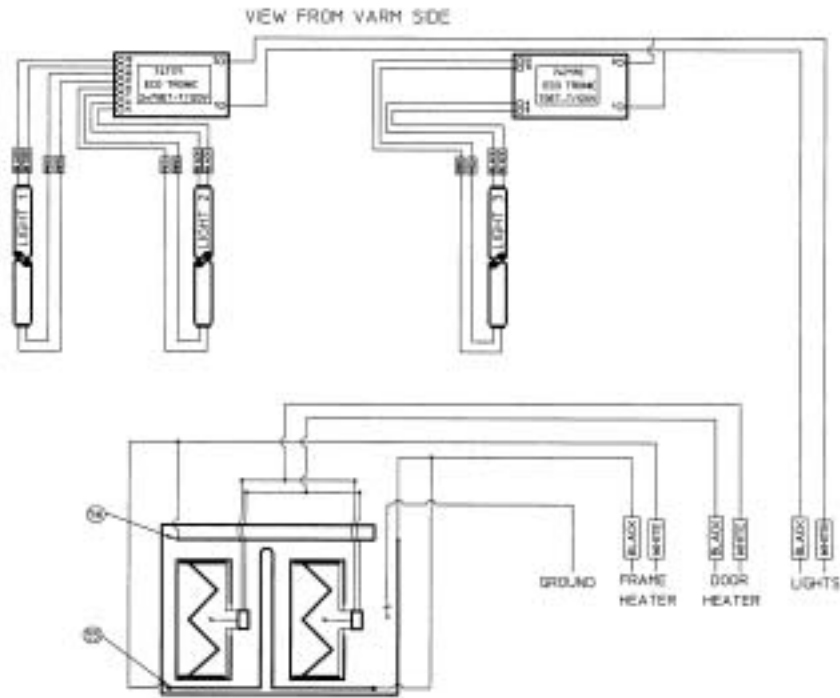
Door Hold-Open Spring

To keep the door in an open position, swing the door open as wide as possible and push the hold-open spring, as shown in figure 7. To release, simply close the door.

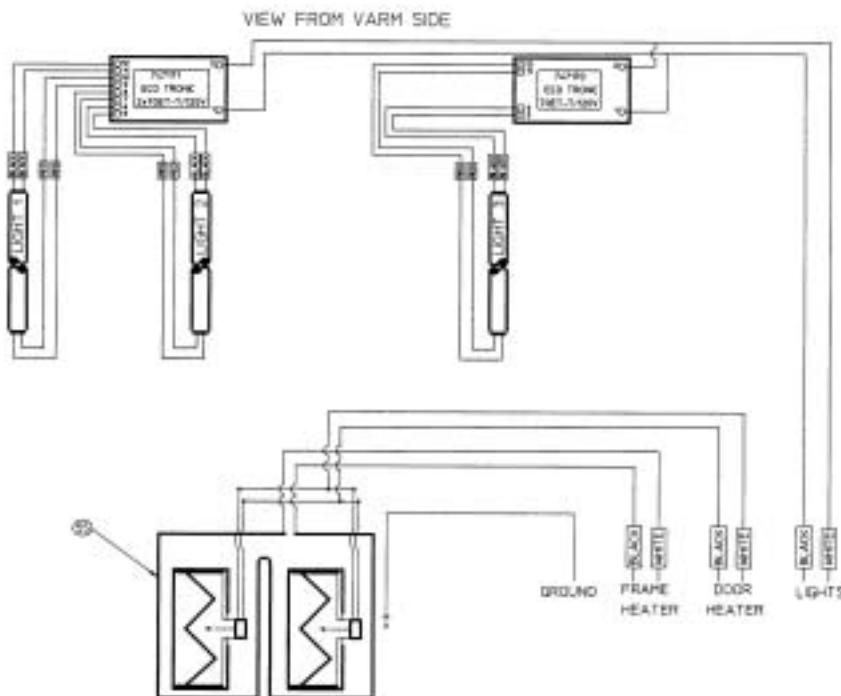
Electrical Connection

After the door and frame have been installed, run appropriate electrical wiring through the holes on the top of the frame. Open the cover plate to connect the wiring for both heating and lighting. Choose the wire area according to the actual electrical current in your installation. A sticker on the door frame should provide information about the total electrical current.

Warning! Only an authorized electrician should perform electrical installation and service.



Low-temperature frames



Normal-temperature frames

Repairing and Maintaining Doors

Door Disassembly

1. To disassemble the door, first disconnect it from its power source. Open the door and remove the lock plate (figure 1A).
2. Lift the door up and out to disengage the bottom door pin from the mounting plate, and rest the door on the bottom of the frame (figure 2A).
3. Remove the cover plate for the door wiring, and disconnect the electrical cord (figure 3A).

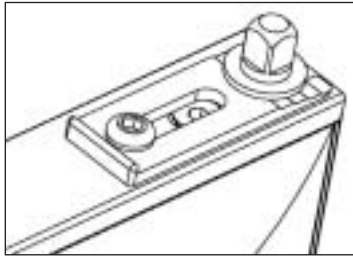


Fig. 1A

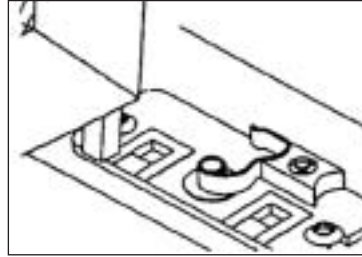


Fig. 2A

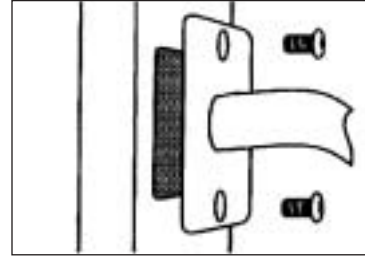


Fig. 3A

Door Spring Replacement

1. Disconnect the frame from the power source. Remove the door as shown above in the "Door Disassembly" section. Remove the magnetic gasket (figure 1a), starting at an upper corner and working your way down. Next, remove the plastic cover (figure 1b) with a screwdriver, again starting in an upper corner. If the plastic cover is damaged during this process, it must be replaced.
2. Remove the locking pin (figure 2a).
3. Replace the door's spring mechanism (see the "Exploded View" on page 9). Refit the plastic cover, using a rubber mallet to position it properly. Use your finger to press the magnetic gasket back into position. Reinstall the door, following the "Door Installation" instructions on page 4.

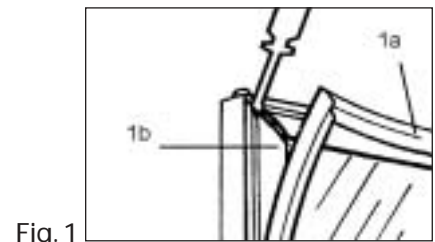


Fig. 1

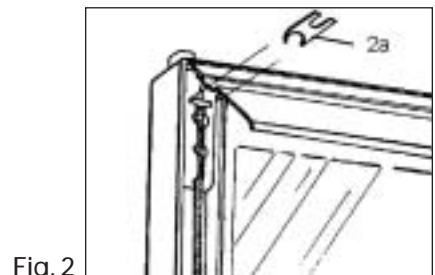


Fig. 2

Door Hinge Conversion

1. Disconnect the frame from its power source. Remove the door according to the "Door Disassembly" section above.
2. Move the door stop plate (found at the bottom of the door) to the opposite side of the door, so that the straight side of the door stop plate faces the front of the door, as shown in figure 1.1.
3. Remove the mounting plate and protection plate, and then attach them to the opposite side of the door (figure 1.1). Move the door's hold-open assembly to the opposite side of the mounting plate (figure 1.2). Reinstall the door, following the "Door Installation" instructions on page 4.

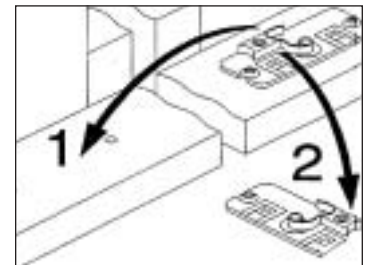


Fig. 1.1

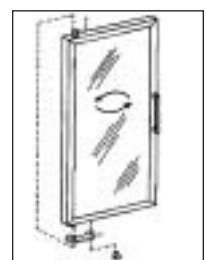


Fig. 1.2

Replacing the Frame Heater

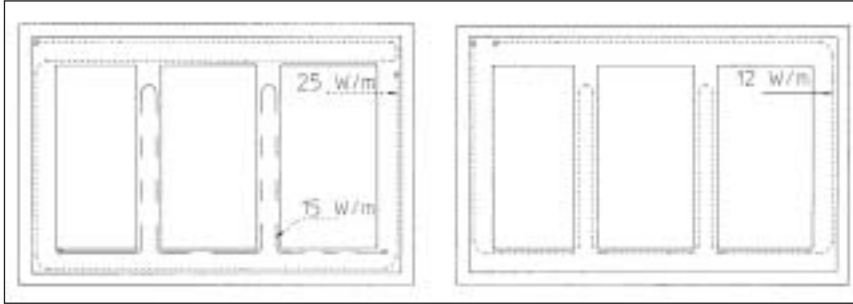


Fig. 1a

(polar™ low-temperature frame)

Fig. 1b

(tundra™ and sierra™ normal-temperature frames)

1. Disconnect the door frame from its power source.
2. Remove the door, following the instructions in the "Door Disassembly" section on page 6. Remove the plastic profiles covering the defective heating cable—removing the horizontal plastic profiles first, then the vertical profiles. Use a screwdriver and hammer to release the profile carefully (figure 2).
3. Cut the defective heating cable approximately 8 inches from its end, and remove it from the door frame. (figure 3).
4. Press the new heating cable into place, using your finger. Be careful not to damage the insulation surrounding the heating cable. Splice the heating cables, using line-to-line connectors (figure 4).

Warning! Only an authorized electrician or service contractor should perform heating cable replacement.

5. To replace the plastic profiles (covers), begin with the vertical covers and then move on to the horizontal ones.

To replace the plastic profiles on door mullions, begin by hooking the plastic cover on to the right side of the mullion (figure 5a). Replace the metal cover, ensuring that it fits in properly under the plastic cover (figure 5b). Then install the left plastic cover on to the mullion, using a rubber mallet to get it into position (figure 5c). If getting the cover into position is difficult, try hammering on both sides of the door mullion.

6. To replace the vertical and horizontal covers, begin by installing the plastic cover on to the metal cover (figure 6a). Install the metal cover on to the door frame (figure 6b). Use a rubber mallet to position the plastic cover on the back of the frame (figure 6c).
7. Reinstall the door, following the "Door Installation" instructions on page 4.
8. Reconnect the door frame to its power source.

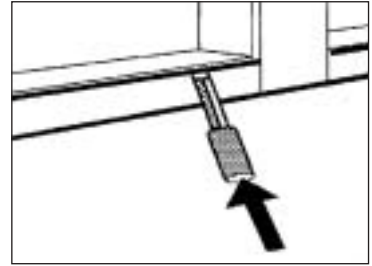


Fig. 2



Fig. 3

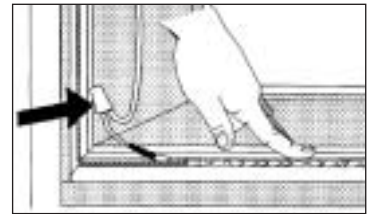


Fig. 4

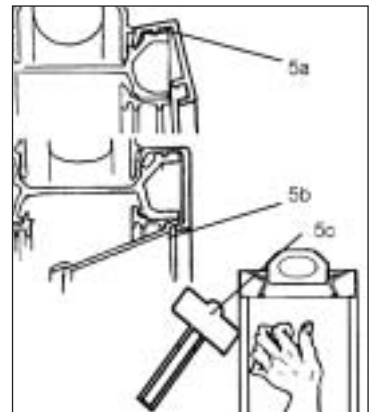


Fig. 5

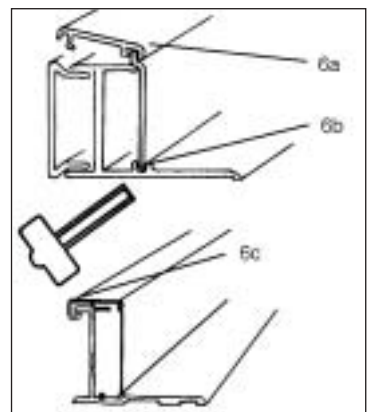


Fig. 6

Replacing Plastic Bushing

1. Remove the door, following the instructions in the "Door Disassembly" section on page 6.
2. The hole in the plastic bushing should be positioned toward the interior of the door (figure 1).
3. Remove the existing hinge bushing with a screwdriver, and install the new bushing.
4. Reinstall the door, following the "Door Installation" instructions on page 4.

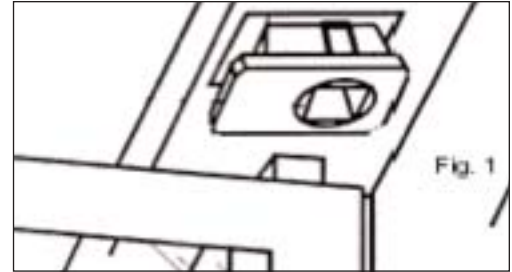


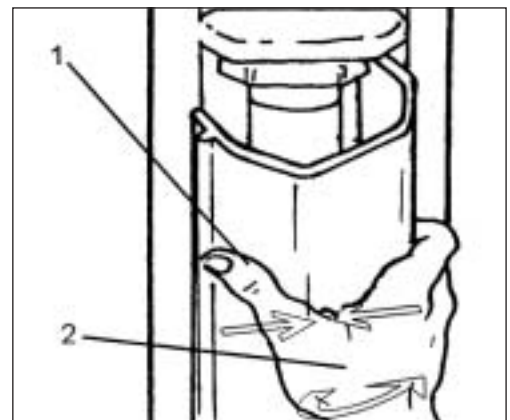
Fig. 1

Replacing Lighting

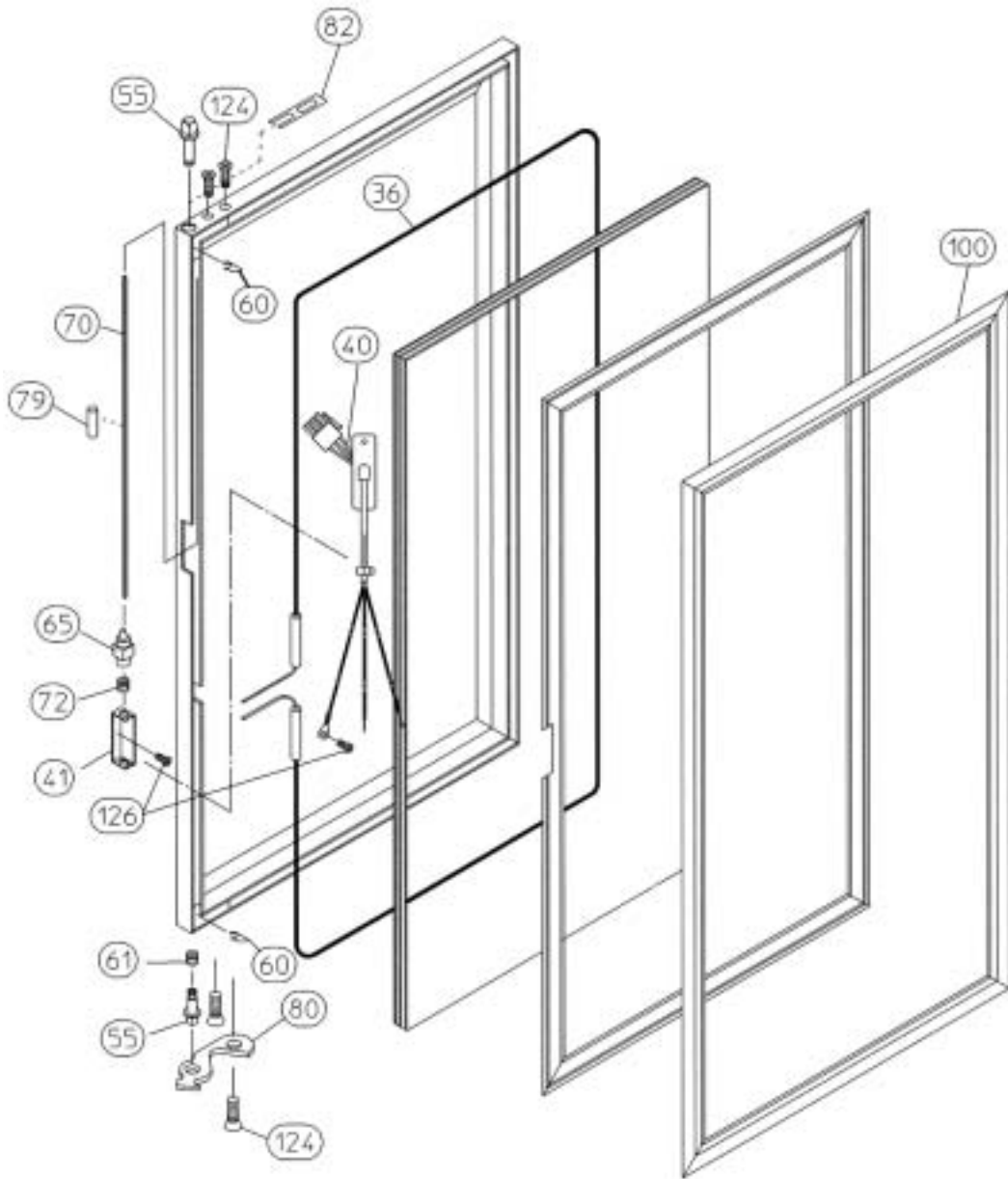
1. To replace a Gemtron Food Display standard lighting fixture, press together the lamp cover and twist it outward.
2. Twist the light tube 90° clockwise or counter-clockwise and remove it.
3. Put in the new light tube, twist the light tube 90°, and reinstall the lamp cover.

NOTE: For maximum light output in a low-temperature application, the tube guard and caps must be reinstalled.

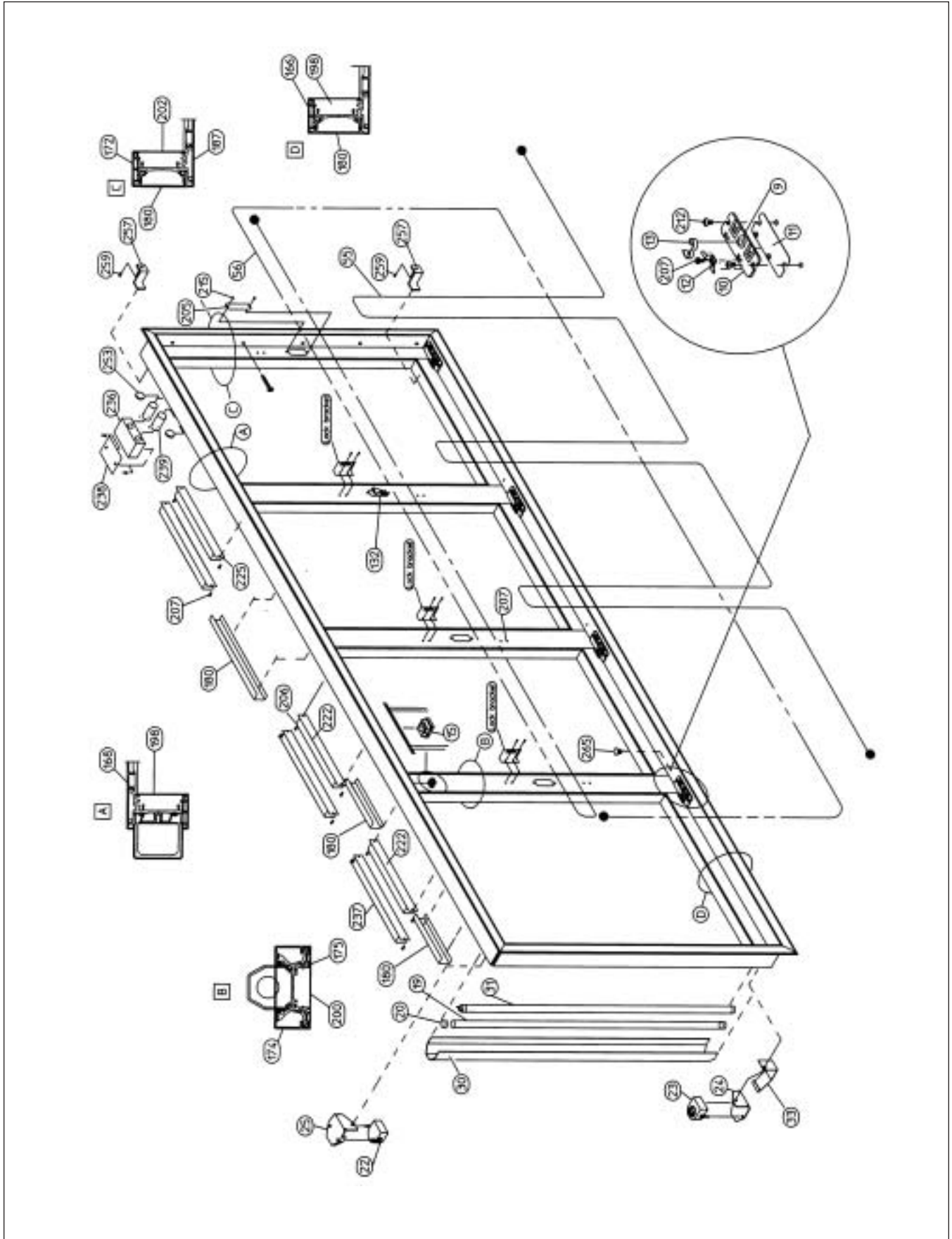
Warning! It is important that the lamp cover fits tightly against the aluminum profile. If air leaks in, the efficiency of the light tube will decrease.



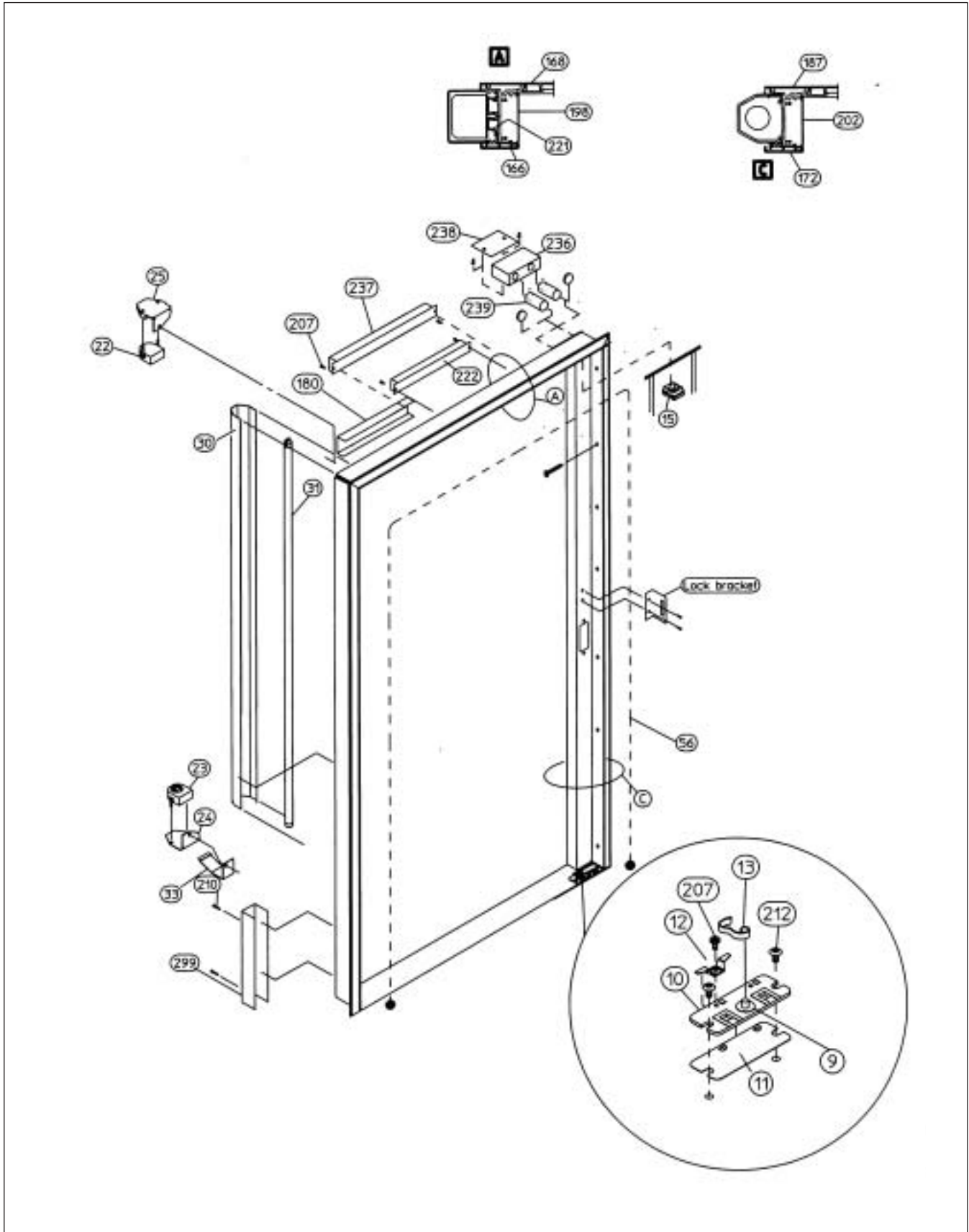
Exploded View of Standard Door



Exploded View of Standard Frame



Exploded View of Walk-In Entry Door



Shelving Installation

1. Gemtron shelving is attached to the back of Gemtron frames by quick-locking supports that are pre-assembled on these frames, as well as by holders attached to the front posts.
2. To install Gemtron shelves, first locate a front post at one end of the Gemtron frame. Insert the post holders into the post supports on the frame.
3. The post supports are distorted at the top of the engagement rail. After the post holders are installed, be sure to distort the bottom of the guide to prevent the guide from coming out.
4. Repeat step 3 until all of the front posts have been attached.
5. Gemtron provides stabilizer bars to help in shelf installation. These bars are used to support posts while each opening is being erected, one opening at a time. Installing the shelves in each opening will provide strength and help in the shelf installation process.
6. After the first opening has been erected, move the stabilizer bars to the next opening to help in the assembly of posts. Repeat until the entire line-up has been completed.
7. Gemtron shelves will engage in the slots on the back of each post. Note: The slots on Gemtron posts face toward the rear of the cooler/freezer box.
8. Shelves and posts can be leveled by unscrewing the leveling bolt on the bottom of each post. Make sure the posts are level, both side-to-side and front-to-back.
9. Gemtron shelves may be slanted by adjusting the rear of each shelf into a higher slot on the rear post than the front of the shelf.





Gemtron Corporation
YOUR INNOVATION PARTNER

Gemtron Food Display

2840 Nebo Road

Madisonville, Kentucky 42431

Phone: 270.821.2864

Toll-Free: 1.800.326.2717

Fax: 270.326.3624

E-mail: info@gemtronfooddisplay.com

www.gemtronfooddisplay.com

SCHOTT
glass made of ideas

Drawings courtesy of SCHOTT TERMOFROST®