



Highlight Merchandiser® RHZC30IM Ice Merchandiser Specs

Low Temp Ice Merchandiser Reach-Ins with 30" x 68" CoolView® Envision® Doors

RHZC30IM: IM=Ice Merchandiser

Refrigeration Data

Refrigeration	Individual Case Data (Includes 1 Pair of End Panels)		
	1-Door	2-Door	3-Door
Evaporator Temperature (°F) ¹	0	0	0
Baseline Btu/h ^{2,3}	990	1,900	2,670
Discharge Air Temperature (°F) (w/ 8°F Superheat)	4	4	4
Btu/h Deducts	Per Door Avg		
Solid Doors	-65		
Btu/h Adders	Per Door Avg		
Anti-Sweat High Humidity Package	100		

Electrical & Energy Data ⁴

Electrical & Energy Data ⁴	Individual Case Data (Includes 1 Pair of End Panels)					
	1-Door		2-Door		3-Door	
Fan Motors (115V) ⁵	Amps	Watts	Amps	Watts	Amps	Watts
High Efficiency Electronic (ECM or SSC)	0.30	20	0.60	38	0.90	59
Lighting System (120V)	Amps	Watts	Amps	Watts	Amps	Watts
LED Lighting (Zero Zone ChillBrite ⁵)	0.15	18	0.29	35	0.44	53
Anti-Sweat Heat (115V) ⁶	Amps	Watts	Amps	Watts	Amps	Watts
Standard-Energy Doors (Zero Zone CoolView Envision)	0.72	83	1.43	164	2.13	245
High Humidity Package (Zero Zone CoolView Envision) ⁷	1.06	122	2.15	247	3.20	368
Solid Doors (Zero Zone CoolView Envision)	0.50	58	1.01	116	1.50	173
Defrost Heaters ^{8,9}	Amps	Watts	Amps	Watts	Amps	Watts
Single Phase (208V/1/60Hz)	9.10	1,047	8.00	1,680	12.00	2,496
Three Phase (208V/3/60Hz)	N/A	N/A	4.66	1,680	6.93	2,496

Physical Data

Physical Data	Outlet Size (in.)		
	1-Door	2-Door	3-Door
Refrigeration Piping ¹⁰			
Suction Line O.D. (Top Refrigeration Exit)	1/2	1/2	5/8
Liquid Line O.D. (Electric Defrost)	1/4	3/8	3/8

Case Calculations	Solid End Panel	1-Door	2-Door	3-Door
Facings (ft. ²)	N/A	14.1	27.8	41.4
Packout (ft. ³) 24" Shelves	N/A	27.9	55.6	82.9
Packout Limit (lbs.) 24" Shelves	N/A	837	1,668	2,487
Weight (lbs.)	30	532	783	1,033

Notes:

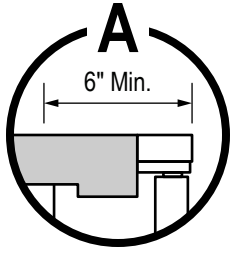
- For high-glide refrigerants, use dew point for unit sizing. Adjust evaporator pressure as needed to maintain discharge air temperatures.
- Baseline Evaporator Btu/h based on parallel rack system, LED lighting (Zero Zone ChillBrite®), standard-energy doors (Zero Zone CoolView® Envision®), and ECM or SSC electronic fan motors.
- For condensing units (non-rack system), multiply total Btu/h rating by 1.06.
- Amps are based on electrical nameplate values. Watts are based on laboratory observations of actual energy use.
- One fan motor per door.
- Door (Anti-Sweat) Options: standard-energy and high humidity package = heated glass and heated rails; solid doors = heated rails. All options include mullion and sill heat.
- Anti-Sweat Controller required for the high humidity package to comply with DOE energy requirements.
- Electric Defrost: 1 per day. Defrost termination temperature setting is 50°F. Failsafe time is 55 minutes. Refer to the Installation & Operation Manual for details.
- Hot Gas Defrost: 1 per day. Defrost termination temperature setting is 65°F. Failsafe time is 30 minutes. Refer to the Installation & Operation Manual for details.
- Individual risers for circuits of more than one case require refrigeration line sizing by Zero Zone.



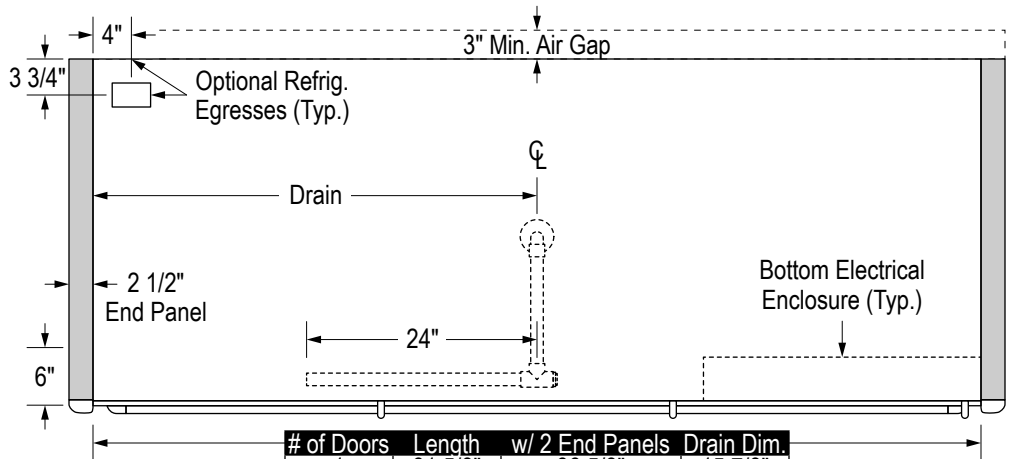
Highlight Merchandiser® RHZC30IM Ice Merchandiser Specs

Low Temp Ice Merchandiser Reach-Ins with 30" x 68" CoolView® Envision® Doors

RHZC30IM: IM=Ice Merchandiser

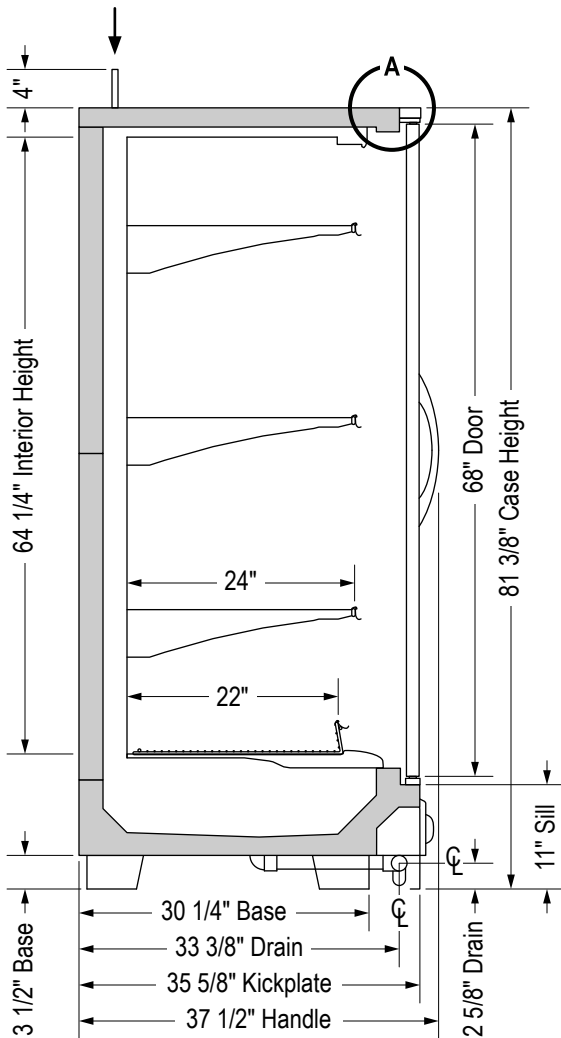


Building soffits must be set back at least 6" from the front of the doors to allow access to electrical wiring on the top of the case.

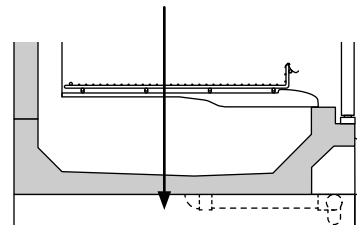


# of Doors	Length	w/ 2 End Panels	Drain Dim.
1	31 5/8"	36 5/8"	15 7/8"
2	62 1/8"	67 1/8"	31"
3	92 1/2"	97 1/2"	46 1/4"

Optional top refrigeration connection increases case height by up to 4".



- Coil cover support posts, protective rear wall grid, and heavy duty bottom wire rack per door are included.
- 1-Door bases run front to back.



SS-64-C

Specifications are subject to change without notice. All dimensions are nominal.
Case designed to operate in an ambient temperature of 75°F and relative humidity of 55% or lower.

2/2/2021



Zero Zone, Inc.
800-247-4496 • www.zero-zone.com
© 2021 Zero Zone, Inc.

