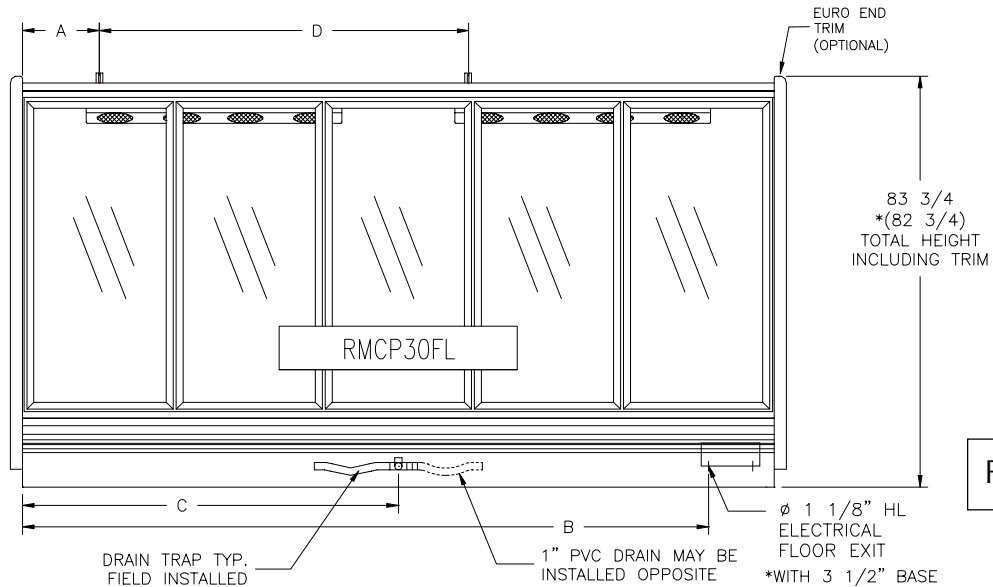
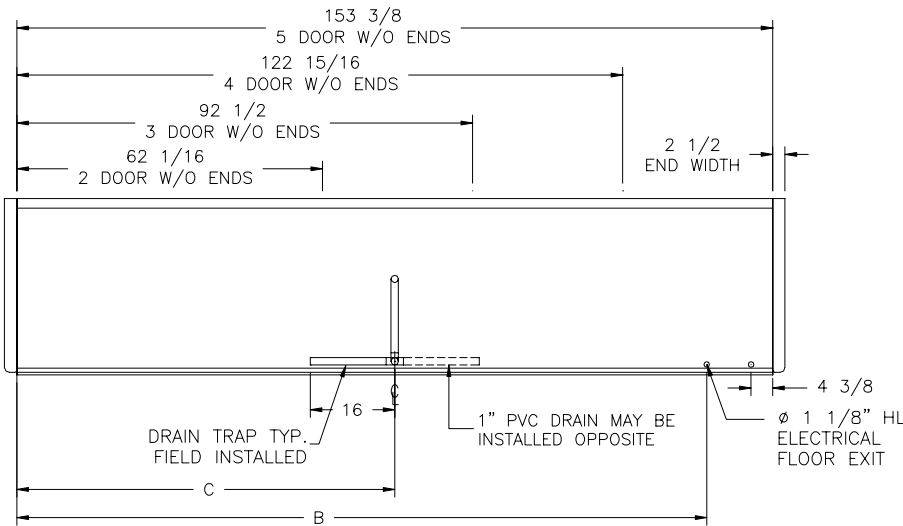




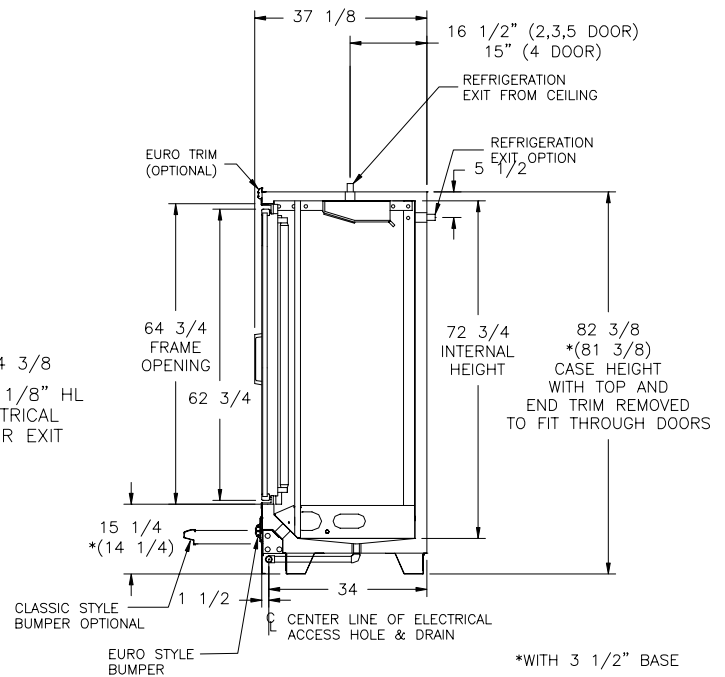
RMCP30FL SPECIFICATION SHEET



Front View



Top View
Shown in Section
5RMCP30FL



Side View

* NOTE: CASE DIMENSIONS SHOWN REFLECT STANDARD 4-1/2" HIGH BASES
DIMENSIONS SHOWN IN (PARENTHESIS) REFLECT 3-1/2" BASES.

Zero Zone, Inc. • 110 N. Oakridge Dr.
North Prairie, WI 53153-9792
1-800-247-4496 • FAX: 1-262-392-6450
www.zero-zone.com

All specifications are subject to change without notice.



RMCP30FL SPECIFICATION SHEET

ELECTRICAL CONNECTION (B) & DRAIN (C) LOCATION SCHEDULE		
MODEL NUMBER	B	C
2RMCP30FL	48 5/8	31
3RMCP30FL	79 1/16	46 1/4
4RMCP30FL	109 1/2	61 1/2
5RMCP30FL	139 15/16	76 11/16

RMCP30FL CAPACITY SPECIFICATIONS			
CASE SIZE	SHELVING	CUBIC FEET CAPACITIES	WEIGHT*
	GROSS SQ. FT.	GROSS CUBIC FT.	POUNDS
2	53.50	66.0	575
3	80.25	98.3	873
4	107.00	130.6	1128
5	133.75	163.0	1440

WEIGHT BASED ON UNCRATED CASES WITHOUT ENDS, AND FULLY SHELVED.
SINGLE END WEIGHT: 54#

REFRIGERATION LOCATION SCHEDULE			
	A	CONNECTIONS	
		INLET	SUCTION
2RMCP30FL	14	3/8 OD	5/8 OD
3RMCP30FL	23	3/8 OD	5/8 OD
4RMCP30FL	37	3/8 OD	5/8 OD
5RMCP30FL	26	3/8 OD	5/8 OD

ELECTRICAL SPECIFICATIONS BY DOOR MANUFACTURER									
MODEL NUMBER	FANS AMPS	T-12 LIGHT AMPS ONE END*	T-12 LIGHT AMPS BOTH ENDS	T-8 LIGHT AMPS	STD. DOOR	MULLION	FRAME	FRAMELESS DOOR	TOTAL FRAME MULLION STD. DOOR
ANTHONY DOORS									
2RMCP30FL	2.4	1.65	2.4	1.45	0.72	0.43	0.95	0	2.10
3RMCP30FL	3.2	2.4	3.3	1.94	1.08	0.86	1.12	0	3.06
4RMCP30FL	4	3.3	4.05	2.42	1.44	1.29	1.18	0	3.91
5RMCP30FL	4.8	4.05	4.8	2.91	1.8	1.72	1.41	0	4.93
ARDCO DOORS									
2RMCP30FL	2.4	1.65	2.4	1.89	0.26	0.54	0.36	0	1.16
3RMCP30FL	3.2	2.4	3.3	2.34	0.39	0.81	0.44	0	1.64
4RMCP30FL	4	3.3	4.05	3.06	0.52	1.08	0.53	0	2.13
5RMCP30FL	4.8	4.05	4.8	3.51	0.65	1.35	0.6	0	2.6
* STANDARD FOR CASE IN A LINE-UP									
VOLTAGE: 115 VOLTS 1 PHASE 60 HZ.									
BTU/HR ENERGY REQUIREMENTS: FOR PRODUCT TEMPERATURE OF 37°F TO 41°F WITH 20°F EVAPORATOR									
# OF DOORS	BTU/HR	BTU/HR RATING BASED ON 800 MA T-12 LIGHTING AND PARALLEL RACK SYSTEM. MULTIPLY BY 1.04 FOR CONVENTIONAL SYSTEM.							
2	2735	CASE DESIGNED TO OPERATE IN AN AMBIENT OF 75°F OR LOWER AND RELATIVE HUMIDITY OF 55% OR LOWER							
3	3705								
4	4650								
5	5625								

Zero Zone, Inc. • 110 N. Oakridge Dr.
North Prairie, WI 53153-9792
1-800-247-4496 • FAX: 1-262-392-6450
www.zero-zone.com

All specifications are subject to change without notice.