

ELECTRICAL				CONTROL						
MODEL		INCOMING SUPPLY	MIN CIRCUIT AMPS	AMPS RLA	DEFROST CUT-OUT	CUT-OUT	DIFF.	H.P.	REF.	CHARGE (LBS.)
COOLERS										
2RMCC-SC	W/O EVAP HEATER	115V-1PH-60HZ	15	13.01	OFF CYCLE	34° F	4° F	1/2	R22	5 LBS.
2RMCC-SC	WITH EVAP HEATER	115V-1PH-60HZ	25	21.34	OFF CYCLE	34° F	4° F	1/2	R22	5 LBS.
2RMCC-SC	WITH EVAP HEATER	115-208/230V-1PH-60HZ	20	13.01	OFF CYCLE	34° F	4° F	1/2	R22	5 LBS.
3RMCC-SC	W/O EVAP HEATER	115-208/230V-1PH-60HZ	15	14.30	OFF CYCLE	34° F	4° F	3/4	R22	6 LBS.
3RMCC-SC	WITH EVAP HEATER	115-208/230V-1PH-60HZ	20	17.86	OFF CYCLE	34° F	4° F	3/4	R22	6 LBS.
3RMCC-SC	W/O EVAP HEATER	115V-1PH-60HZ	30	23.34	OFF CYCLE	34° F	4° F	3/4	R22	6 LBS.
3RMCC-SC	WITH EVAP HEATER	115V-1PH-60HZ	35	31.67	OFF CYCLE	34° F	4° F	3/4	R22	6 LBS.

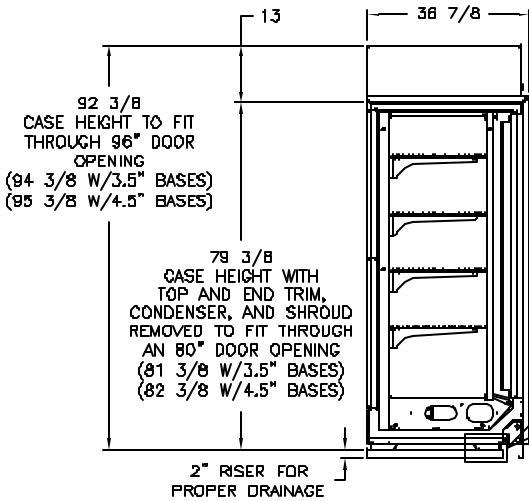
FREEZERS										
2RMZC-SC	WITH EVAP HEATER	115-208/230V-1PH-60HZ	20	17.18	47° F	-10° F	3° F	1	R404A	5 LBS.
3RMZC-SC	WITH EVAP HEATER	115-208/230V-1PH-60HZ	25	21.30	47° F	-10° F	3° F	1 1/2	R404A	8 LBS.

CUT-N = CUT-OUT + DIFF.

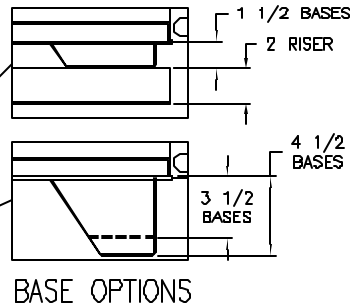
INSTALLER NOTE:

SECURE PUMP DISCHARGE TUBE TO CONDENSATE EVAPORATOR OVERFLOW TUBE WITH TIE WRAP.

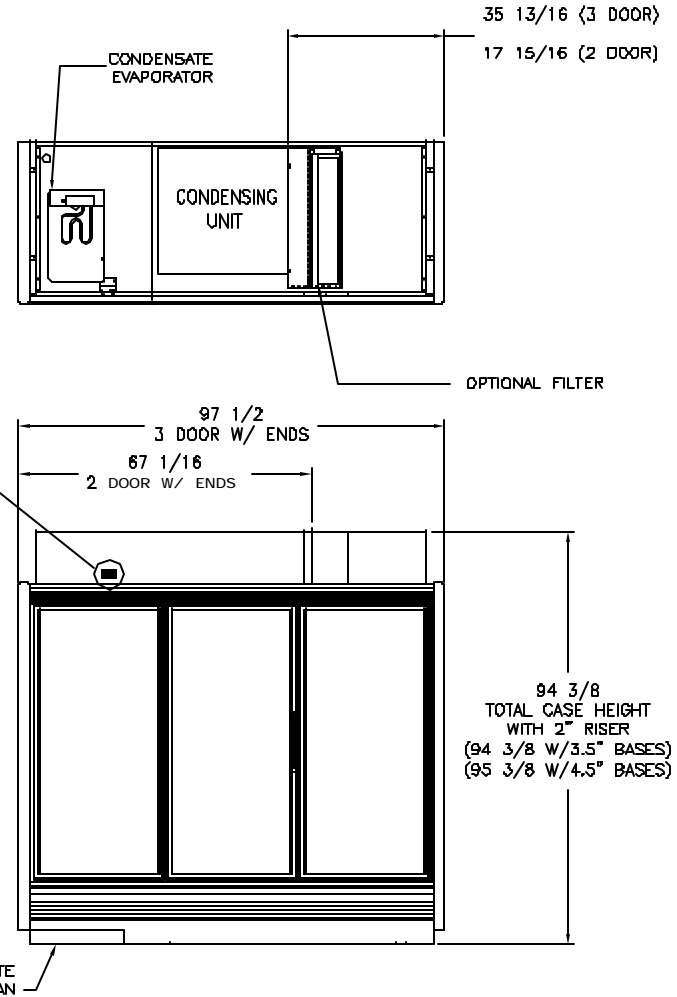
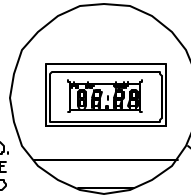
CONNECT INCOMING SUPPLY TO THE CONDENSER ELECTRICAL BOX.



COOLER AND FREEZER



DIGITAL DISPLAY VIEWED FROM OUTSIDE THE SHROUD. IT IS NOT ATTACHED TO THE SHROUD IN CASE ACCESS TO CONDENSING UNIT IS NEEDED.



SP-0451 REV B

TOLERANCES U.O.S			H	G	F	E	D	C	B	A	NO	REVISIONS			ECN NO. DATE BY		SCALE		NONE		DRAWN BY PW DATE 3/14/02 CHECKED BY		DRAWING NO. SP-0451 REV. LVL. B	
FRACTIONAL	DECIMAL	ANGULAR																						
D DESIGNATES	+ 1/8	±																						
C DESIGNATES	± 1/16																							
B DESIGNATES	± 1/32																							
A DESIGNATES	± 1/64																							
ALL DIMENSIONS ARE IN INCHES UNLESS OTHERWISE NOTED			EXTENSIVE REV DN TABLE FOR AMPERAGES, (DWG NAME) ELEC RATINGS WAS 1.5" BASE			6658	2/20/04	BK	DRAWN BY PW DATE 3/14/02 CHECKED BY		DRAWING NO. SP-0451 REV. LVL. B													
OTHERWISE NOTED			NEW ISSUE			5782	3/20/02	PW	SCALE		NONE													



REMOTE SELF-CONTAIN ELEC RATINGS