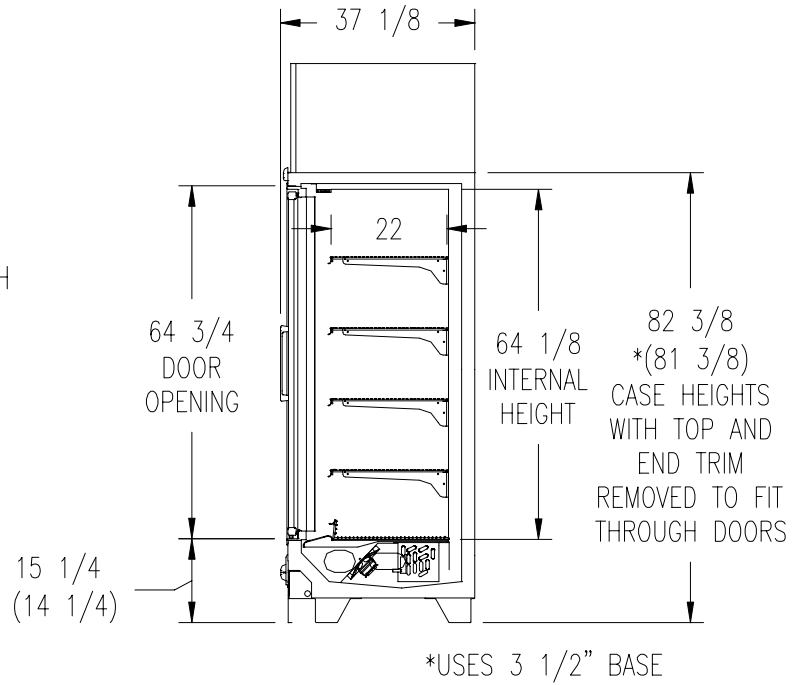
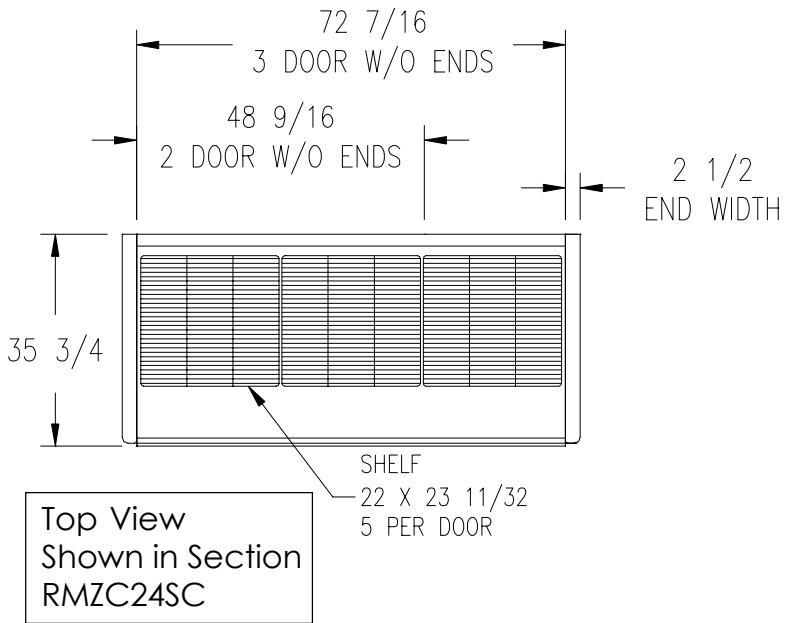
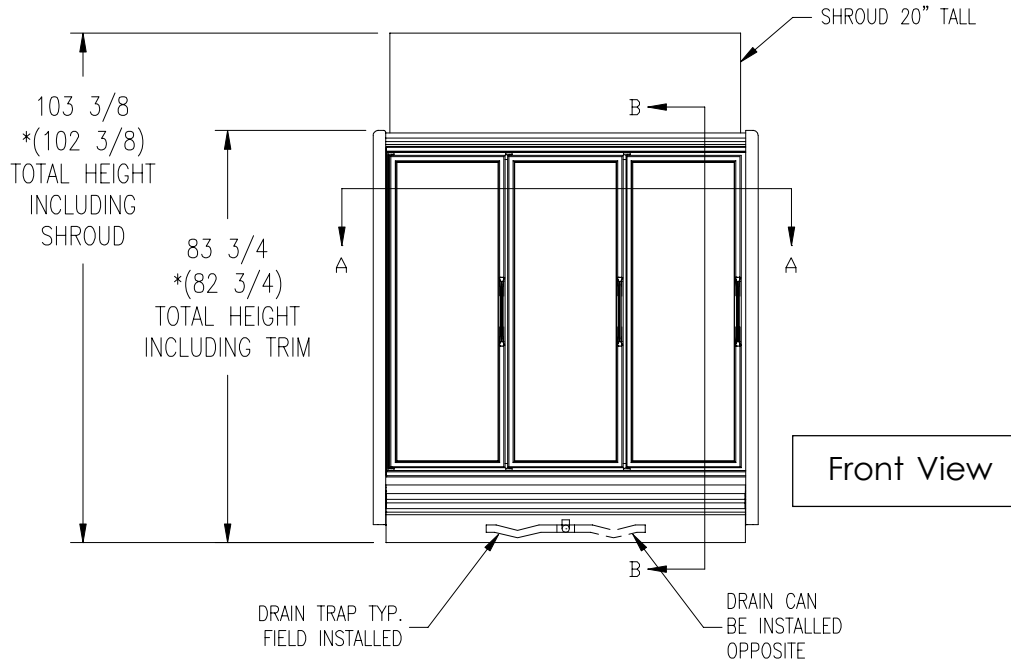




# RMZC24SC SPECIFICATION SHEET



Side View

Zero Zone, Inc. • 110 N. Oakridge Dr.  
North Prairie, WI 53153-9792  
1-800-247-4496 • FAX: 1-262-392-6450  
www.zero-zone.com

All specifications are subject to change without notice.



# RMZC24SC SPECIFICATION SHEET

CAPACITY & WEIGHT SPECIFICATIONS		
MODEL NUMBER	CAPACITIES	
	USABLE CUBIC FEET	SHELVING NET SQUARE FOOTAGE
2RMZC24SC	39.7	35.0
	WEIGHT IN POUNDS*	
	880 (ESTIMATE)	
3RMZC24SC	59.1	52.5
	WEIGHT IN POUNDS*	
	1,130 (ESTIMATE)	

\*WEIGHT BASED ON UNCRATED CASES WITH ENDS AND FULLY SHELVED.

ELECTRICAL SPECIFICATIONS							
MODEL NUMBER	FANS AMPS	T-8 LIGHTS AMPS	T-10 LIGHT AMPS	ANTI-SWEAT HEATERS	DEFROST HEATER AMPS 208/230V-1-60HZ.	CONDENSING UNIT R-404a JH-0150L6B 208/230V-1-60 HZ.	CONDENSATE PUMP AND HEATED PAN 115V-1-60HZ
<b>ANTHONY DOORS</b>							
2RMZC24SC	0.68	1.45	2.25	3.99	5.3	19.3	1.6
2RMZC24SC	1.02	1.94	3	5.71	7.9	19.3	1.6
SUBTRACT 0.19 AMPS PER DOOR FOR PSC FAN MOTORS VOLTAGE: 115 VOLTS 1 PHASE 60 HZ. FOR FANS, LIGHTS, ANTI-SWEAT HEATERS AND HEATED PAN 208/230 VOLTS 1 PHASE 60 HZ. FOR CONDENSING UNIT AND DEFROST HEATER							
<b>CASE DESIGNED TO OPERATE IN AN AMBIENT OF 75°F OR LOWER AND RELATIVE HUMIDITY OF 55% OR LOWER.</b>							

Zero Zone, Inc. • 110 N. Oakridge Dr.  
 North Prairie, WI 53153-9792  
 1-800-247-4496 • FAX: 1-262-392-6450  
[www.zero-zone.com](http://www.zero-zone.com)

All specifications are subject to change without notice.