



Crystal Merchandiser® RVMC24RL Rear Load Specs

Medium Temp Rear Load Reach-Ins with 24" x 74" CoolView® Ultra™ Doors
 RVMC24RL-(B,D,P,M): RL=Rear Load (B=Beverage, D=Dairy/Deli, P=Produce, M=Meat)

Refrigeration Data ¹

Refrigeration	Lineup Data		Individual Case Data (Includes 1 Pair of End Panels)			
	Per Door Avg		2-Door	3-Door	4-Door	6-Door
Evaporator Temperature (°F) ²	28		28	28	28	28
Baseline Btu/h ^{3,4}	410		930	1,360	1,740	2,560
Discharge Air Temperature (°F) (w/ 8°F Superheat)	33		33	33	33	33
Btu/h Adders	Per Door Avg					
Rail Heated Doors (Zero Zone CoolView Ultra)	10					
Rail & Glass Heated Doors (Zero Zone CoolView Ultra)	30					
Optional Glass Windowed End Panel (Each) ⁵	410					

Glycol Data ⁶	2-Door	3-Door	4-Door	6-Door
Flow Rate (GPM)	0.6	0.8	1.2	1.8
Pressure Drop (PSIG)	2.0	3.3	6.1	5.8

Electrical & Energy Data ⁷

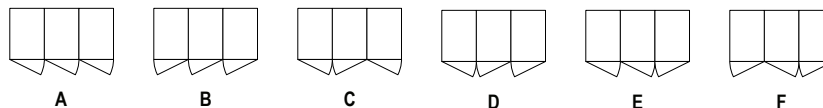
Fan Motors (115V) ⁸	Lineup Data		Individual Case Data (Includes 1 Pair of End Panels)							
	Per Door Avg		2-Door		3-Door		4-Door		6-Door	
High Efficiency Electronic (ECM or SSC)	Amps	Watts	Amps	Watts	Amps	Watts	Amps	Watts	Amps	Watts
Same-Swing Doors (Fig. 1: Options A & B)	0.42	8	0.84	15	0.84	22	0.84	25	1.26	31
Lighting System (120V) (Zero Zone ChillBrite® 4234)	Per Door Avg		2-Door		3-Door		4-Door		6-Door	
French-Swing Doors (Fig. 1: Options C, D, E, F for 3-Door)	Amps	Watts	Amps	Watts	Amps	Watts	Amps	Watts	Amps	Watts
Same-Swing Doors (Fig. 1: Options A & B)	0.16	19	0.33	39	0.48	58	0.64	77	1.00	115
French-Swing Doors (Fig. 1: Options C, D, E, F for 3-Door)	0.15	18	0.30	36	0.53	64	0.60	72	0.90	108
Anti-Sweat Heat (115V) ⁹	Per Door Avg		2-Door		3-Door		4-Door		6-Door	
No-Energy Doors (Zero Zone CoolView Ultra)	Amps	Watts	Amps	Watts	Amps	Watts	Amps	Watts	Amps	Watts
No-Energy Doors (Zero Zone CoolView Ultra)	0.00	0	0.00	0	0.00	0	0.00	0	0.00	0
Rail Heated Doors (Zero Zone CoolView Ultra)	0.05	6	0.09	10	0.14	16	0.19	22	0.28	32
Rail & Glass Heated Doors (Zero Zone CoolView Ultra)	0.16	18	0.31	36	0.47	54	0.63	72	0.94	108

Physical Data

Refrigeration Piping: R-404A & R-448A ¹⁰	Outlet Size (in.)			
	2-Door	3-Door	4-Door	6-Door
Suction Line O.D. (Top Refrigeration Exit)	1/2	1/2	1/2	1/2
Liquid Line O.D.	3/8	3/8	3/8	3/8
Refrigeration Piping: CO2 ¹⁰	2-Door	3-Door	4-Door	6-Door
Suction Line O.D. (Top Refrigeration Exit)	3/8	3/8	3/8	3/8
Liquid Line O.D.	3/8	3/8	3/8	3/8

Case Calculations	Solid End Panel	Windowed End	2-Door	3-Door	4-Door	6-Door
Facings (ft. ²)	N/A	N/A	23.7	35.2	46.7	69.8
Packout (ft. ³) 22" Shelves	N/A	N/A	42.8	63.6	81.5	121.8
Packout (ft. ³) 24" Shelves	N/A	N/A	46.3	68.8	89.3	133.4
Weight (lbs.)	30	55	775	933	1,020	1,254

FIG. 1: 3-Door Configuration Options



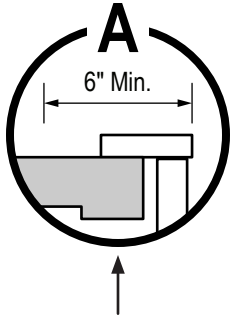
Notes:

- Crystal Merchandiser® Rear Load cases must be installed in front of the opening in a walk-in cooler.
- For high-glide refrigerants, use dew point for unit sizing. Adjust evaporator pressure as needed to maintain discharge air temperatures.
- Baseline Evaporator Btu/h based on parallel rack system, LED Lighting (Zero Zone ChillBrite® 4234), no-energy doors (Zero Zone CoolView® Ultra™), and ECM or SSC electronic fan motors.
- For condensing units (non-rack system), multiply total Btu/h rating by 1.08.
- Glass windowed end panels only available with 2 1/2" end panels.
- All glycol data based on 35% propylene glycol by weight, 20°F supply temperature, and 23°-24°F outlet temperature.
- Amps are based on electrical nameplate values. Watts are based on laboratory observations of actual energy use.
- 2 to 4-door cases use two fan motors. 6-door cases use three fan motors.
- Door (Anti-Sweat) Options: no-energy = no-heat glass and no-heat rails. Rail heat and glass heat available.
- Individual risers for circuits of more than one case require refrigeration line sizing by Zero Zone.

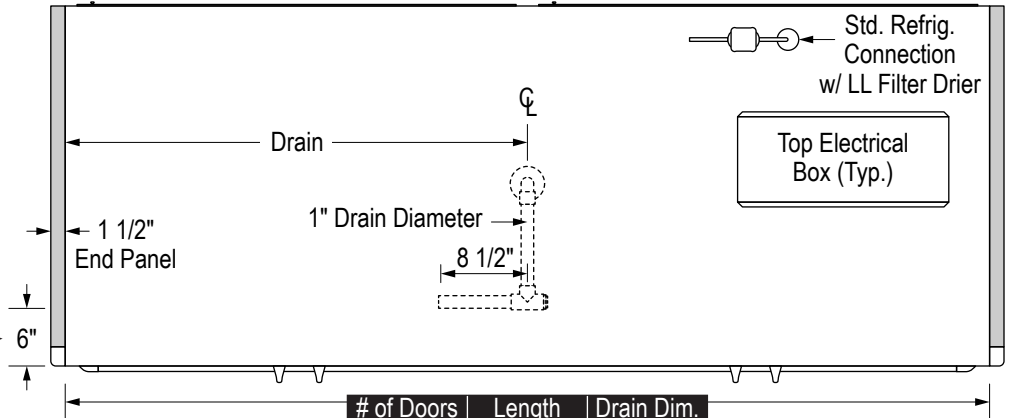


Crystal Merchandiser® RVMC24RL Rear Load Specs

Medium Temp Rear Load Reach-Ins with 24" x 74" CoolView® Ultra™ Doors
 RVMC24RL-(B,D,P,M): RL=Rear Load (B=Beverage, D=Dairy/Deli, P=Produce, M=Meat)

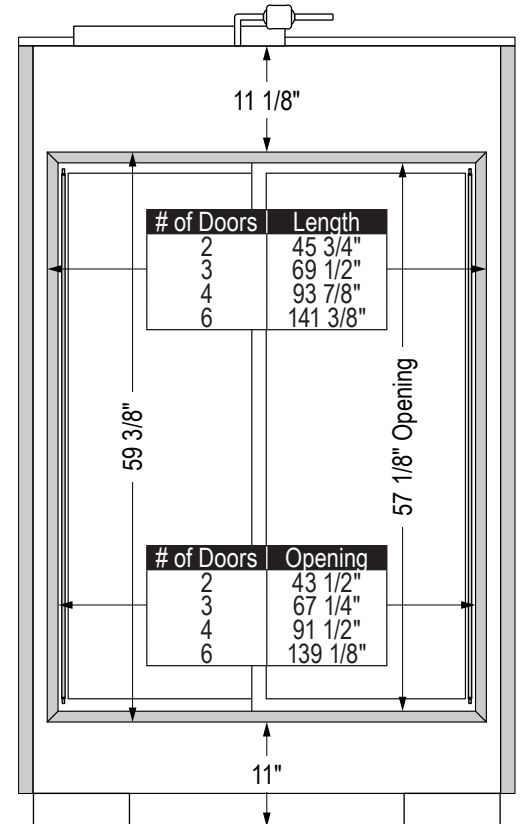
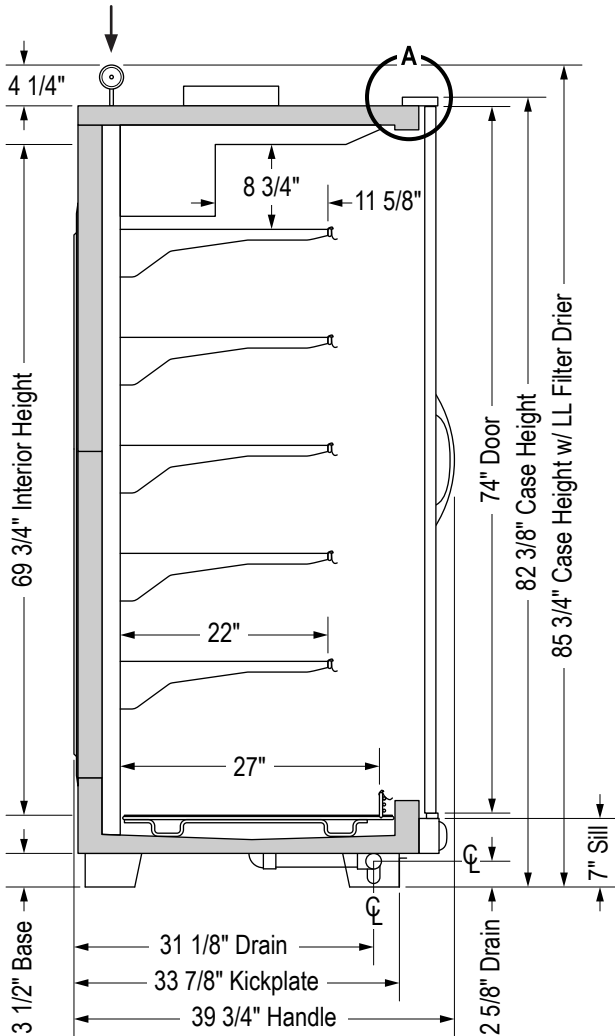


Building soffits must be set back at least 6" from the front of the doors to allow access to electrical wiring on the top of the case.



# of Doors	Length	Drain Dim.
2	48 3/4"	24 3/8"
3	72 1/2"	36 1/4"
4	96 3/8"	48 1/8"
6	143 7/8"	71 7/8"

Top refrigeration connection with LL Filter Drier increases case height by up to 4 1/4".



# of Doors	Length
2	45 3/4"
3	69 1/2"
4	93 7/8"
6	141 3/8"

# of Doors	Opening
2	43 1/2"
3	67 1/4"
4	91 1/2"
6	139 1/8"

SS-32-L

Specifications are subject to change without notice. All dimensions are nominal.
 Case designed to operate in an ambient temperature of 75°F and relative humidity of 55% or lower.

2/23/2024



Zero Zone, Inc.
 800-247-4496 • www.zero-zone.com
 © 2024 Zero Zone, Inc.

