



Crystal Merchandiser® RVMC30BC-D Bottom Coil Specs

Medium Temp Reach-Ins with 30" x 74" CoolView® Ultra™ Doors
RVMC30BC-D: BC=Bottom Coil-D=Dairy/Deli

Refrigeration Data

Refrigeration	Lineup Data		Individual Case Data (Includes 1 Pair of End Panels)			
	Per Door Avg		2-Door	3-Door	4-Door	5-Door
Evaporator Temperature (°F) ¹	28		28	28	28	28
Baseline Btu/h ^{2,3,4}	494		875	1,445	2,015	2,585
Discharge Air Temperature (°F) (w/ 8°F Superheat)	33		33	33	33	33
Btu/h Adders	Per Door Avg					
Rail Heated Doors (Zero Zone CoolView Ultra)	10					
Rail & Glass Heated Doors (Zero Zone CoolView Ultra)	40					
Optional Glass Windowed End Panel (Each) ⁵	410					

Electrical & Energy Data ^{3,6}

Electrical & Energy Data	Lineup Data		Individual Case Data (Includes 1 Pair of End Panels)							
	Per Door Avg		2-Door		3-Door		4-Door		5-Door	
Fan Motors (115V) ⁷	Amps	Watts	Amps	Watts	Amps	Watts	Amps	Watts	Amps	Watts
High Efficiency Electronic (ECM or SSC)	0.42	24	0.84	48	1.26	72	1.68	96	2.10	120
Lighting System (120V)	Amps	Watts	Amps	Watts	Amps	Watts	Amps	Watts	Amps	Watts
LED Lighting (Zero Zone ChillBrite 4234)	0.16	19	0.32	39	0.48	58	0.63	77	0.79	96
Anti-Sweat Heat (115V) ^{8,9}	Amps	Watts	Amps	Watts	Amps	Watts	Amps	Watts	Amps	Watts
No-Energy Doors (Zero Zone CoolView Ultra)	0.00	0	0.00	0	0.00	0	0.00	0	0.00	0
Rail Heated Doors (Zero Zone CoolView Ultra)	0.05	6	0.10	12	0.16	18	0.21	24	0.26	30
Rail & Glass Heated Doors (Zero Zone CoolView Ultra)	0.18	21	0.37	42	0.55	63	0.73	84	0.91	105

Physical Data

Physical Data	Outlet Size (in.)				
	2-Door	3-Door	4-Door	5-Door	
Refrigeration Piping: R-404A & R-448A ¹⁰					
Suction Line O.D. (Standard Refrigeration Exit)	1/2	1/2	1/2	1/2	
Suction Line O.D. (Top Refrigeration Exit)	3/8	3/8	1/2	1/2	
Liquid Line O.D.	1/4	1/4	3/8	3/8	
Refrigeration Piping: CO ₂ ¹⁰					
Suction Line O.D. (Standard Refrigeration Exit)	3/8	3/8	3/8	3/8	
Suction Line O.D. (Top Refrigeration Exit)	3/8	3/8	3/8	3/8	
Liquid Line O.D.	1/4	1/4	1/4	1/4	
Case Calculations	Solid End Panel	2-Door	3-Door	4-Door	5-Door
Facings (ft. ²)	N/A	28.4	42.3	56.3	70.2
Packout (ft. ³) 22" Shelves ¹¹	N/A	51.5	76.7	101.9	127.1
Weight (lbs.)	55	755	1,055	1,420	1,800

Operating Set Points

Off-Cycle Defrost	R-404A	R-448A	CO ₂
Time Per Defrost (Minutes)	45	45	45
Drip Time (Minutes)	N/A	N/A	0
EPR Settings (psig)	52	55	461
Frequency (Per Day)	4	4	4

Notes:

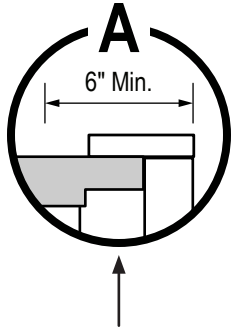
- For high-glide refrigerants, use dew point for unit sizing. Adjust evaporator pressure as needed to maintain discharge air temperatures.
- Baseline Evaporator Btu/h based on parallel rack system, LED Lighting (Zero Zone ChillBrite® 4234), no-energy doors (Zero Zone CoolView® Ultra™), and ECM or SSC electronic fan motors.
- Case designed for Dairy/Deli application. For other applications, consult the factory.
- For condensing units (non-rack system), multiply total Btu/h rating by 1.08.
- Glass windowed end panels only available with 2 1/2" end panels.
- Amps are based on electrical nameplate values. Watts are based on laboratory observations of actual energy use.
- One fan motor per door.
- Door (Anti-Sweat): no-energy = heated rails and mullions.
- Door (Anti-Sweat) Options: no-energy = no-heat glass and no-heat rails. Rail heat and glass heat available.
- Individual risers for circuits of more than one case require refrigeration line sizing by Zero Zone.
- 115V-1PH-60HZ; black power, white neutral, green ground. Buck/ boost transformer available for low voltage conditions.



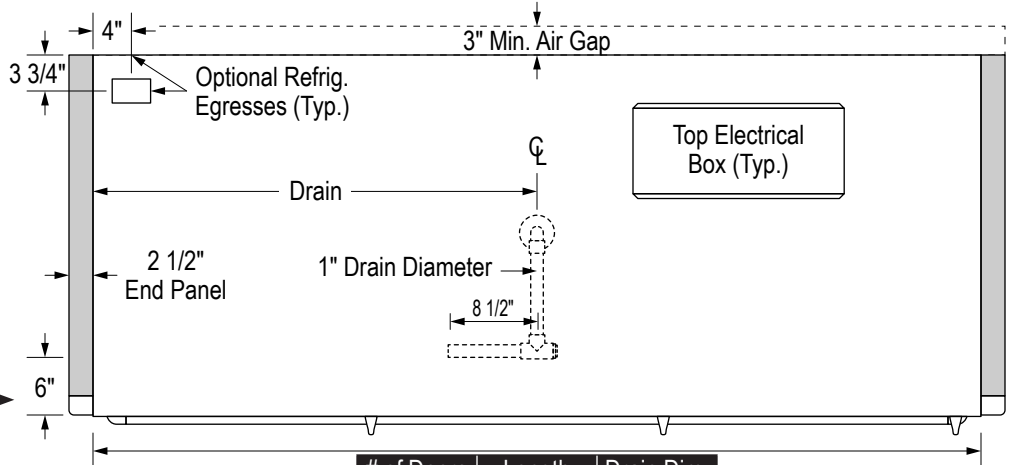
Crystal Merchandiser® RVMC30BC-D Bottom Coil Specs

Medium Temp Reach-Ins with 30" x 74" CoolView® Ultra™ Doors

RVMC30BC-D: BC=Bottom Coil-D=Dairy/Deli

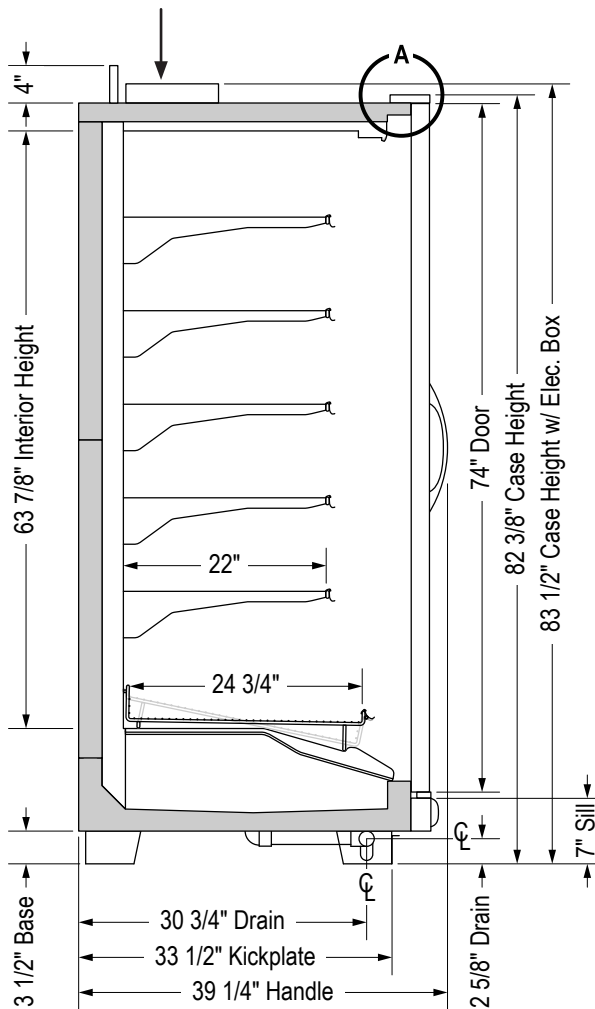


Building soffits must be set back at least 6" from the front of the doors to allow access to electrical wiring on the top of the case.



# of Doors	Length	Drain Dim.
2	62 1/8"	31"
3	92 1/2"	46 1/4"
4	123"	61 1/2"
5	153 3/8"	76 3/4"

Optional top refrigeration connection increases case height by up to 4".



SS-133-B

Specifications are subject to change without notice. All dimensions are nominal.
Case designed to operate in an ambient temperature of 75°F and relative humidity of 55% or lower.

11/20/2023



Zero Zone, Inc.
800-247-4496 • www.zero-zone.com
© 2023 Zero Zone, Inc.

