



RVZC3067 & RVZC3067BB Specifications

Low Temp Reach-Ins with 67" Doors

Note: Effective 1/1/12, all Zero Zone display cases manufactured for shipment within the U.S. meet or exceed current DOE energy requirements.

ENERGY DATA

Refrigeration <small>(see note #1 for components included in baseline Btuh)</small>	LINEUP DATA		INDIVIDUAL CASE DATA (Includes 1 Pair of End Panels)								
	Per Door Avg.		2-Door		3-Door		4-Door		5-Door		
	F.F.	I.C.	F.F.	I.C.	F.F.	I.C.	F.F.	I.C.	F.F.	I.C.	
Evaporator Temperature (°F)	-7	-16	-7	-16	-7	-16	-7	-16	-7	-16	
Baseline Btuh ^{1,2,3}	950	1,020	2,290	2,460	3,170	3,410	4,080	4,390	4,980	5,370	
Discharge Air Temp. (°F) (w/ 8°F Superheat)	-3	-12	-3	-12	-3	-12	-3	-12	-3	-12	
Btuh Deducts		Btuh									
Back-To-Back (Model BB)	-75	-85									
No-Energy Doors	-30	-30									
Btuh Adders		Btuh									
T-8 Electronic Lighting**	120	120									
Standard-Energy Doors**	200	210									
ELM HG2 (w/ Heated Glass)	20	20									
Optional Glass-Windowed End Panel - Each	900	1,000									
Fan Motors (115V) ^{4,5}		Amps	Watts	Amps	Watts	Amps	Watts	Amps	Watts	Amps	Watts
High Efficiency Electronic (SSC/ECM)	0.30	23	0.60	46	0.90	69	1.20	92	1.50	115	
Permanent Split Capacitor (PSC)**	0.26	37	0.52	74	0.78	111	1.04	148	1.30	185	
Lighting System (120V) <small>(consult factory for other LED options)</small>		Amps	Watts	Amps	Watts	Amps	Watts	Amps	Watts	Amps	Watts
LED Lighting (Anthony OptiMax Pro24) Low Power	0.15	18	0.30	36	0.45	54	0.60	72	0.75	90	
T-8 Electronic Lighting**	0.58	70	1.45	174	1.94	233	2.42	290	2.91	349	
Anti-Sweat Door Heaters (115V)		Amps	Watts	Amps	Watts	Amps	Watts	Amps	Watts	Amps	Watts
Anthony 101 (Standard-Energy Doors)** ²	1.69	195	3.48	401	5.23	602	6.09	794	8.06	989	
Anthony ELM HG2 (w/ Heated Glass) ²	0.85	98	1.87	215	2.70	311	3.55	408	4.40	506	
Anthony ELM (Low-Energy Doors) ²	0.76	88	1.69	194	2.43	279	3.19	367	3.95	454	
Anthony ELM II (No-Energy Doors) ²	0.80	93	1.83	211	2.66	307	3.40	391	4.16	479	
Defrost Heaters (208V)		Amps	Watts	Amps	Watts	Amps	Watts	Amps	Watts	Amps	Watts
Defrost Heater ⁶	4.00	832	8.00	1,664	12.00	2,496	16.00	3,328	20.00	4,160	

** Not available in the U.S. market for equipment manufactured after December 31, 2011.

Notes:

- Baseline Evaporator Btuh based on parallel rack system, LED lighting (Optimax Pro24 Low Power), low-energy doors (ELM), and SSC electronic fan motors.
- Door Options: Standard-Energy and ELM HG2 w/ Heated Glass = heated glass and rails; Low-Energy = no-heat glass and heated rails; No-Energy = no-heat glass and no-heat rails. All options have frame heat.
- For condensing units (non-rack system), multiply total Btuh rating by 1.06.
- Amps are based on electrical nameplate values, watts are based on laboratory observations of actual energy use.
- One fan motor per door.
- Electric Defrost: 1 per day, 19 minutes frozen food, 28 minutes ice cream. Failsafe 45 minutes. Refer to the Installation & Operation Manual for details.
- Hot Gas Defrost: 1 per day, 12 to 22 minutes. Failsafe 30 minutes. Refer to the Installation & Operation Manual for details.

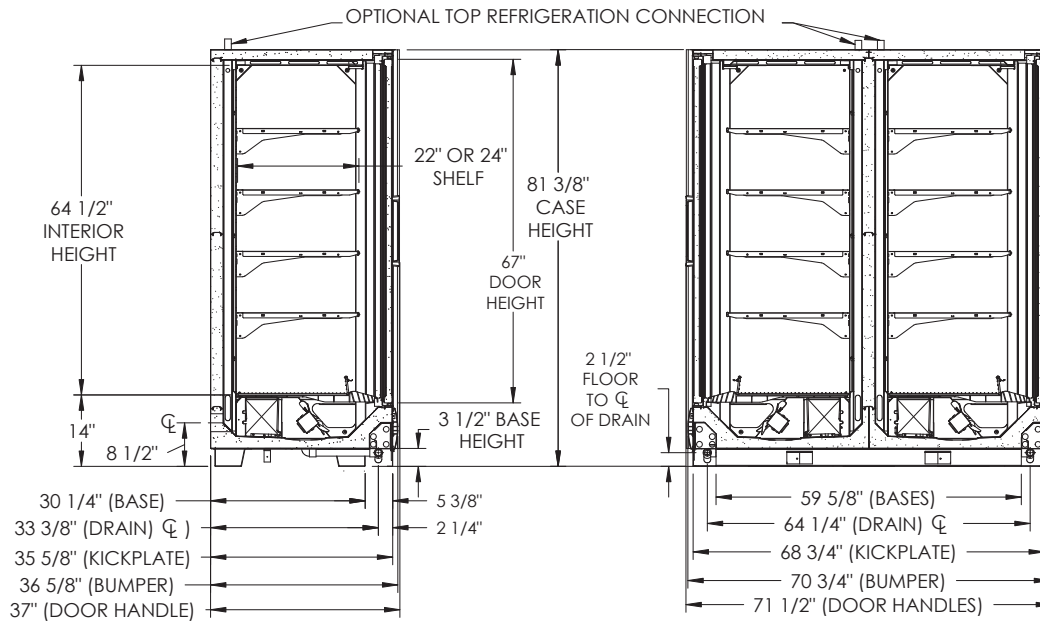
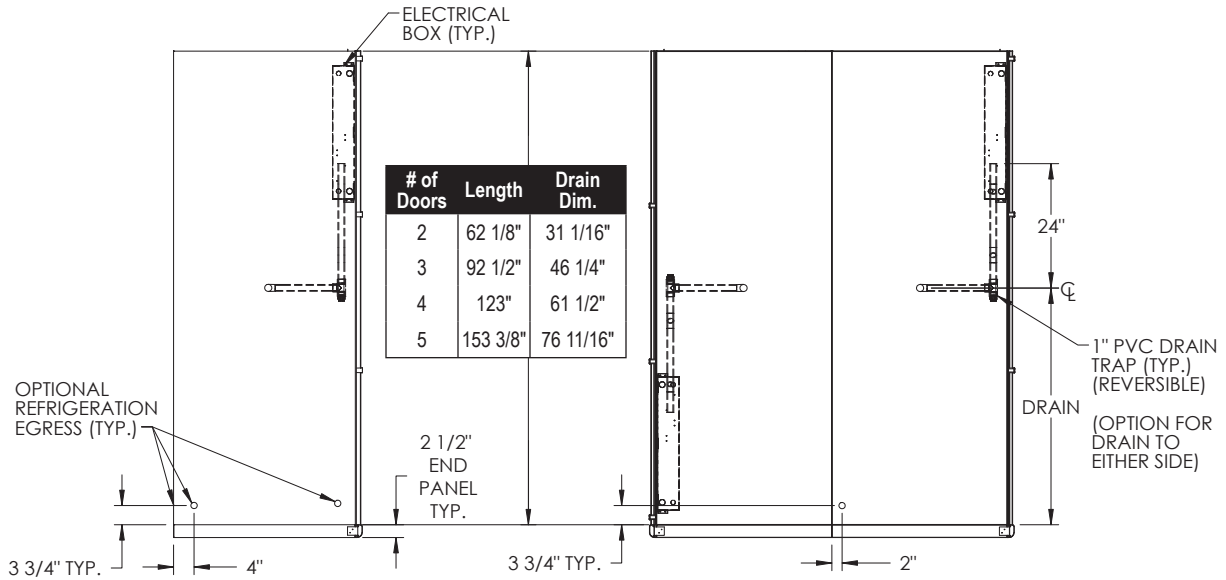
PHYSICAL DATA

Baseline R-404A Refrigeration Piping	Outlet Size (in.)	Number of Doors	Weight (lbs.)		Case Capacity		
			RVZC3067	RVZC3067BB	Facings (ft. ²)	Packout (ft. ³)	22"/24" Shelves
Suction Line O.D. (Std. Refrig. Exit)	7/8	2	690	1,380	27.8	51.0	55.6
2 to 5-Door Suction Line O.D. (Top Refrig)	5/8	3	945	1,890	41.4	76.0	82.9
		4	1,260	2,530	55.1	101.0	110.1
Liquid Line O.D. (Electric Defrost)	3/8	5	1,605	3,220	68.7	125.9	137.4
Liquid Line O.D. (Hot Gas Defrost)	1/2	End Panel	30	60	N/A	N/A	N/A



RVZC3067 & RVZC3067BB Specifications

Low Temp Reach-Ins with 67" Doors



- Top refrigeration connections or top electrical connections increase case height by up to 4 inches.
- BB (Back-to-Back) available in 2, 3, 4, and 5-door sizes.
- End Panels and Insulated Dividers = 2 1/2".
- All dimensions are nominal.

3/12/15

Specifications are subject to change without notice.
Case designed to operate in an ambient temperature of 75°F and relative humidity of 55% or lower.



Zero Zone, Inc. | 110 N Oakridge Drive | North Prairie, WI 53153-9792
Toll Free: 800-247-4496 | Fax: 262-392-6450
Zero-Zone.com

