

REVEAL MERCHANDISER® QUICK-START INSTALLATION GUIDE

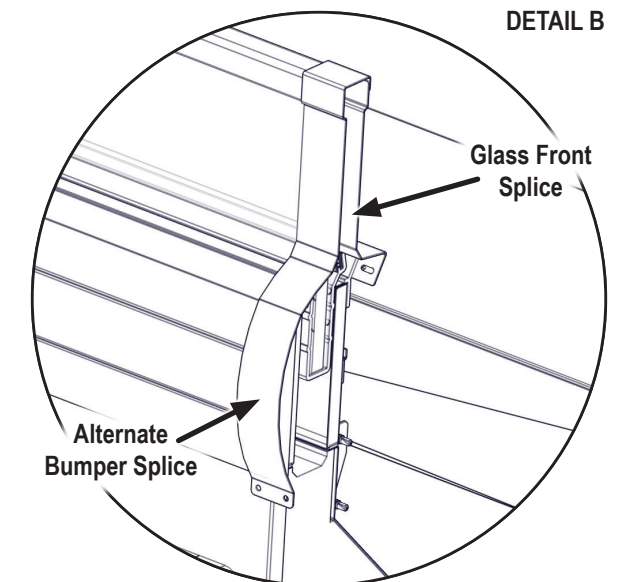
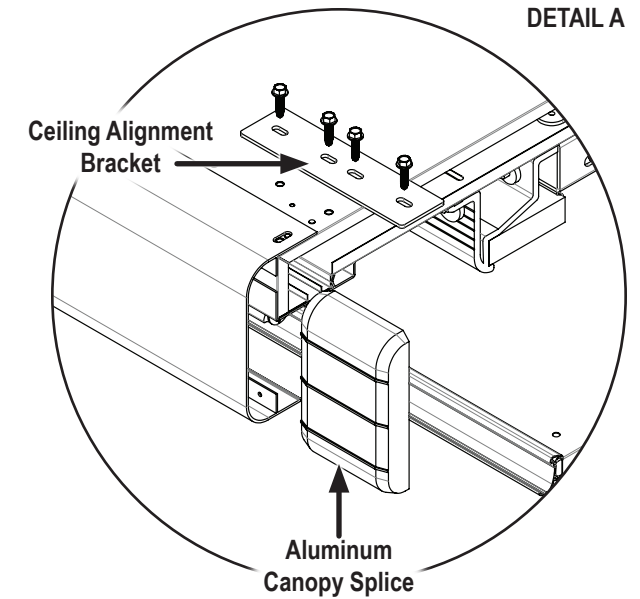
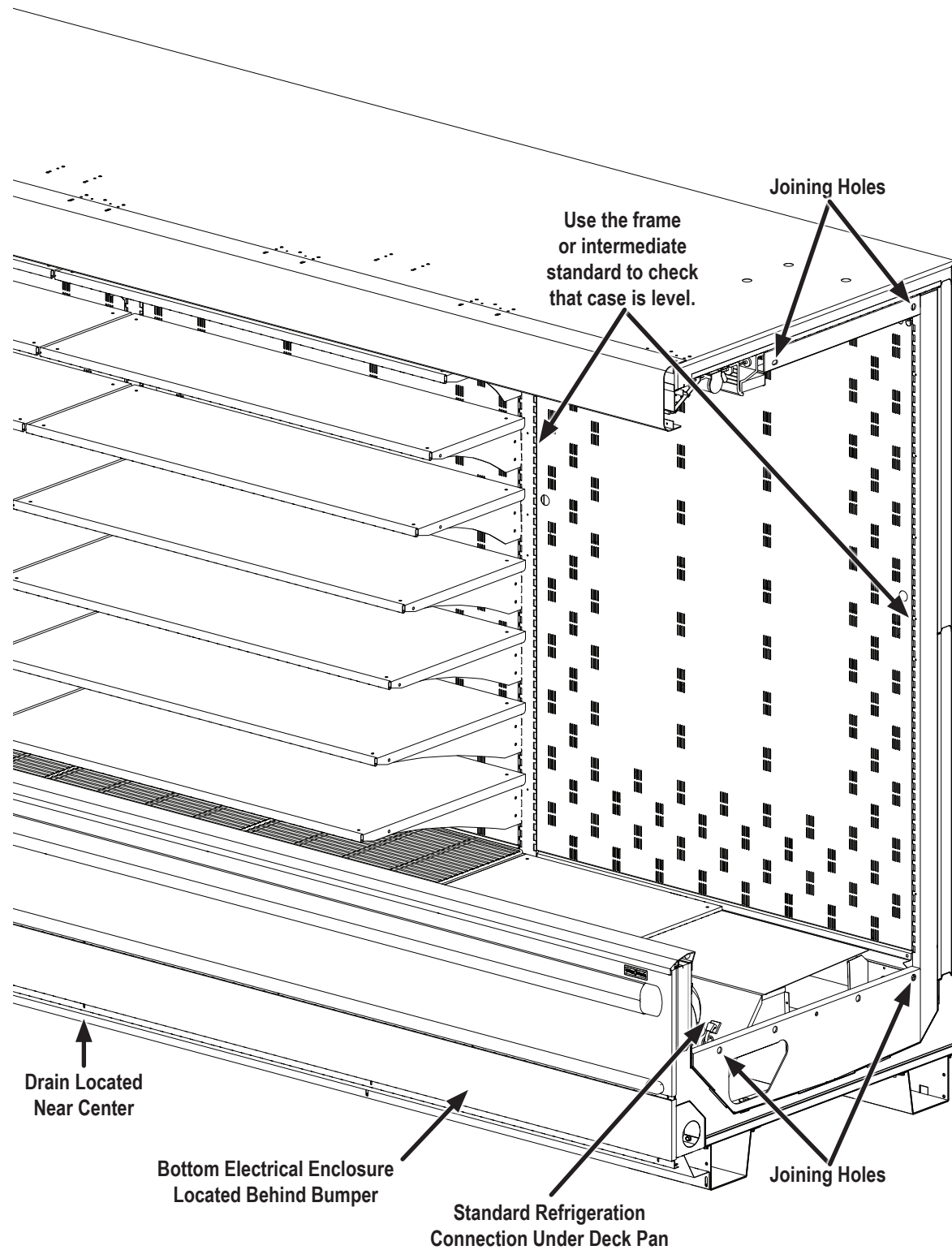
IMPORTANT!

Note: Leave protective coating on canopy, hand rail, and honeycomb holder until installation and piping are completed. Rear ducts do not need to be removed for case installation.

Instructions:

These instructions are not a complete manual. Access the Installation & Operation Manual for additional detail at www.zero-zone.com or by scanning the QR code.

1. Level, shim, and caulk cases according to the installation and operation manual. Cases must be level, square, and straight with shims placed under all bases. Apply Butyl caulk to only 1 of 2 cases to be joined.
2. Slide cases together. Only push on the sheet metal of the bottom foamed panel. Be careful to not damage the bases.
3. To access joining holes, remove shelves, bottom wire racks, deck pans, and return air grills from the right end of the left case, as shown in the figure to the left.
4. Align front lower trim and rear standards. Use alignment holes to adjust cases front-to-back.
5. Install and hand tighten the joining bolts and nuts.
6. Confirm front lower trim is aligned vertically and front-to-back. Tighten lower case joining bolts.
7. Install ceiling alignment bracket. For aluminum canopies, tap the splice to the adjoining canopy until they are aligned (**Detail A**). For stainless steel canopies, fit the shipped-loose splice over the canopies and screw into place. For additional adjustment, the top canopy screws can be loosened so that the canopy can be moved front-to-back or side-to-side. After canopies are aligned, tighten upper case joining bolts.
8. Check case squareness. Measure diagonally from the top right corner of the case to the bottom left corner, then measure between the opposite corners. The measurements should be within 1/8" of each other.
9. Check that the case is level by setting a 4' level against the end frame or intermediate standard.
10. After leveling the case, add 3/8" of shims under the front bases to offset the forward lean of a loaded case.
11. Apply NSF-approved caulk to the interior seams between the cases and between cases and end panels to comply with NSF certification requirements.
12. Install the drain tee, trap, and line to the outlet pipe under the case. The drain trap must be level, and the drain line must be pitched away from the case for proper drainage. Refer to the Hybrid™ Manual if your case uses a condensate pump and evaporation pan.
13. Refrigeration connections typically terminate inside the case. Other exit options may have been ordered, such as top or out back.
14. Access the bottom electrical enclosure (behind the bumper in the figure) for electrical components and LED power supplies. Top electrical connection options may have been ordered.
15. Install the hand rail splice. Remove the screw nearest the joint on the price tag molding. Insert the splice under the price tag molding and into the front edge of the hand rail. Bend splice tightly around the hand rail and fasten behind.
16. For cases with optional glass front, install a splice piece over the gap between the glass fronts and a splice piece for the alternate bumper (**Detail B**).
17. Install front and end kickplates with splices using provided fasteners and Tinnerman clips.
18. After case is wired and completely installed, install the lower bumper trim.



Documentation



Manuals, spec sheets, and instructions are available by scanning the QR Code here or on the interior case ceiling near the serial tag. Scan the QR Code with the camera on your mobile device or with a QR Code reader app. Or, use this URL to access the documentation: <https://www.zero-zone.com/ormc>.

Reveal Merchandiser® is a registered trademark of Zero Zone, Inc. in the United States.



ZERO ZONE, INC. • 800-247-4496 • ZERO-ZONE.COM
© 2024 Zero Zone, Inc. All Rights Reserved. • MAR 2024

66-0095 REV F